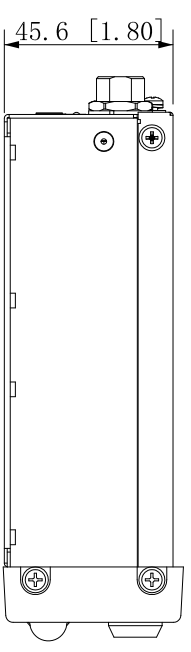
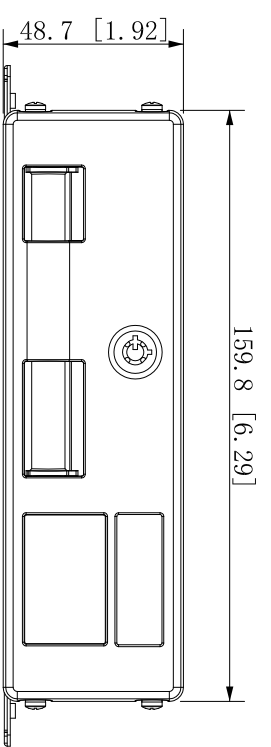
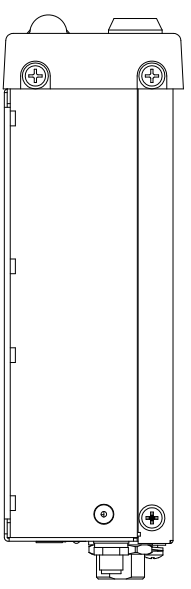
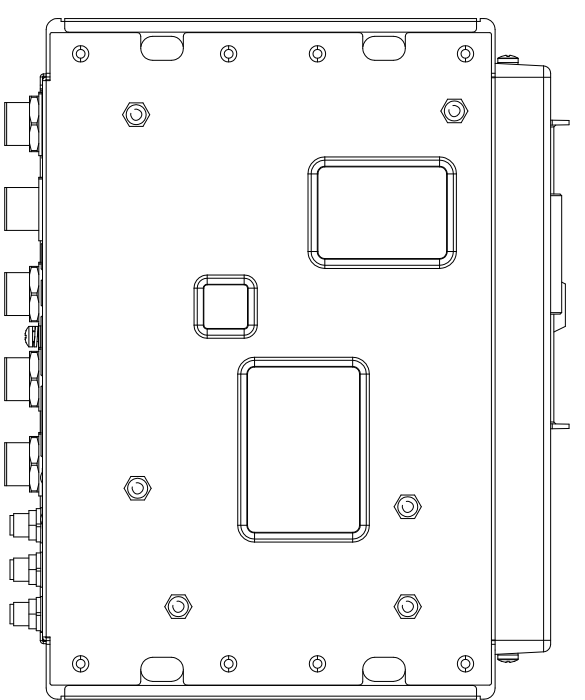
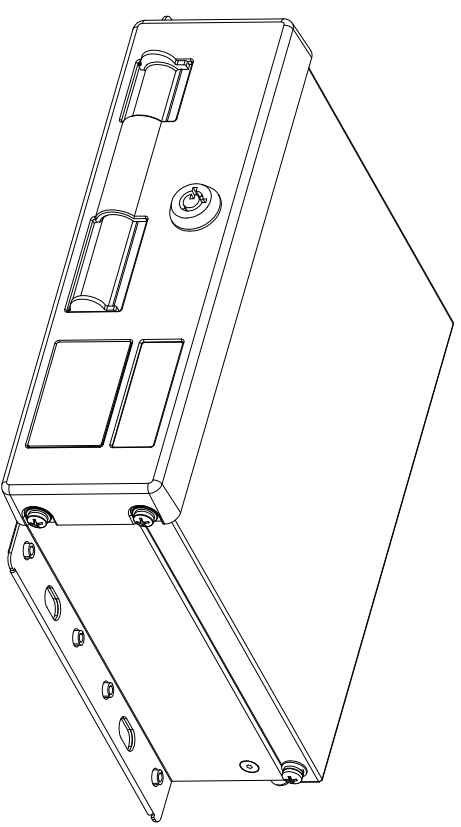
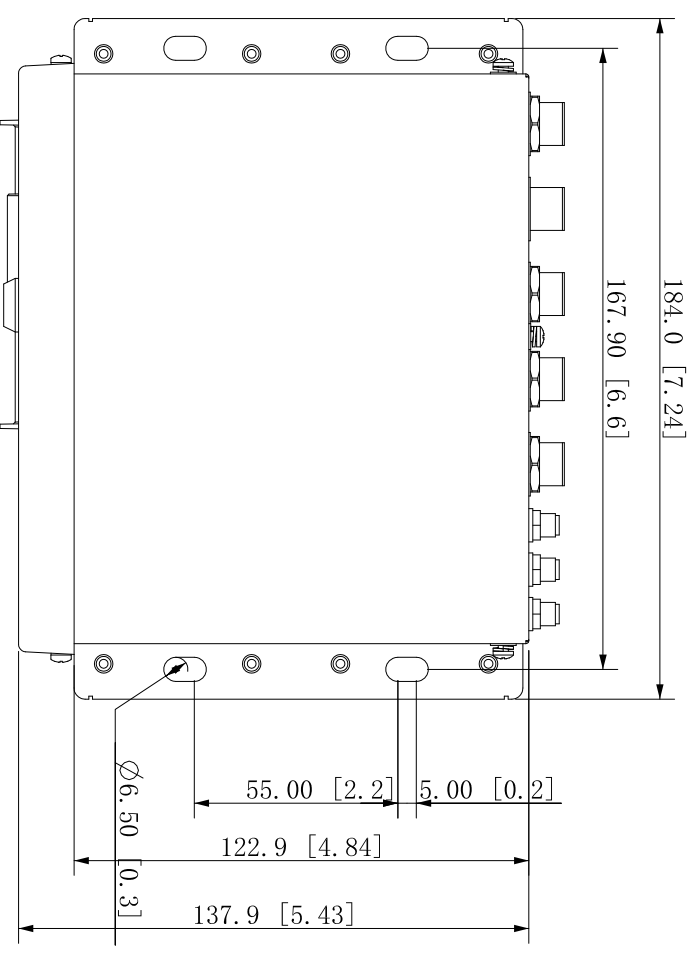


REVISIONS				7	8
REV	ZONE	MARK	DESCRIPTION	DATE	CHANGED



mm [inch]



.X	±0.2		ANG	±0.5		TITLE:	MXVR1004
.XX	±0.15					UNIT: S. mm	DWG NO.:
.XXX	±0.05					SCALE: 1:1	PART NO.:
THESE DIMENSIONS AND SPECIFICATIONS ARE THE PROPERTY OF ZHEJIANG DASHIANG TECHNOLOGY CO., LTD. AND SHALL NOT BE REPRODUCED, COPIED OR USED IN ANY MANNER WITHOUT THE PRIOR WRITTEN CONSENT OF ZHEJIANG DASHIANG TECHNOLOGY CO., LTD.						DATE:	DATE:
DRAWN:	DATE:	DATE:	DATE:	DATE:	DATE:	DATE:	DATE:
CHKD:	DATE:	DATE:	DATE:	DATE:	DATE:	DATE:	DATE:
STAD:	DATE:	DATE:	DATE:	DATE:	DATE:	DATE:	DATE:
APPD:	DATE:	DATE:	DATE:	DATE:	DATE:	DATE:	DATE:
						SHEET: 2 OF 3	