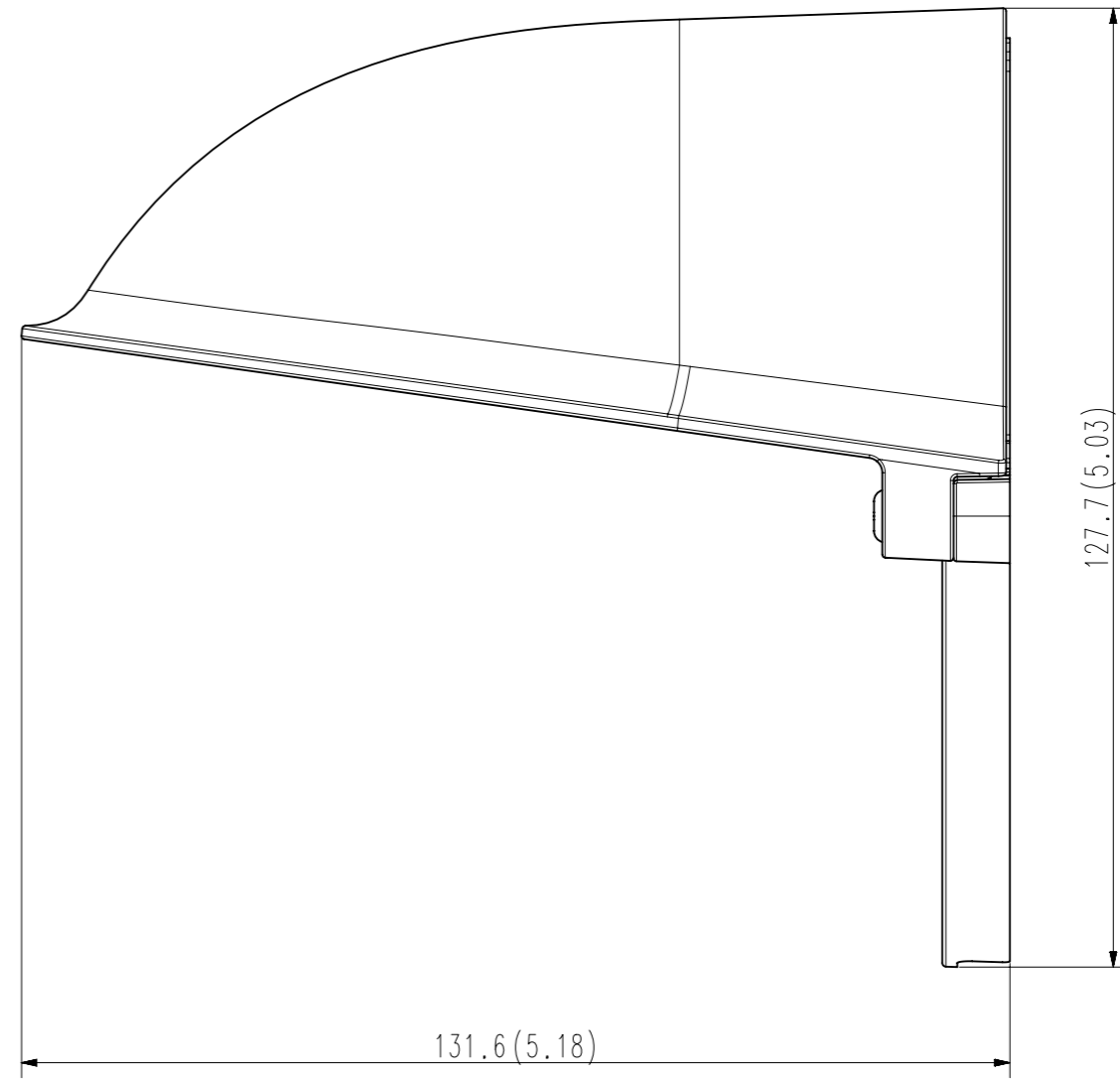
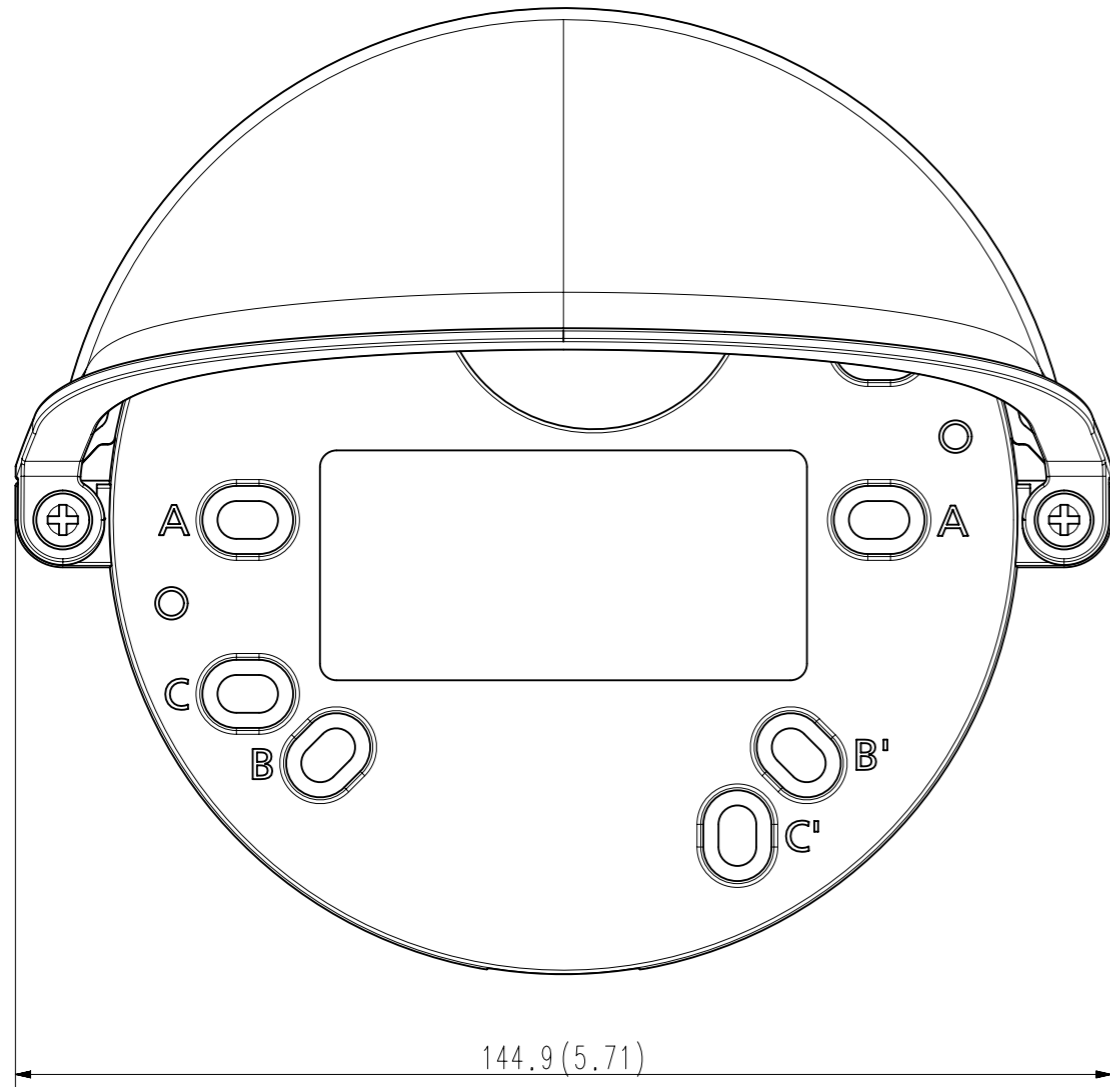


This parts should not contain any substances which are specified in AH60-0033K

NO	PART NAME	CODE NO.	MATERIAL	Q'TY	REMARK
1	ASSY_120WC	051412	MATERIAL	1	REMARK

mm(inch)



A3

CHANGE

STANDARD TOLERANCE					
DIV	Lvl 1	Lvl 2	Lvl 3	Lvl 4	Lvl 5
0-16	±0.05	±0.1	±0.1	±0.2	±0.3
16-63	±0.05	±0.1	±0.2	±0.3	±0.4
63-250	±0.1	±0.2	±0.3	±0.4	±0.4
250-1000	±0.2	±0.3	±0.4	±0.5	±0.6

UNIT	mm	DESIGN	CHECK	APPROVAL	PART NAME	ASSY_120WC
SCALE	1 / 1	Design	Check	Approval	MODEL NAME	MODEL NAME
		15.08.01	15.08.01	15.08.01	CODE NO.	051412

Hanwha Techwin