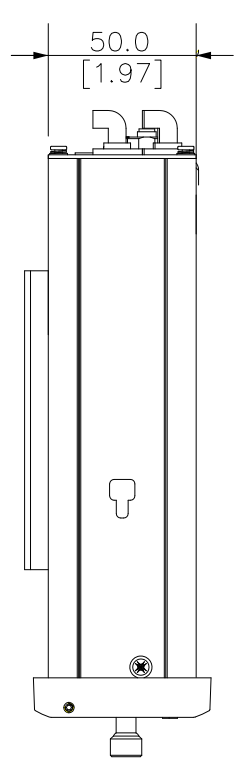
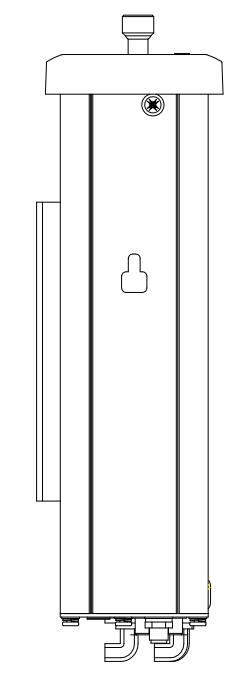
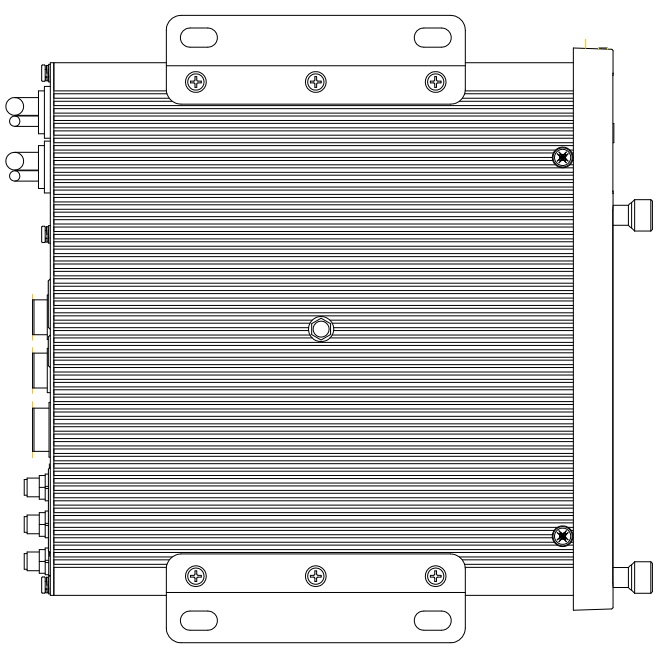
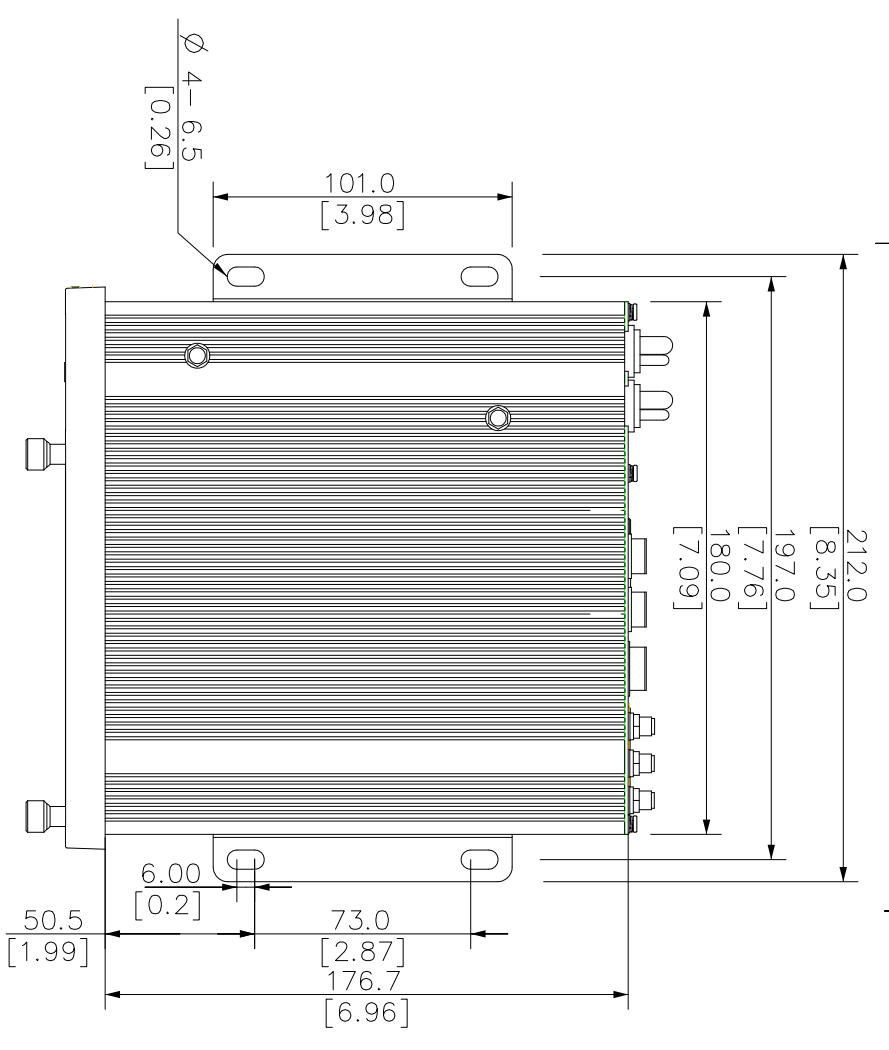
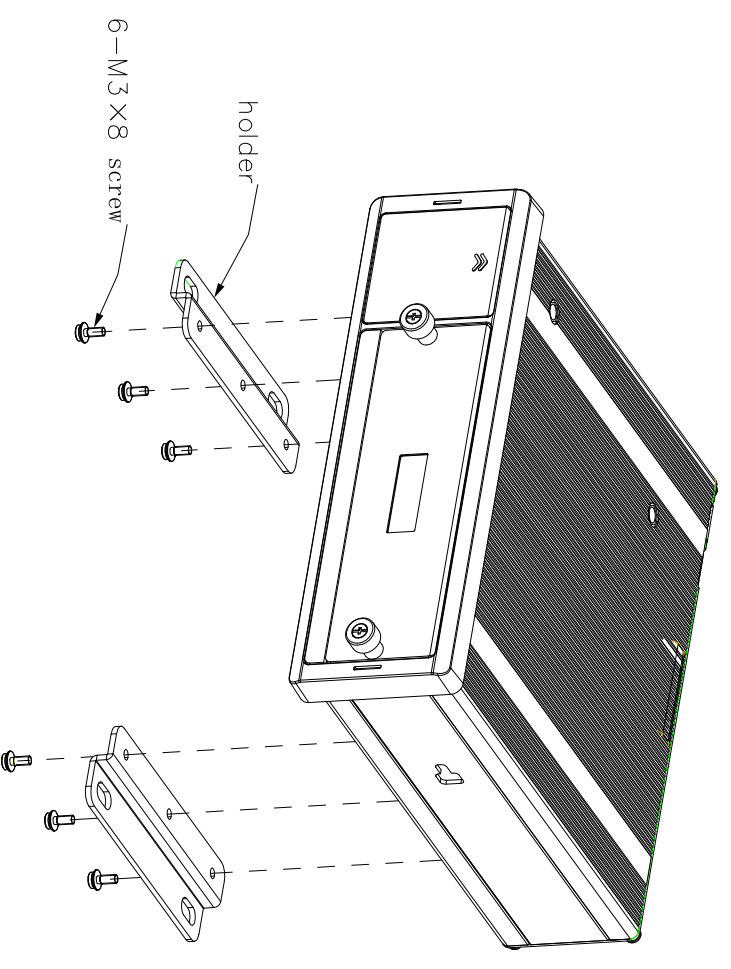


REVISIONS				
REV	ZONE MARK	DESCRIPTION	DATE	CHANGED



mm [inch]



.X	±0.2		±0.5		TITLE:	MxVR4xxx
.XX	±0.15				UNIT'S: mm	
.XXX	± 0.05				SCALE: 1:1	
DRAW:					DATE:	
CHKD:					DATE:	
STAD:					DATE:	
APPD:					DATE:	
SHEET: 3 OF						
PART NO.:						

THESE DRAWINGS AND SPECIFICATION ARE THE PROPERTY OF ZHEJIANG DAHUA TECHNOLOGY CO., LTD. AND SHALL NOT BE REPRODUCED COPIED OR PUBLISHED IN ANY MANNER WITHOUT THE WRITTEN CONSENT OF ZHEJIANG DAHUA TECHNOLOGY CO., LTD.

1 2 3 4 5 6 7 8

A3 F E D C B A