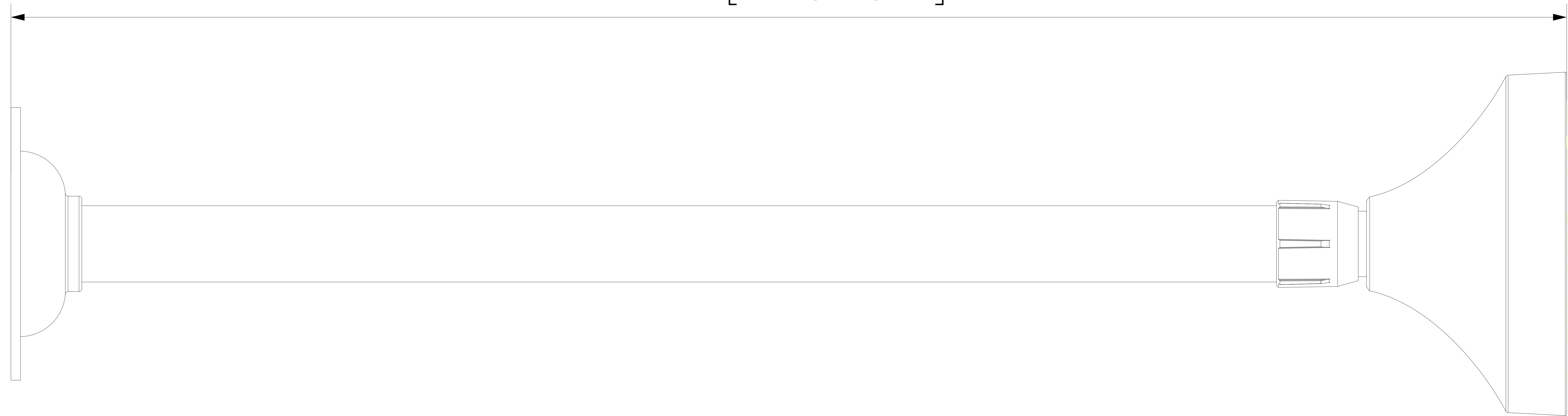


mm [inch]

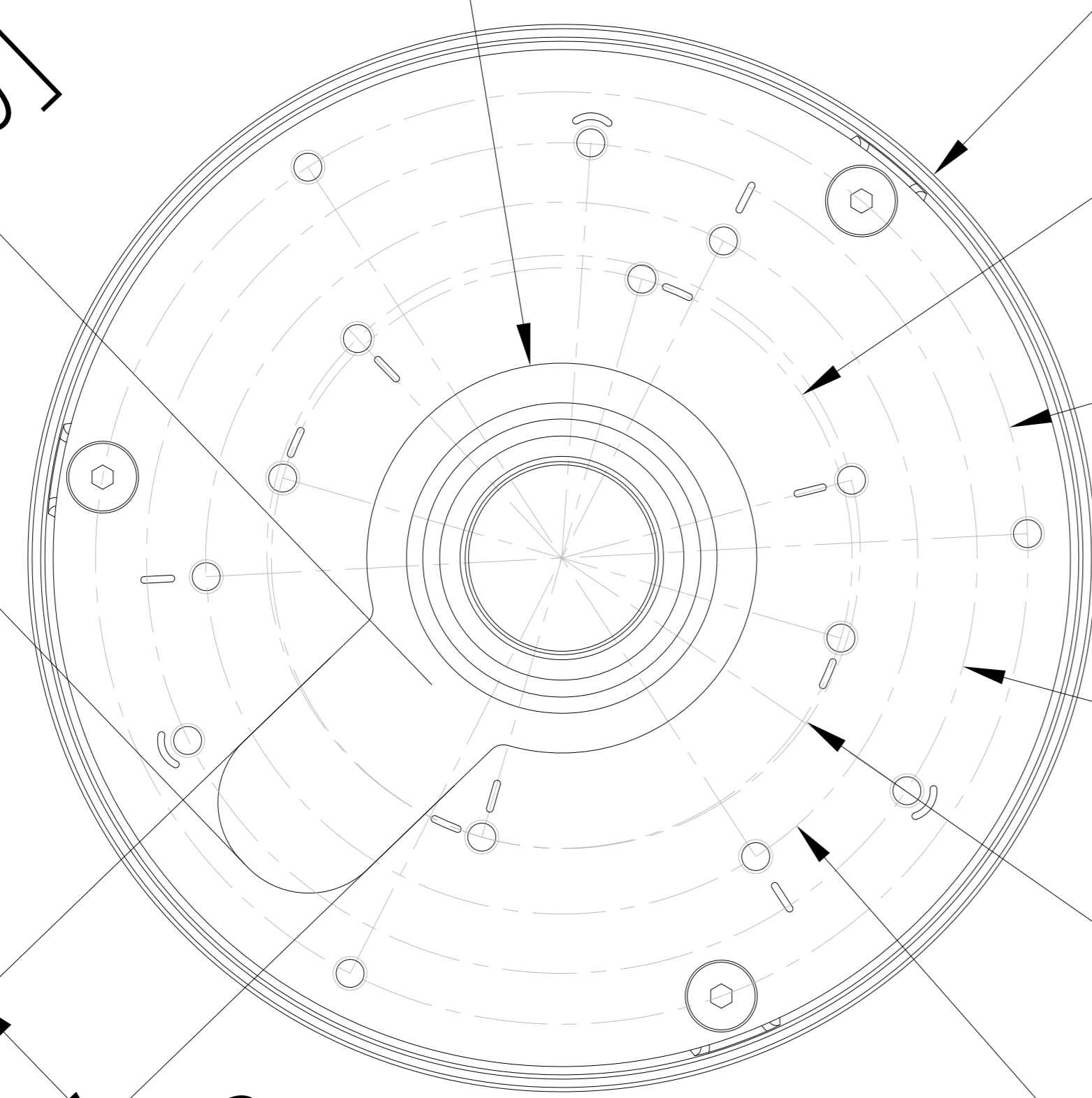
815.0-1500.0 [32.09-59.06]



$\Phi 46.0$  [ $\Phi 1.81$ ]

30.6 [1.20]

21.0 [0.83]



$\Phi 125.9$  [ $\Phi 4.96$ ]

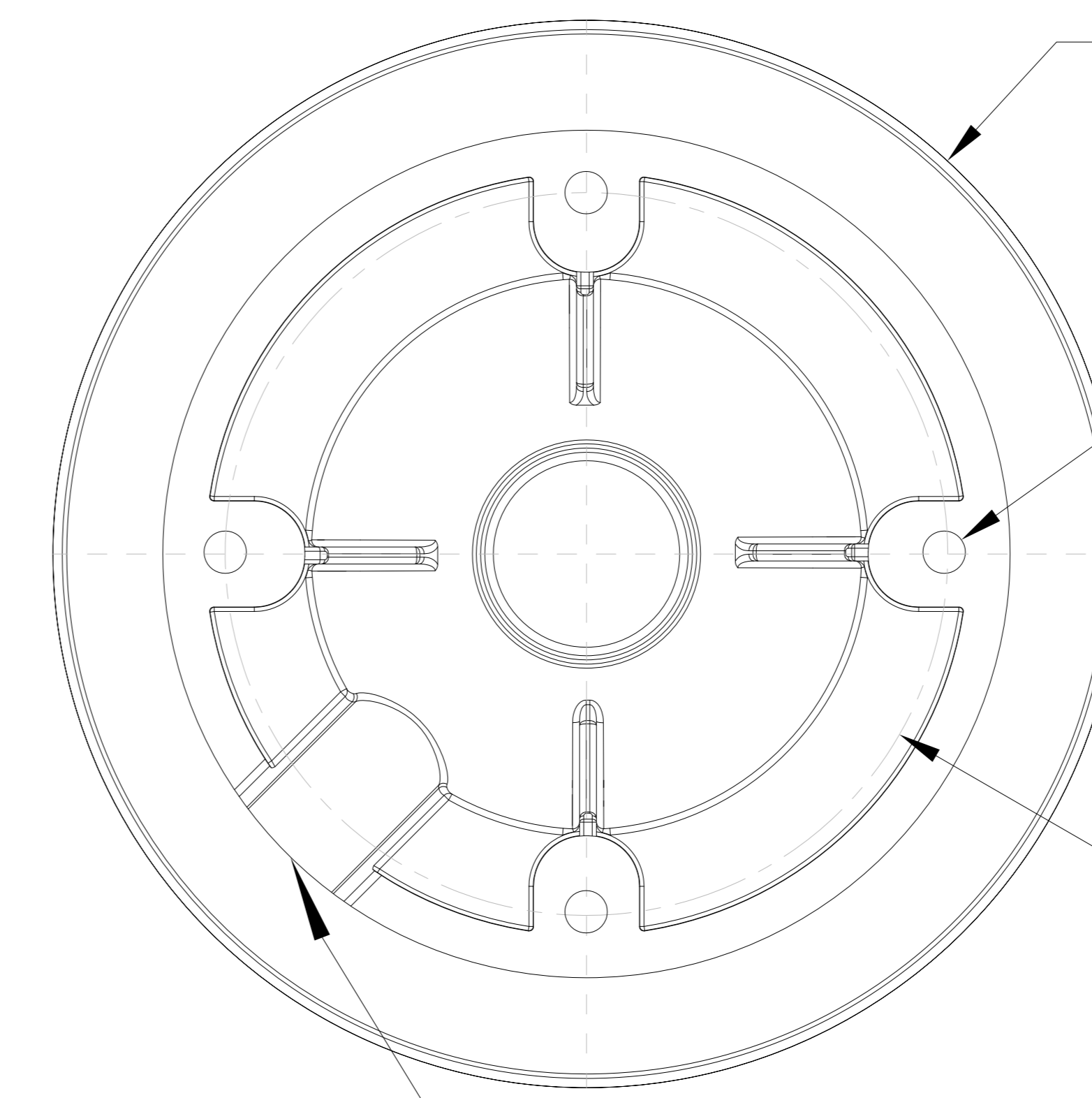
$\Phi 68.5$  [ $\Phi 2.70$ ](4-M4)

$\Phi 110.0$  [ $\Phi 4.33$ ](3-M4)

$\Phi 98.0$  [ $\Phi 3.86$ ](3-M4)

$\Phi 70.0$  [ $\Phi 2.76$ ](3-M4)

$\Phi 84.0$  [ $\Phi 3.31$ ](3-M4)



$\Phi 125.9$  [ $\Phi 4.96$ ]

$\Phi 5.0$  [ $\Phi 0.20$ ]

$\Phi 85.3$  [ $\Phi 3.36$ ]

$\Phi 15.0$  [ $\Phi 0.59$ ]