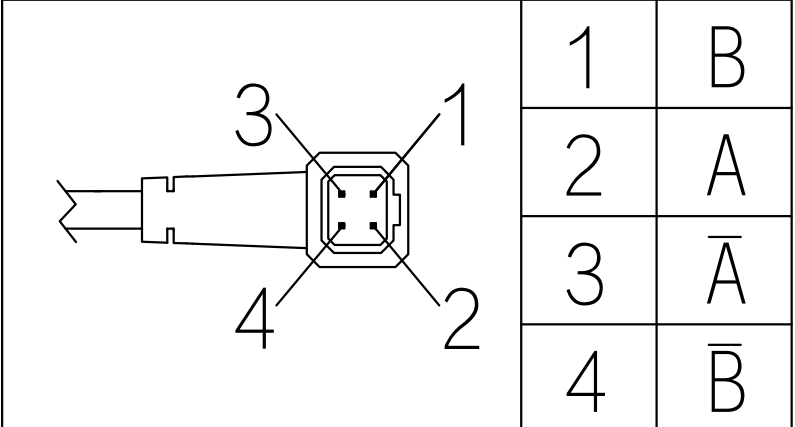
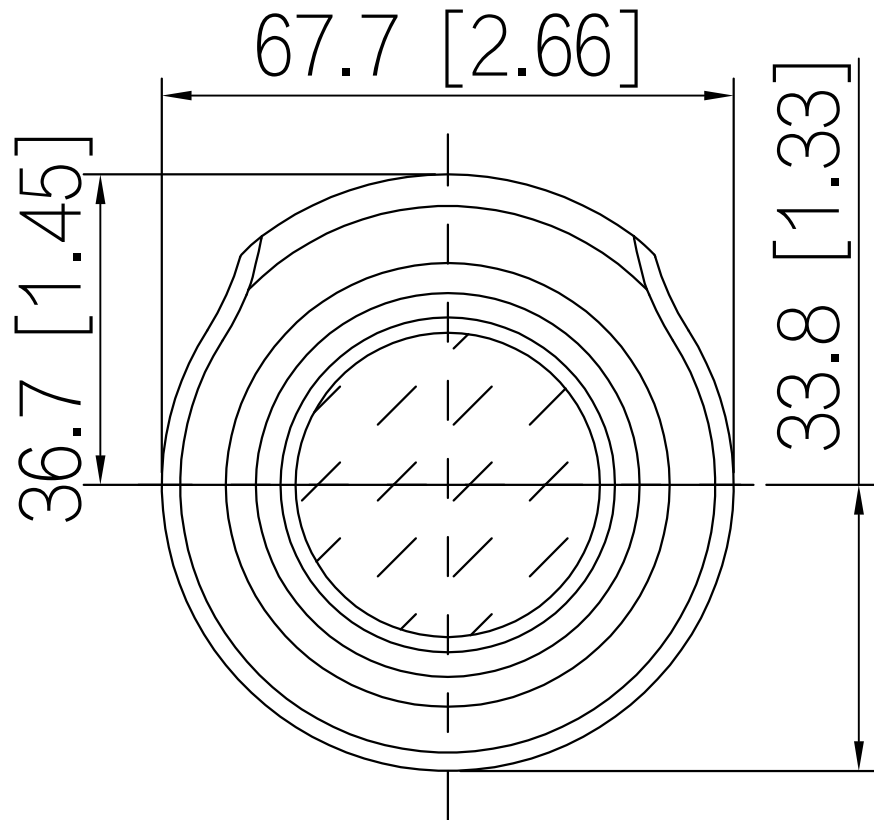
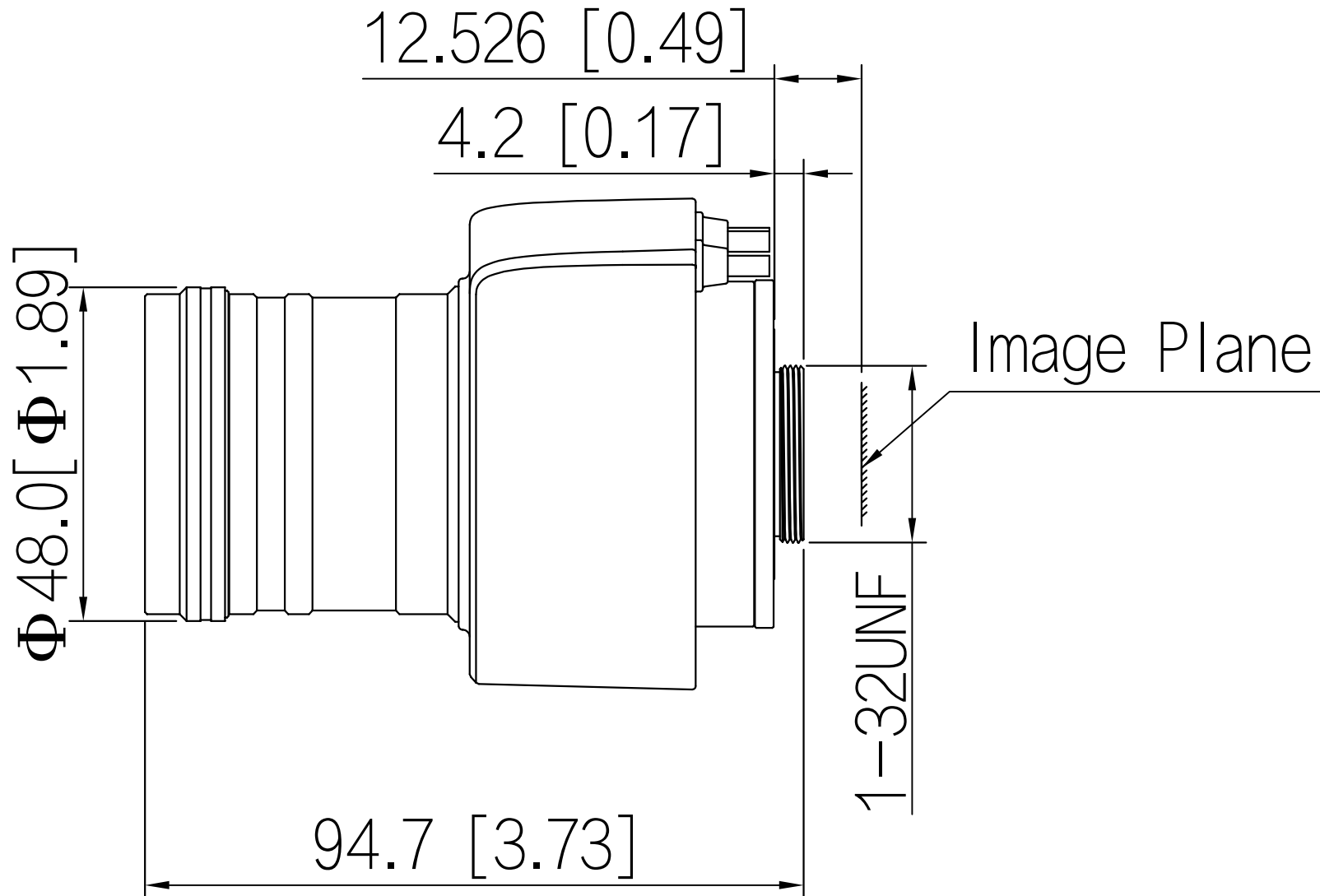


mm [inch]



1	B
2	A
3	$\bar{A}$
4	$\bar{B}$