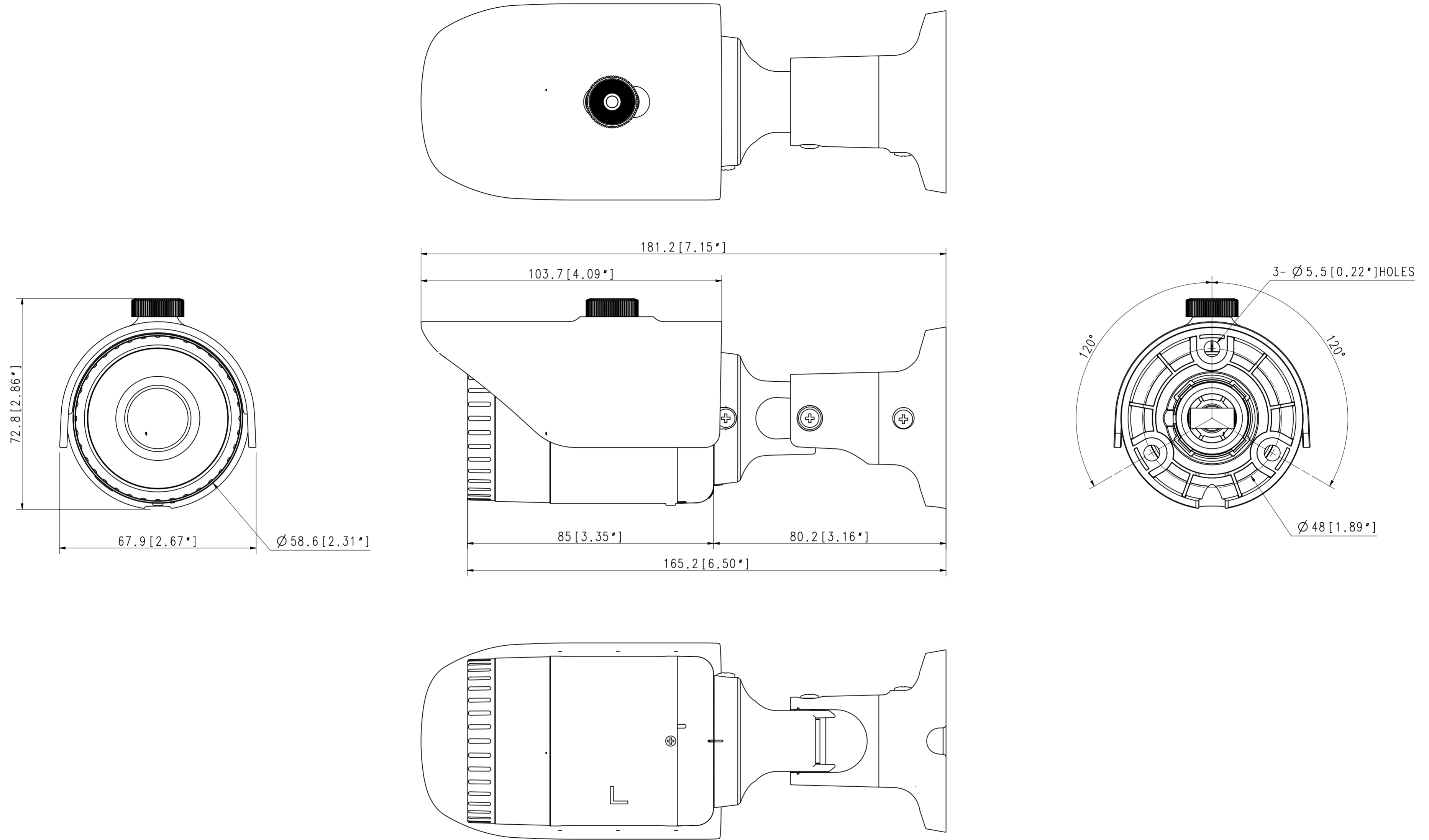


NO	PART NAME	CODE NO.	MATERIAL	Q'TY	REMARK
1	APPEARANCE HCO-6020R	-	MATERIAL	1	REMARK



STANDARD TOLERANCE

DIV	lvl 1	lvl 2	lvl 3	lvl 4	lvl 5
0-16	± 0.05	± 0.1	± 0.1	± 0.2	± 0.3
16-63	± 0.05	± 0.1	± 0.2	± 0.3	± 0.4
63-250	± 0.1	± 0.2	± 0.3	± 0.4	± 0.4
250-1000	± 0.2	± 0.3	± 0.4	± 0.5	± 0.6

CHANGE

UNIT	mm	DESIGN	CHECK	APPROVAL	PART NAME	APPEARANCE HCO-6020R
SCALE	1/1	Mu Yi	-	-	MODEL NAME	HCO-6020R
		16.01.08	-	-	CODE NO.	-