

# HTV

## ALUMINIUM HOUSING FOR THERMAL CAMERAS

### MAIN FEATURES

Germanium window  
 IP66/IP67 (with cable glands or optional sealing rings)  
 Pre-arranged for internal cable management bracket  
 Side opening, easy camera servicing  
 Available accessories: heater, camera power supply, alarm tamper switch

### DESCRIPTION

This housing has been designed to fit thermal cameras with compact lenses for vision even in total darkness, fog, rain, smoke, or for long distances.

It is possible to use it for a wide range of day/night surveillance systems, such as: monitoring and rescue in the event of a fire, public safety, along with airport, industrial and environmental surveillance.

The frontal opening system allows an easy access to the camera and all internal connections.

A wide range of accessories for mounting the equipment is available thereby satisfying all installation needs.



HTV

### AVAILABLE MODELS

Model Number	Housing sunshield	Power supply 230Vac	Power supply 24Vac	Ø germanium window
HTV32K1A000	✓	✓	–	50mm
HTV32K2A000	✓	–	✓	50mm

**TECHNICAL DATA****GENERAL**

Constructed from aluminium  
 Sunshield in ABS  
 Epoxypolyester powder painting, RAL9002 colour  
 Stainless steel external screws

**MECHANICAL**

Cable glands: 3xM16  
 Dimensions (WxHxL): 176x160x514mm (6.9x6.3x20.2in)  
 Unit weight: 4kg (8.8lb)

**ELECTRICAL**

Heater (Ton 15°C±3°C (59°F ±5°F), Toff 22°C±3°C (77°F±5°F))

- Power supply/Consumption: IN 12Vdc/24Vac, 20W max
- Power supply/Consumption: IN 120Vac/230Vac, 40W max

Camera power supply

- IN 100-240Vac, 50/60Hz - OUT 12Vdc, 1A
- IN 230Vac - OUT 24Vac, 50/60Hz, 400mA

**OPTICAL**

Germanium window

- Dimensions (Ø): 35mm
- Thick: 1.5mm (0,06in)
- Dimensions (Ø): 55mm (2.1in)
- Thick: 2mm (0.07in)
- External scratch-resistant treatment: Hard Carbon Coating (DLC)
- Internal antireflection treatment
- Spectral range: From 7.5µm to 14µm
- Medium transmittance (from 7.5µm to 11.5µm): 94%
- Medium transmittance (from 11.5µm to 14µm): 90%

**ENVIRONMENT**

Indoor/Outdoor  
 Operating temperature (with heater): From -20°C (-4°F) to +60°C (140°F)  
 Resistant to salty fog, to 1000 hours (ISO9227)

**CERTIFICATIONS**

CE: EN61000-6-3, EN50130-4, EN60950-1, EN60950-22  
 EN60529 IP66/IP67, (with cable glands)  
 EN60529 IP66/IP67, (with special gaskets and bracket with internal cable channel)  
 EN60529 IP55 (with bracket with internal cable channel)  
 EN60529 IP44 (with double filter for air renewal)

**ACCESSORIES**

OHEH26	Heater 120Vac/230Vac for HOV, HTV, VERSO, VERSO COMPACT housings
OHEH27	Heating 12Vdc/24Vac for HOV, HTV, HTC, VERSO and VERSO COMPACT housings
OHOVPS1B	Wide range camera power supply IN 100-240Vac - OUT 12Vdc, 15W, for HOV and HTV housing
OHOVPS2B	Camera power supply IN 230Vac - OUT 24Vac, 10VA, for HOV and HTV housings
OHOVTA1	Tamper switch on board with tamper proof screws and key for HOV housing
OHEGBB	Weatherproof junction box
OWBIP2	Sealing rings kit (3xM16) IP66/IP67 for WBOVA2 and WCM4A2 brackets for PUNTO, HOV, HTV, HTC, VERSO, VERSO POLAR, VERSO COMPACT, HEB, HEK housings

**RELATED PRODUCTS**

PTH300	Horizontal/vertical Pan & Tilt
PTH900	Horizontal/vertical Pan & Tilt

**BRACKETS AND ADAPTORS**

WBJA	Ceiling bracket with ball joint
WBOVA2	Wall bracket with internal cable channel
WBOV3A2	Wall bracket with internal cable channel, counterplate and support box, not compatible with OHEBVF1, OHEBVF2 and OHEBVF3
WCM3A	Ceiling bracket with ball joint
WCM5A	Ceiling bracket with ball joint
WCM4A2	Ceiling bracket with internal cable channel
WFWCA	Column bracket with joint

**SPARE PARTS**

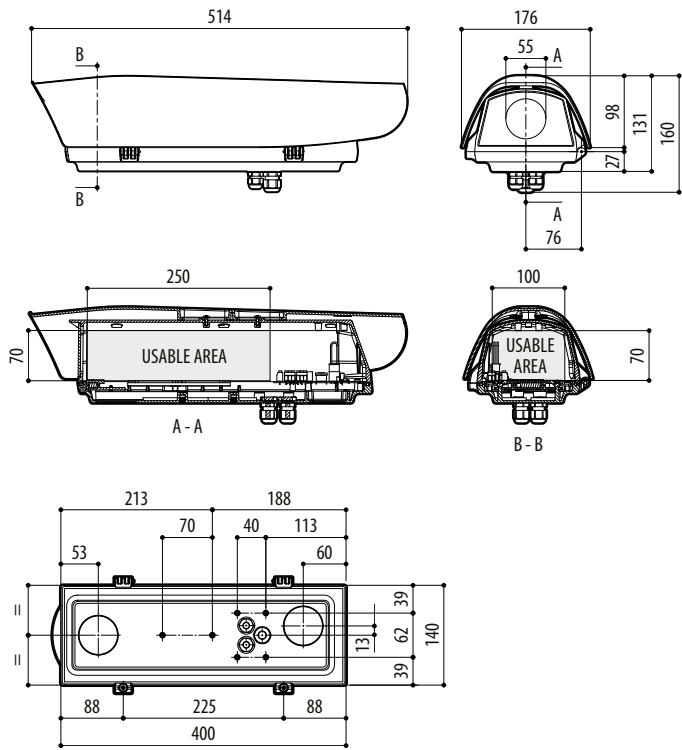
OHTV32SUP	Complete upper body
-----------	---------------------

**PACKAGE**

Model Number	Weight	Dimensions (WxHxL)	Master carton
HTV32K1A000	3.4kg (7.5lb)	19.5x14.5x53cm	4

**TECHNICAL DRAWINGS**

Sizes in millimeters.



HTV

