

ENGLISH

FRANÇAIS

DEUTSCH

ITALIANO

ESPAÑOL

日本語

AXIS T93F Series

AXIS T93F05 Protective Housing

AXIS T93F20 Outdoor Housing

Installation Guide

Legal Considerations

Video and audio surveillance can be regulated by laws that vary from country to country. Check the laws in your local region before using this product for surveillance purposes.

Liability

Every care has been taken in the preparation of this document. Please inform your local Axis office of any inaccuracies or omissions. Axis Communications AB cannot be held responsible for any technical or typographical errors and reserves the right to make changes to the product and manuals without prior notice. Axis Communications AB makes no warranty of any kind with regard to the material contained within this document, including, but not limited to, the implied warranties of merchantability and fitness for a particular purpose. Axis Communications AB shall not be liable nor responsible for incidental or consequential damages in connection with the furnishing, performance or use of this material. This product is only to be used for its intended purpose.

Intellectual Property Rights

Axis AB has intellectual property rights relating to technology embodied in the product described in this document. In particular, and without limitation, these intellectual property rights may include one or more of the patents listed at www.axis.com/patent.htm and one or more additional patents or pending patent applications in the US and other countries.

Equipment Modifications


This equipment must be installed and used in strict accordance with the instructions given in the user documentation. This equipment contains no user-serviceable components. Unauthorized equipment changes or modifications will invalidate all applicable regulatory certifications and approvals.

Trademark Acknowledgments

AXIS COMMUNICATIONS, AXIS, ETRAX, ARTPEC and VAPIX are registered trademarks or trademark applications of Axis AB in various jurisdictions. All other company names and products are trademarks or registered trademarks of their respective companies.

Regulatory Information

Europe

 This product complies with the applicable CE marking directives and harmonized standards:

- (AXIS T93F20) Electromagnetic Compatibility (EMC) Directive 2004/108/EC. See *Electromagnetic Compatibility (EMC) on page 2*.
- Low Voltage (LVD) Directive 2006/95/EC. See *Safety on page 3*.
- Restrictions of Hazardous Substances (RoHS) Directive 2011/65/EU. See *Disposal and Recycling on page 3*.

A copy of the original declaration of conformity may be obtained from Axis Communications AB. See *Contact Information on page 3*.

Electromagnetic Compatibility (EMC)

This equipment has been designed and tested to fulfill applicable standards for:

- Radio frequency emission when installed according to the instructions and used in its intended environment.
- Immunity to electrical and electromagnetic phenomena when installed according to the instructions and used in its intended environment.

USA

Using an unshielded network cable (UTP) – This equipment has been tested using an unshielded network cable (UTP) and found to comply with the limits for a Class A digital device, pursuant to part 15 of the FCC Rules. These limits are designed to provide reasonable protection against harmful interference when the equipment is operated in a commercial environment. This equipment generates, uses, and can radiate radio frequency energy and, if not installed and used in accordance with the instruction manual, may cause harmful interference to radio communications. Operation of this equipment in a residential area is likely to cause harmful interference in which case the user will be required to correct the interference at his own expense.

Using a shielded network cable (STP) – This equipment has also been tested using a shielded network cable (STP) and found to comply with the limits for a Class B digital device, pursuant to part 15 of the FCC Rules. These limits are designed to provide reasonable protection against harmful interference in a residential installation. This equipment generates, uses and can radiate radio frequency energy and, if not installed and used in accordance with the instructions, may cause harmful interference to radio communications. However, there is no guarantee that interference will not occur in a particular installation. If this equipment does cause harmful interference to radio or television reception, which can be determined by turning the equipment off and on, the user is encouraged to try to correct the interference by one or more of the following measures:

- Reorient or relocate the receiving antenna.
- Increase the separation between the equipment and receiver.
- Connect the equipment into an outlet on a circuit different from that to which the receiver is connected.
- Consult the dealer or an experienced radio/TV technician for help.

To be used in a residential area or a demanding electrical environment, the product shall be connected using a shielded network cable (STP) that is properly grounded.

Canada

This Class B digital apparatus complies with Canadian ICES-003. The product shall be connected using a shielded network cable (STP) that is properly grounded.

Cet appareil numérique de la classe B est conforme à la norme NMB-003 du Canada. Le produit doit être connecté à l'aide d'un câble réseau blindé (STP) qui est correctement mis à la terre.

Europe

This digital equipment fulfills the requirements for RF emission according to the Class B limit of EN 55022. The product shall be connected using a shielded network cable (STP) that is properly grounded.

This product fulfills the requirements for emission and immunity according to EN 50121-4 and IEC 62236-4 railway applications.

This product fulfills the requirements for immunity according to EN 61000-6-1 residential, commercial and light-industrial environments.

This product fulfills the requirements for immunity according to EN 61000-6-2 industrial environments.

This product fulfills the requirements for immunity according to EN 55024 office and commercial environments

Australia/New Zealand

This digital equipment fulfills the requirements for RF

emission according to the Class B limit of AS/NZS CISPR 22. The product shall be connected using a shielded network cable (STP) that is properly grounded.

Japan

この装置は、クラスB情報技術装置です。この装置は、家庭環境で使用することを目的としています。この装置がラジオやテレビジョン受信機に近接して使用されると、受信障害を引き起こすことがあります。取扱説明書に従って正しい取り扱いをして下さい。本製品は、シールドネットワークケーブル(STP)を使用して接続してください。また適切に接地してください。

Korea

이 기기는 가정용(B급) 전자파적합기기로서 주로 가정에서 사용하는 것을 목적으로 하며, 모든 지역에서 사용할 수 있습니다. 적절히 접지된 STP (shielded twisted pair) 케이블을 사용하여 제품을 연결 하십시오.

Safety

This product complies with IEC/EN/UL 60950-1 and IEC/EN/UL 60950-22, Safety of Information Technology Equipment. The product shall be grounded either through a shielded network cable (STP) or other appropriate method.

Disposal and Recycling

When this product has reached the end of its useful life, dispose of it according to local laws and regulations. For information about your nearest designated collection point, contact your local authority responsible for waste disposal. In accordance with local legislation, penalties may be applicable for incorrect disposal of this waste.

Europe



■ This symbol means that the product shall not be disposed of together with household or commercial waste. Directive 2012/19/EU on waste electrical and electronic equipment (WEEE) is applicable in the European Union member states. To prevent potential harm to human health and the environment, the product must be disposed of in an approved and environmentally safe recycling process. For information about your nearest designated collection point, contact your local authority responsible for waste disposal. Businesses should contact the product supplier for information about how to dispose of this product correctly.

This product complies with the requirements of Directive 2011/65/EU on the restriction of the use of certain hazardous substances in electrical and electronic equipment (RoHS).

China



This product complies with the requirements of the legislative act Administration on the Control of Pollution Caused by Electronic Information Products (ACPEIP).

Contact Information

Axis Communications AB
Emdalavägen 14
223 69 Lund
Sweden

Tel: +46 46 272 18 00

Fax: +46 46 13 61 30

www.axis.com

Support

Should you require any technical assistance, please contact your Axis reseller. If your questions cannot be answered

immediately, your reseller will forward your queries through the appropriate channels to ensure a rapid response. If you are connected to the Internet, you can:

- download user documentation and software updates
- find answers to resolved problems in the FAQ database. Search by product, category, or phrase
- report problems to Axis support staff by logging in to your private support area
- chat with Axis support staff (selected countries only)
- visit Axis Support at www.axis.com/techsup/

Learn More!

Visit Axis learning center www.axis.com/academy/ for useful trainings, webinars, tutorials and guides.

Safety Information

Read through this Installation Guide carefully before installing the product. Keep the Installation Guide for future reference.

Hazard Levels

▲DANGER

Indicates a hazardous situation which, if not avoided, will result in death or serious injury.

▲WARNING

Indicates a hazardous situation which, if not avoided, could result in death or serious injury.

▲CAUTION

Indicates a hazardous situation which, if not avoided, could result in minor or moderate injury.

NOTICE

Indicates a situation which, if not avoided, could result in damage to property.

Other Message Levels

Important

Indicates significant information which is essential for the product to function correctly.

Note

Indicates useful information which helps in getting the most out of the product.

AXIS T93F Series

Safety Instructions

NOTICE

- The Axis product shall be used in compliance with local laws and regulations.
- Store the Axis product in a dry and ventilated environment.
- Avoid exposing the Axis product to shocks or heavy pressure.
- Do not install the product on unstable brackets, surfaces or walls.
- Use only applicable tools when installing the Axis product. Excessive force could cause damage to the product.
- Do not use chemicals, caustic agents, or aerosol cleaners. Use a clean cloth dampened with pure water for cleaning.
- Use only accessories that comply with technical specification of the product. These can be provided by Axis or a third party.
- Use only spare parts provided by or recommended by Axis.
- Do not attempt to repair the product by yourself. Contact Axis support or your Axis reseller for service matters.

Transportation

NOTICE

- When transporting the Axis product, use the original packaging or equivalent to prevent damage to the product.

Installation Guide

This Installation Guide provides instructions for installing AXIS T93F20 Outdoor Housing and AXIS T93F05 Protective Housing.

To install the camera on the network, please see the Installation Guide provided with the camera. For other details about the camera, see the User Manual available at www.axis.com

Installation Steps

1. Make sure the package contents, tools and other materials necessary for the installation are in order. See *page 7*.
2. Study the hardware overview. See *page 8*.
3. Study the specifications. See *page 11*.
4. Install the hardware. See *page 13*.

Package Contents

- AXIS T93F20 Outdoor Housing/AXIS T93F05 Protective Housing
- AXIS T94Q01A Wall Mount with internal cable channel
- AXIS Connector Guard A
- Screw bit T30
- Desiccant bag
- (AXIS T93F20) Network cable – for connecting the camera to the housing
- Printed materials
 - Installation Guide (this document)
 - Installation Guide for AXIS T94Q01A Wall Mount

Recommended Tools

- Drill – for installing the wall mount
- Torx screwdriver T20

Optional Accessories

- AXIS Sunshield A
- AXIS Corridor Format Bracket A/B
- AXIS Door Switch A
- AXIS T94R01P Conduit Back Box

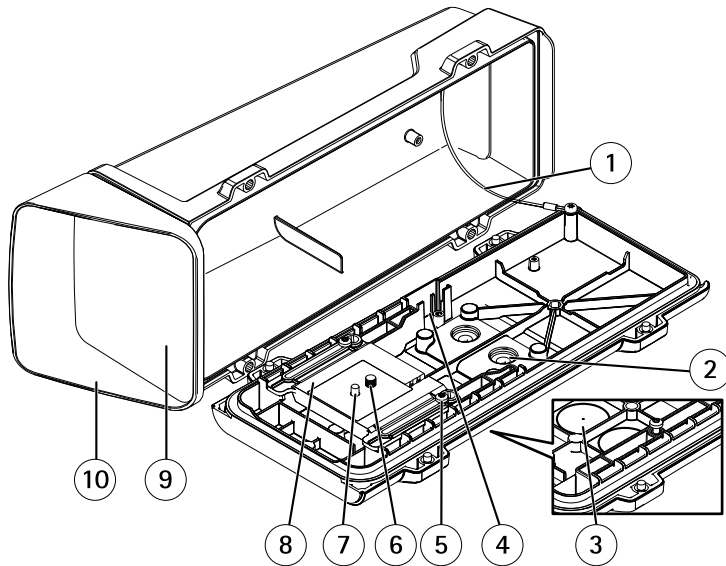
AXIS T93F Series

- Illuminators
- Camera mounts
- Cable gaskets and cable glands

For information about available accessories, see www.axis.com

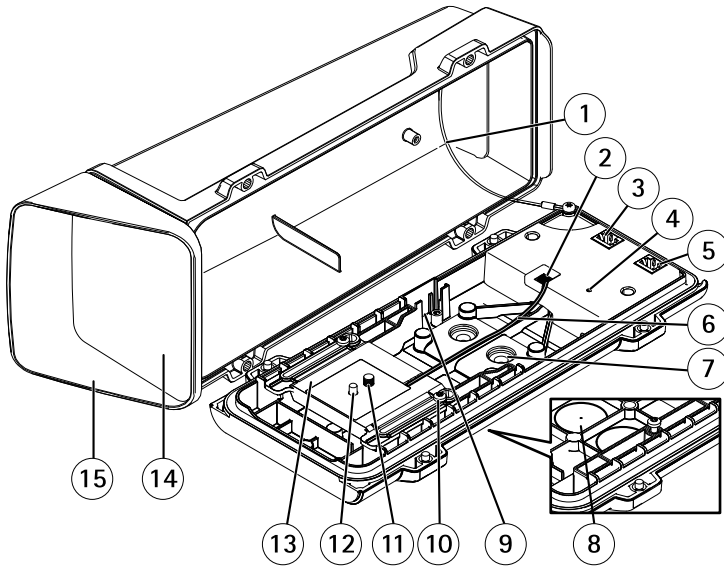
Hardware Overview

Housing



AXIS T93F05 Protective Housing

- 1 Safety wire
- 2 Cable gasket M20 (2x)
- 3 Drill-out (2x)
- 4 Slot for intrusion alarm switch – supports AXIS Door Switch A (sold separately)
- 5 Holder screw T20 (2x)
- 6 Camera screw T20
- 7 Pin
- 8 Holder
- 9 Window
- 10 Top cover

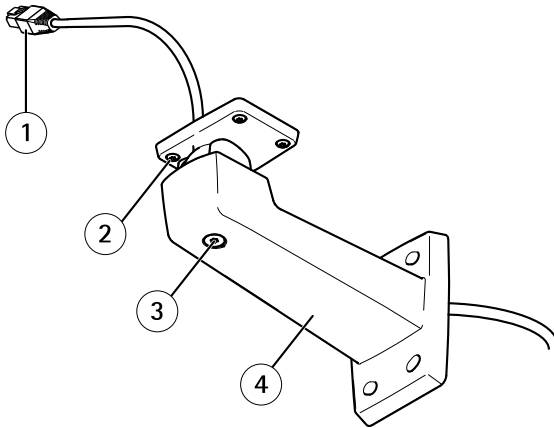


AXIS T93F20 Outdoor Housing

- 1 Safety wire
- 2 Heater connector
- 3 Network connector (PoE OUT)
- 4 Status LED indicator
- 5 Network connector (PoE IN)
- 6 Heater cable
- 7 Cable gasket M20 (2x)
- 8 Drill-out (2x)
- 9 Slot for intrusion alarm switch – supports AXIS Door Switch A (sold separately)
- 10 Holder screw T20 (2x)
- 11 Camera screw T20
- 12 Pin
- 13 Holder
- 14 Window
- 15 Top cover

AXIS T93F Series

Wall Mount



- 1 Network cable (route through wall bracket)
- 2 Screw T20 (4x)
- 3 Bracket adjustment screw T30
- 4 Wall bracket

LED Indicators (AXIS T93F20)

LED	Color	Indication
Status	Green	Normal operation
	Green, single flash	Heater error
	Green, triple flash	General error

Connectors and Buttons

For specifications and operating conditions, see *page 11*.

Network Connector (AXIS T93F20)

RJ45 Ethernet connector. Supports Power over Ethernet (PoE).

- PoE IN – Supplies the housing with power and Ethernet. Connect to network through a PoE-enabled network switch.
- PoE OUT – Supplies the camera with power and Ethernet. Connect between the housing and the camera.

NOTICE

Due to local regulations or the environmental and electrical conditions in which the product is to be used, a shielded network cable (STP) may be appropriate or required. All cables connecting the product to the network and that are routed outdoors or in demanding electrical environments shall be intended for their specific use. Make sure that the network devices are installed in accordance with the manufacturer's instructions. For information about regulatory requirements, see *Regulatory Information on page 2*.

Heater Connector (AXIS T93F20)

4-pin terminal block used to power the holder's built-in heater and temperature sensor.

Specifications

Operating Conditions

The Axis product is intended for indoor and outdoor use.

Classification	
AXIS T93F05/AXIS T93F20	IEC 60721-4-3 Class 4M4 IEC 60529 IP66 NEMA 250 Type 4X

Temperature		
AXIS T93F05 ¹ /AXIS T93F20		-40 °C to 60 °C (-40 °F to 140 °F)
AXIS T93F05 ¹	AXIS P13 Series	0 °C to 45 °C (32 °F to 113 °F)
	AXIS Q1602/Q1604/Q1614	0 °C to 45 °C (32 °F to 113 °F)
	AXIS Q1615	0 °C to 50 °C (32 °F to 122 °F)
AXIS T93F20	AXIS P13 Series	-40 °C to 45 °C (-40 °F to 113 °F)
	AXIS Q1602/Q1604/Q1614	-40 °C to 45 °C (-40 °F to 113 °F)
	AXIS Q1615	0 °C to 50 °C (32 °F to 122 °F)

1. AXIS T93F05 does not have a heater. Therefore, the operating temperature is determined by the operating temperature of the enclosed camera.

Important

(AXIS T93F20) When the ambient temperature is below 0 °C (32 °F), start-up could take up to 60 minutes. The colder it is, the longer the start-up.

AXIS T93F Series

Humidity	
AXIS T93F05/AXIS T93F20	15–100% RH (condensing)

Storage Conditions

Temperature	
AXIS T93F05/AXIS T93F20	-40 °C to 75 °C (-40 °F to 167 °F)

Power Consumption

Product	Power supply
AXIS T93F05	n/a
AXIS T93F20	Power over Ethernet IEEE 802.3af/802.3at Type 1 Class 3, max 15.4 W

Cable Area

NOTICE

- Use cables that keep within the specified cable area.
- Select cables in compliance with your local regulations.
- Make sure all cable holes are properly sealed.

Diameter	AWG
5–15 mm (0.197–0.591 in)	Approximately 4–6/0

To create extra cable holes, open the drill-outs located below the holder. See *Hardware Overview on page 8*.

NOTICE

Use cable gaskets or cable glands that match both the cable hole and the cable area.

For information about accessories, such as cable gaskets and cable glands that allow for other cable areas, see www.axis.com

Install the Hardware

NOTICE

- Due to local regulations or the environmental and electrical conditions in which the product is to be used, a shielded network cable (STP) may be appropriate or required. All cables connecting the product to the network and that are routed outdoors or in demanding electrical environments shall be intended for their specific use. Make sure that the network devices are installed in accordance with the manufacturer's instructions.
 - (AXIS T93F05) For information about regulatory requirements, see the camera's Installation Guide.
 - (AXIS T93F20) For information about regulatory requirements, see *Regulatory Information on page 2*
- Be careful not to scratch, damage or leave fingerprints on the window because this could decrease image quality. If possible, keep the protective plastic on the housing window until the installation is complete.

The Axis product can be installed with the cables routed through or along the wall.

Read all the instructions before installing the product:

1. Install the wall mount. See *page 13*. For detailed instructions, see the wall mount's Installation Guide, supplied in the package or available on www.axis.com
2. Attach the housing to the wall mount. See *page 14*.
3. Install the camera in the housing. See *page 16*.

Install the Wall Mount

CAUTION

Make sure that the that the screws and plugs are appropriate for the material (e.g. wood, metal, sheet rock, stone) and that the material is strong enough to support the combined weight of the camera, housing, and wall mount.

1. Prepare the wall for installation of the wall mount. Use the wall mount as a template and mark the holes before drilling the holes.
2. Route the network cable through the wall bracket. Leave approximately 30 cm (11.8 in) of cable for connecting the camera.
3. If connecting an auxiliary device, for example an I/O, audio, or external power device, to the camera, repeat the step above as applicable to the specific device.
4. Hold the wall mount against the wall and tighten the screws.

Note

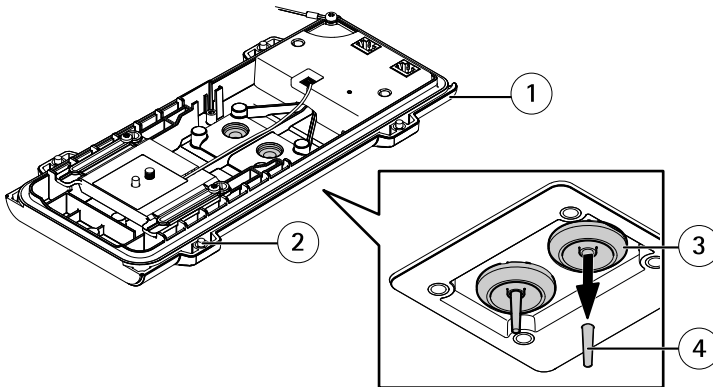
- For detailed instructions, see the wall mount's Installation Guide supplied in the package and available on www.axis.com
- For more technical specifications, see the camera's User Manual available on www.axis.com

Attach the Housing to the Wall Mount

NOTICE

- Use cables that keep within the specified cable area, see *page 12*. Using any other than the provided cable gasket could cause water to seep in and damage the product. For information about cable gaskets and cable glands that allow for other cable areas, see www.axis.com
- If more than one cable is used, each cable must be routed through a separate cable gasket.
- Only open a hole in cable gaskets that will be used and if a cable gasket is torn, replace it with a new cable gasket. Leaving a cable gasket open or using a torn cable gasket could cause water to seep in and damage the product.

1. Loosen the bottom cover screws and lift the top cover.
2. Select which cable gasket to use and pull the tab to open a hole for the network cable.



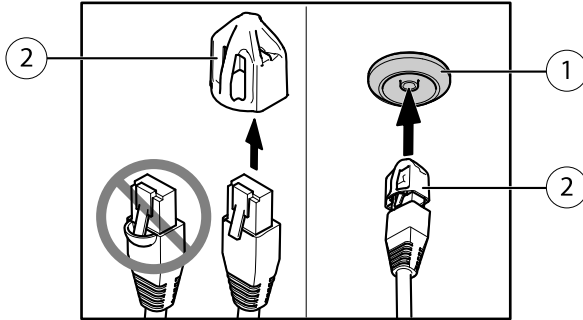
Example image: AXIS T93F20

- 1 Bottom cover
- 2 Bottom cover screw T20 (4x)
- 3 Cable gasket M20 (2x)
- 4 Tab

3. Push the network cable through the cable gasket.

NOTICE

If the network cable has a premounted network connector, remove the cable gasket and use the connector guard to prevent tearing of the cable gasket. Avoid using network cables with capped network connectors because they could cause tearing of the cable gasket despite using the connector guard.

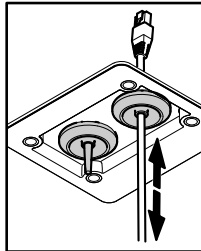


- 1 Cable gasket M20 (2x)
- 2 Connector guard

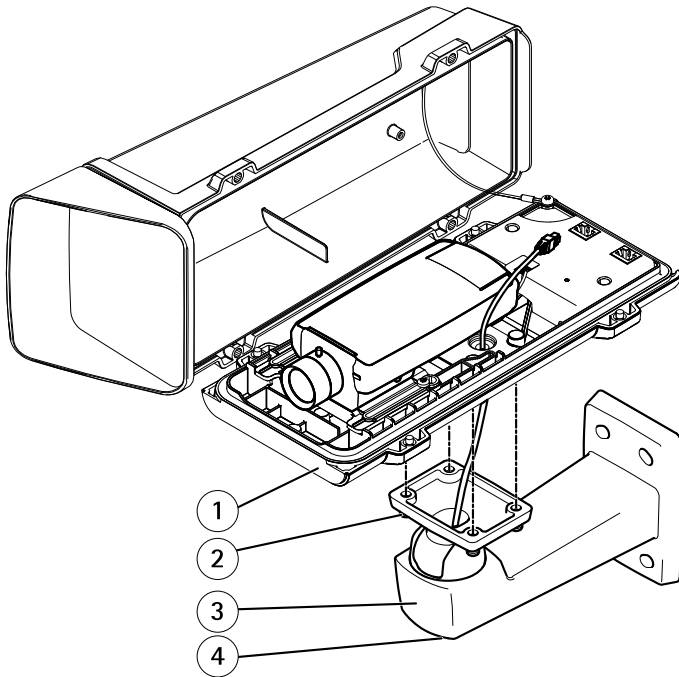
4. Pull the network cable back slightly so that the cable gasket adjusts itself on the cable.

NOTICE

Not pulling the cable back could cause water to seep in and damage the product.



5. Make sure that the cable gasket is fitted properly.
6. If connecting an auxiliary device, for example an I/O, audio, or external power device, to the camera, repeat the steps above as applicable to the specific device.
7. Put the bottom cover on the wall mount and tighten the screws (torque 2 Nm).



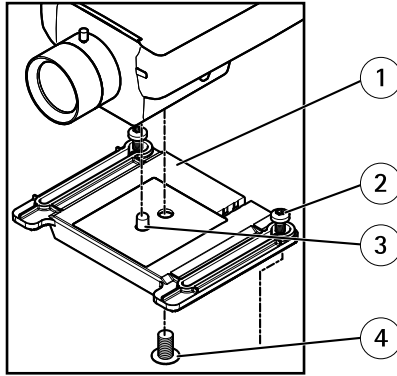
Example image: *AXIS T93F20 and AXIS P13 Series*

- 1 *Bottom cover*
- 2 *Screw T20 (4x)*
- 3 *Wall bracket*
- 4 *Bracket adjustment screw T30*

Install the Camera in the Housing

1. Loosen the holder screws, then slide and lift the holder.
2. Attach the holder to the camera. Align the pin and camera screw with the pin hole and screw mount on the camera and tighten the camera screw (torque 1 Nm). Be careful not to overtighten the screw.

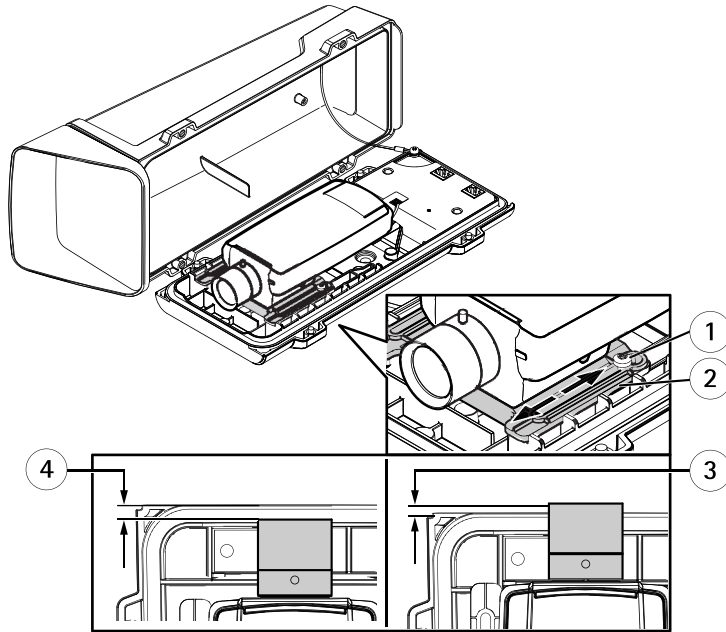
(AXIS T93F20) To make it easier to attach the holder to the camera, you can disconnect the heater from the heater connector on the bottom cover temporarily. See *Hardware Overview*.



- 1 Holder
- 2 Holder screw T20 (2x)
- 3 Pin
- 4 Camera screw T20

3. If connecting external/input devices, audio devices, or external power to the camera, connect them according to the instructions in the camera's Installation Guide.
4. Attach the holder to the bottom cover. Adjust the position of the holder carefully and tighten the holder screws (torque 0.5 Nm).

AXIS T93F Series



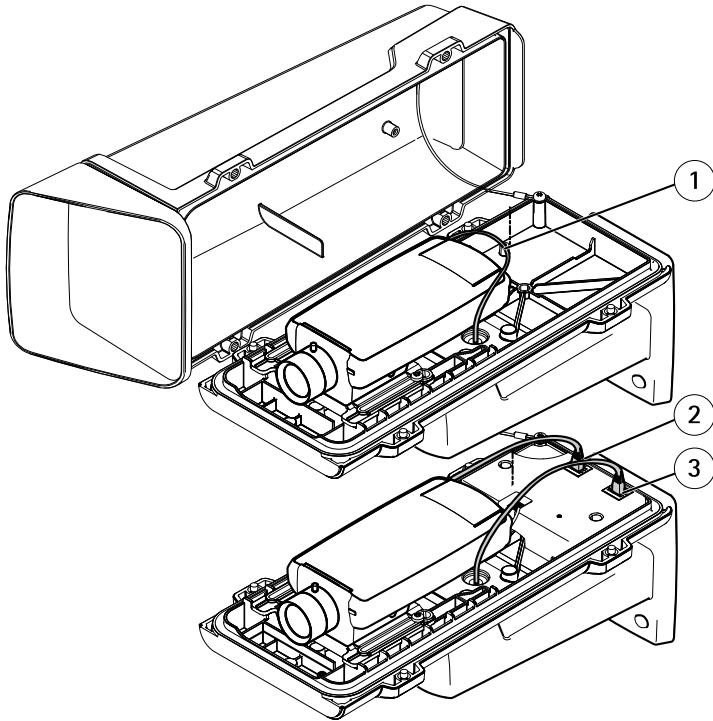
Example image: AXIS T93F20 and AXIS P13 Series

- 1 Holder screw T20 (2x)
- 2 Holder
- 3 Position A (overlap) : +3.7 mm (+0.15 in)
- 4 Position B (gap) : -6 mm to -4 mm (-0.24 in to -0.16 in)

NOTICE

- Position A: To avoid reflections in the image, adjust the holder's position so that the camera lens edge overlaps the bottom cover edge by +3.7 mm (+0.15 in). Note that this position voids the IK10 rating.
 - Position B: To fulfill the IK10 rating requirements, adjust the holder's position so that the gap between the camera lens and bottom cover edges is between -6 mm and -4 mm (-0.24 in and -0.16 in).
5. (AXIS T93F20) If the heater has been disconnected, reconnect the heater cable to the heater connector in the bottom cover.
 6. If using an SD card for local storage, insert the card into the camera's SD card slot.
 7. Connect the network cables.
 - (AXIS T93F05) Connect the camera to the network.

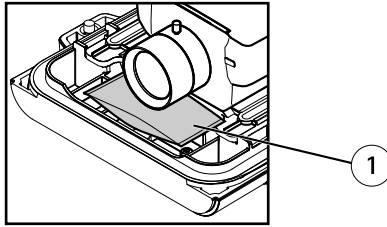
- (AXIS T93F20) Connect the housing to the network (PoE IN) and the camera to the housing (PoE OUT).



Example images: AXIS T93F05 (top), AXIS T93F20 (bottom) and AXIS P13 Series

- 1 Network cable
 - 2 Network connector (PoE OUT)
 - 3 Network connector (PoE IN)
8. (AXIS T93F20) Make sure that the housing's status LED indicates the correct condition. See *LED Indicators (AXIS T93F20)* on page 10.
 9. Make sure that the camera LEDs indicate the correct conditions. See the camera's Installation Guide.
 10. Loosen the bracket adjustment screw to aim the camera to the point of interest. For information about how to view the video stream, see the camera's Installation Guide or www.axis.com/techsup
 11. Remove the plastic wrapper from the desiccant bag and put the desiccant bag below the lens.

AXIS T93F Series



1 Desiccant bag

12. Close the housing. Make sure to alternately tighten the bottom cover screws a few turns at a time until they are tight (torque 1.5 Nm). This will help ensure that the bottom cover gasket is compressed evenly.

NOTICE

Make sure not to pinch any cables when closing the housing.

13. Remove the protective plastic from the housing window.
14. If using a sunshield (sold separately), place it over the top cover, adjust its position and tighten the screws.

Further Information

Visit Axis learning center www.axis.com/academy for useful trainings, webinars, tutorials and guides.

Warranty Information

For information about Axis' product warranty and thereto related information, see www.axis.com/warranty/

Informations sur la sécurité

Lisez attentivement ce guide d'installation avant d'installer l'appareil. Conservez le guide d'installation pour toute référence ultérieure.

Niveaux de risques

▲DANGER

Indique une situation dangereuse qui, si elle n'est pas évitée, entraînera le décès ou des blessures graves.

▲AVERTISSEMENT

Indique une situation dangereuse qui, si elle n'est pas évitée, pourrait entraîner le décès ou des blessures graves.

▲ATTENTION

Indique une situation dangereuse qui, si elle n'est pas évitée, pourrait entraîner des blessures légères ou modérées.

AVIS

Indique une situation qui, si elle n'est pas évitée, pourrait endommager l'appareil.

Autres niveaux de message

Important

Indique les informations importantes, nécessaires pour assurer le bon fonctionnement de l'appareil.

Note

Indique les informations utiles qui permettront d'obtenir le fonctionnement optimal de l'appareil.

Consignes de sécurité

AVIS

- Le produit Axis doit être utilisé conformément aux lois et réglementations locales en vigueur.
- Conserver ce produit Axis dans un environnement sec et ventilé.
- Ne pas exposer ce produit Axis aux chocs ou aux fortes pressions.
- Ne pas installer ce produit sur des supports, surfaces ou murs instables.
- Utiliser uniquement des outils recommandés pour l'installation de l'appareil Axis. Une force excessive appliquée sur l'appareil pourrait l'endommager.
- Ne pas utiliser de produits chimiques, de substances caustiques ou de nettoyeurs pressurisés. Utiliser un chiffon propre et humide pour le nettoyage.
- Utiliser uniquement des accessoires conformes aux caractéristiques techniques du produit. Ceux-ci peuvent être fournis par Axis ou un tiers.
- Utiliser uniquement les pièces de rechange fournies ou recommandées par Axis.
- Ne pas essayer de réparer ce produit vous-même. Contacter l'assistance technique d'Axis ou votre revendeur Axis pour des problèmes liés à l'entretien.

Transport

AVIS

- Lors du transport du produit Axis, utilisez l'emballage d'origine ou un équivalent pour éviter d'endommager le produit.

Guide d'installation

Ce guide d'installation explique comment installer le boîtier d'extérieur AXIS T93F20 et le boîtier de protection AXIS T93F05.

Pour installer la caméra sur le réseau, consultez le guide d'installation fourni avec la caméra. Pour obtenir de plus amples détails relatifs à la caméra, consultez le manuel de l'utilisateur, disponible sur le site www.axis.com

Procédures d'installation

1. Assurez-vous que les outils et autres matériels nécessaires à l'installation sont inclus dans l'emballage. Cf. *page 23*.
2. Consultez la description du matériel. Cf. *page 24*.
3. Étudiez les caractéristiques. Cf. *page 27*.
4. Installez le matériel. Cf. *page 29*.

Contenu de l'emballage

- Boîtier d'extérieur AXIS T93F20/Boîtier de protection AXIS T93F05
- Fixation murale AXIS T94Q01A avec chemin de câble interne
- Protection du connecteur AXIS A
- Embout pour vis T30
- Sachet déshydratant
- (AXIS T93F20) Câble réseau – pour connecter la caméra au boîtier
- Documents imprimés
 - Guide d'installation (ce document)
 - Guide d'installation pour fixation murale AXIS T94Q01A

Outils recommandés

- Perceuse pour installer la fixation murale
- Tournevis Torx T20

Accessoires en option

- Pare-soleil AXIS A
- Support format Corridor A/B AXIS
- Interrupteur de porte AXIS A

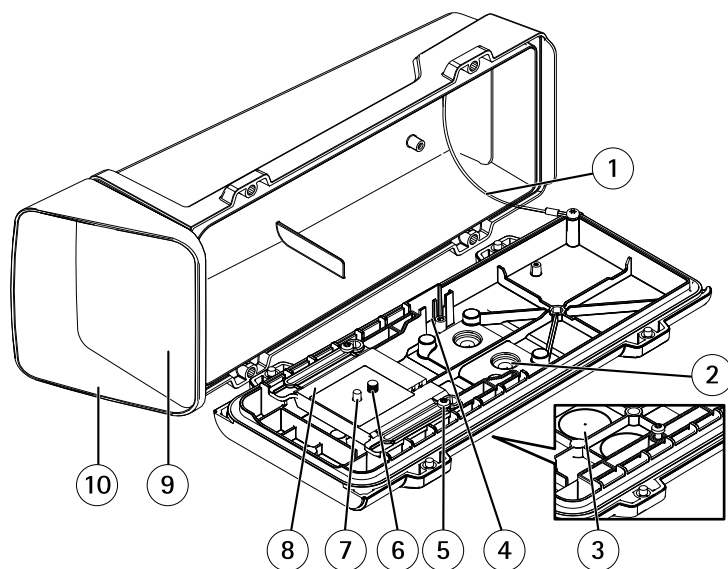
AXIS T93F Series

- Boîtier arrière destiné au conduit de l'AXIS T94R01P
- Illuminateurs
- Supports de la caméra
- Joints de câble et presse-étoupes

Pour plus d'informations sur les accessoires disponibles, consultez le site www.axis.com

Aperçu du matériel

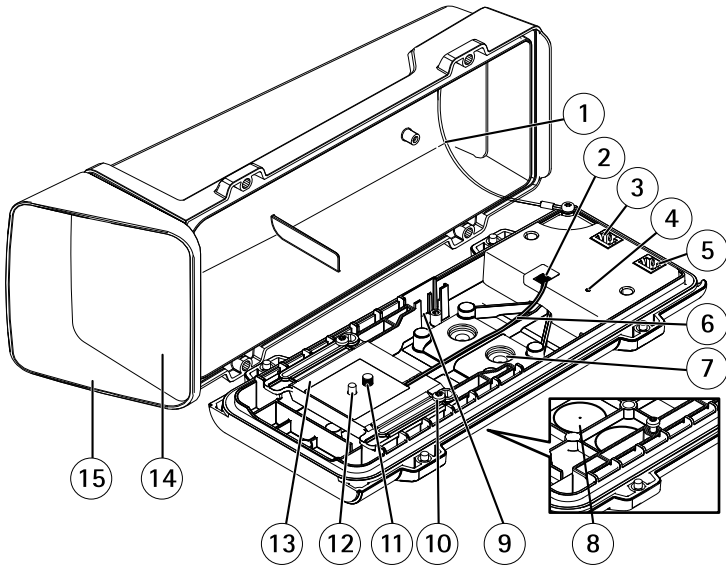
Boîtier



Boîtier de protection AXIS T93F05

- 1 Câble de sécurité
- 2 Joint de câble M20 (x2)
- 3 Perforation (x2)
- 4 Logement pour commutateur d'alarme d'intrusion – prend en charge l'interrupteur de porte AXIS A (vendu séparément)
- 5 Vis du support T20 (x2)
- 6 Vis de la caméra T20
- 7 Broche
- 8 Support
- 9 Fenêtre

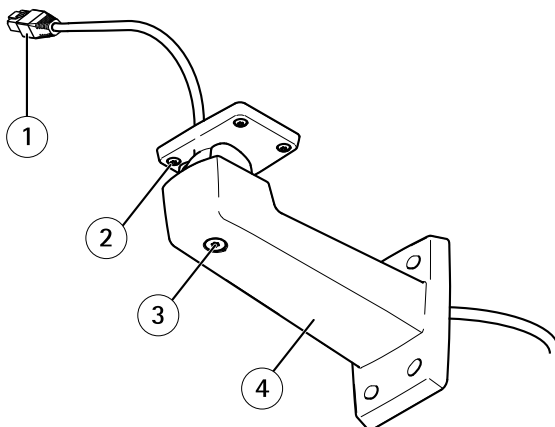
10 Couvercle supérieur



Boîtier d'extérieur AXIS T93F20

- 1 Câble de sécurité
- 2 Connecteur de régulateur de chauffage
- 3 Connecteur réseau (PoE OUT)
- 4 Voyant d'état
- 5 Connecteur réseau (PoE IN)
- 6 Câble de régulateur de chauffage
- 7 Joint de câble M20 (x2)
- 8 Perforation (x2)
- 9 Logement pour commutateur d'alarme d'intrusion – prend en charge l'interrupteur de porte AXIS A (vendu séparément)
- 10 Vis du support T20 (x2)
- 11 Vis de la caméra T20
- 12 Broche
- 13 Support
- 14 Fenêtre
- 15 Couvercle supérieur

Fixation murale



- 1 Câble réseau (acheminé à travers le support mural)
- 2 Vis T20 (x4)
- 3 Vis de réglage du support T30
- 4 Support mural

Voyants (AXIS T93F20)

Voyant	Couleur	Indication
État	Vert	Fonctionnement normal
	Clignote une seule fois en vert	Erreur au niveau du régulateur de chauffage
	Clignote trois fois en vert	Erreur générale

Connecteurs et boutons

Pour les caractéristiques et les conditions d'utilisation, consultez *page 27*.

Connecteur réseau (AXIS T93F20)

Connecteur Ethernet RJ45. Prend en charge l'alimentation par Ethernet (PoE).

- PoE IN – Fournit au boîtier l'alimentation et Ethernet. Connectez-vous au réseau via un commutateur réseau PoE.

- PoE OUT – Fournit à la caméra l'alimentation et Ethernet. Connectez le boîtier à la caméra.

AVIS

Les réglementations locales ou les conditions environnementales et électriques dans lesquelles le produit est utilisé peuvent nécessiter l'utilisation d'un câble réseau blindé (STP). Tous les câbles réseau qui sont acheminés à l'extérieur ou dans des environnements électriques exigeants doivent être destinés à leur usage spécifique. Assurez-vous que les périphériques réseau sont installés conformément aux instructions du fabricant. Pour plus d'informations sur les exigences réglementaires, consultez *Regulatory Information on page 2*.

Connecteur de régulateur de chauffage (AXIS T93F20)

Bloc terminal à 4 broches utilisé pour alimenter le capteur de température et de chauffage intégré du support.

Caractéristiques techniques

Conditions d'utilisation

L'appareil Axis est destiné à un usage intérieur ou extérieur.

Classification	
AXIS T93F05/AXIS T93F20	IEC 60721-4-3 Classe 4M4 IEC 60529 IP66 NEMA 250 Type 4X

Température		
AXIS T93F05 ¹ /AXIS T93F20		De -40 °C à 60 °C (de -40 °F à 140 °F)
AXIS T93F05 ¹	Série AXIS P13	De 0 °C à 45 °C (de 32 °F à 113 °F)
	AXIS Q1602/Q1604/Q1614 :	De 0 °C à 45 °C (de 32 °F à 113 °F)
	AXIS Q1615	De 0 °C à 50 °C (de 32 °F à 122 °F)
AXIS T93F20	Série AXIS P13	De -40 °C à 45 °C (de -40 °F à 113 °F)
	AXIS Q1602/Q1604/Q1614 :	De -40 °C à 45 °C (de -40 °F à 113 °F)
	AXIS Q1615	De 0 °C à 50 °C (de 32 °F à 122 °F)

- AXIS T93F05 ne dispose pas d'un régulateur de chauffage. Par conséquent, la température de fonctionnement est déterminée par la température de fonctionnement de la caméra encastree.

AXIS T93F Series

Important

(AXIS T93F20) Lorsque la température ambiante est inférieure à 0 °C (32 °F), le démarrage peut prendre jusqu'à 60 minutes. Plus la température est basse, plus le démarrage est long.

Humidité	
AXIS T93F05/AXIS T93F20	Humidité relative de 15 à 100 % (condensation)

Conditions de stockage

Température	
AXIS T93F05/AXIS T93F20	De -40 °C à 75 °C (de -40 °F à 167 °F)

Consommation électrique

Produit	Alimentation
AXIS T93F05	Sans objet
AXIS T93F20	Alimentation par Ethernet IEEE 802.3af/802.3at Type 1 Classe 3, max. 15,4 W

Zone de câble

AVIS

- Utilisez des câbles adaptés à la zone spécifiée.
- Sélectionnez des câbles conformes à la législation locale.
- Assurez-vous que les trous de câbles sont correctement obturés.

Diamètre	AWG
5–15 mm (0,197–0,591")	Environ 4–6/0

Pour créer d'autres trous de câbles, ouvrez les perforations situées sous le support. Cf. *Aperçu du matériel* page 24.

AVIS

Utilisez des joints de câble et des presse-étoupes adaptés aux trous de câbles et à la zone de câble.

Pour plus d'informations sur les accessoires, tels que les joints de câble et les presse-étoupes adaptés à d'autres zones de câble, consultez www.axis.com

Installation du matériel

AVIS

- Les réglementations locales ou les conditions environnementales et électriques dans lesquelles le produit est utilisé peuvent nécessiter l'utilisation d'un câble réseau blindé (STP). Tous les câbles réseau qui sont acheminés à l'extérieur ou dans des environnements électriques exigeants doivent être destinés à leur usage spécifique. Assurez-vous que les périphériques réseau sont installés conformément aux instructions du fabricant.
 - (AXIS T93F05) Pour plus d'informations sur les exigences réglementaires, reportez-vous au guide d'installation de la caméra.
 - (AXIS T93F20) Pour plus d'informations sur les exigences réglementaires, reportez-vous à *Regulatory Information on page 2*
- Veillez à ne pas rayer, endommager ou laisser d'empreintes sur la fenêtre car cela pourrait altérer la qualité d'image. Laissez, si possible, la protection en plastique sur la fenêtre du boîtier jusqu'à la fin de l'installation.

Le produit Axis peut être installé avec des câbles acheminés à travers ou le long du mur.

Lisez toutes les instructions avant l'installation de l'appareil :

1. Installez la fixation murale. Cf. *page 29*. Pour obtenir des instructions détaillées, reportez-vous au guide d'installation de la fixation murale disponible dans la boîte ou sur le site www.axis.com.
2. Placez le boîtier sur la fixation murale. Cf. *page 30*.
3. Installez la caméra dans le boîtier. Cf. *page 32*.

Installation de la fixation murale

⚠ATTENTION

Assurez-vous que les vis et les fiches sont adaptées au matériau (bois, métal, carton-plâtre, pierre, etc.) et que le matériau est suffisamment résistant pour supporter le poids combiné de la caméra, du boîtier et du support mural.

1. Préparez le mur pour l'installation du support mural. Utilisez le support mural comme gabarit et marquez les trous avant de les percer.
2. Acheminez le câble réseau à travers le support mural. Laissez environ 30 cm (11,8") de câble pour la connexion de la caméra.
3. Si vous connectez un périphérique auxiliaire (par exemple, un périphérique d'entrée/sortie, audio ou d'alimentation externe) à la caméra, répétez l'étape ci-dessus pour chaque périphérique.

- Placez la fixation murale contre le mur et serrez les vis.

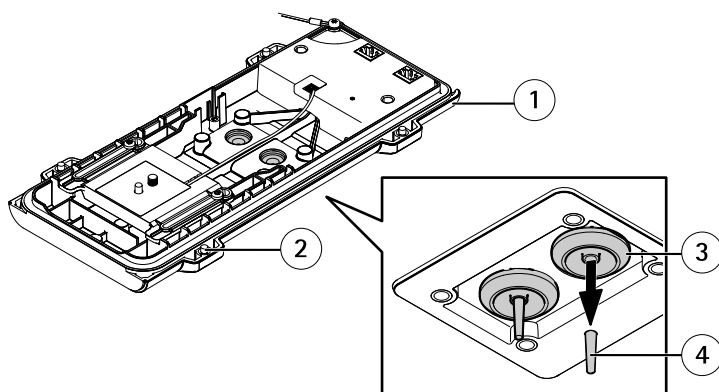
Note

- Pour obtenir des instructions détaillées, reportez-vous au guide d'installation de la fixation murale disponible dans la boîte et sur le site www.axis.com.
- Pour plus de caractéristiques techniques, reportez-vous au manuel d'utilisation de la caméra disponible sur www.axis.com

Placement du boîtier sur la fixation murale

AVIS

- Utilisez des câbles adaptés à la zone spécifiée. Reportez-vous à la section *page 28*. L'utilisation d'un joint de câble autre que celui fourni risque d'entraîner une infiltration d'eau et d'endommager le produit. Pour plus d'informations sur les joints de câble et les presse-étoupes adaptés à d'autres zones de câble, consultez www.axis.com
 - Si vous utilisez plus d'un câble, chaque câble doit être acheminé au travers d'un joint de câble distinct.
 - Ouvrez uniquement un trou dans les joints de câble qui seront utilisés. Si un joint de câble est endommagé, remplacez-le par un nouveau. L'utilisation d'un joint de câble ouvert ou endommagé risque d'entraîner une infiltration d'eau et d'endommager le produit.
- Desserrez les vis du couvercle inférieur et soulevez le couvercle supérieur.
 - Sélectionnez le joint de câble à utiliser et tirez sur la patte pour ouvrir un trou au niveau du câble réseau.



Exemple illustré : AXIS T93F20

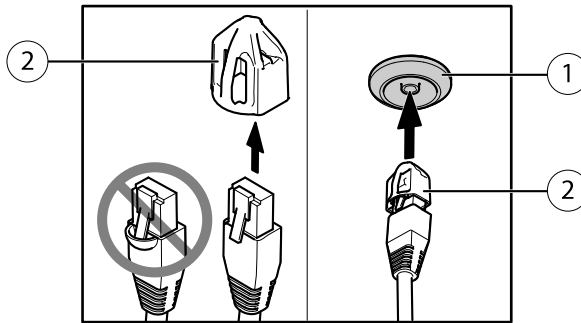
- Couvercle inférieur
- Vis du couvercle inférieur T20 (x4)

- 3 Joint de câble M20 (x2)
- 4 Patte

3. Faites passer le câble réseau à travers le joint de câble.

AVIS

Si le câble réseau dispose d'un connecteur réseau pré-installé, retirez le joint de câble et utilisez la protection du connecteur pour éviter tout endommagement du joint de câble. Évitez d'utiliser des connecteurs réseau recouverts car ils peuvent endommager le joint de câble, et ce, malgré la protection.

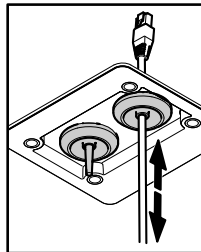


- 1 Joint de câble M20 (x2)
- 2 Protection du connecteur

4. Tirez légèrement sur le câble réseau pour que le joint s'ajuste.

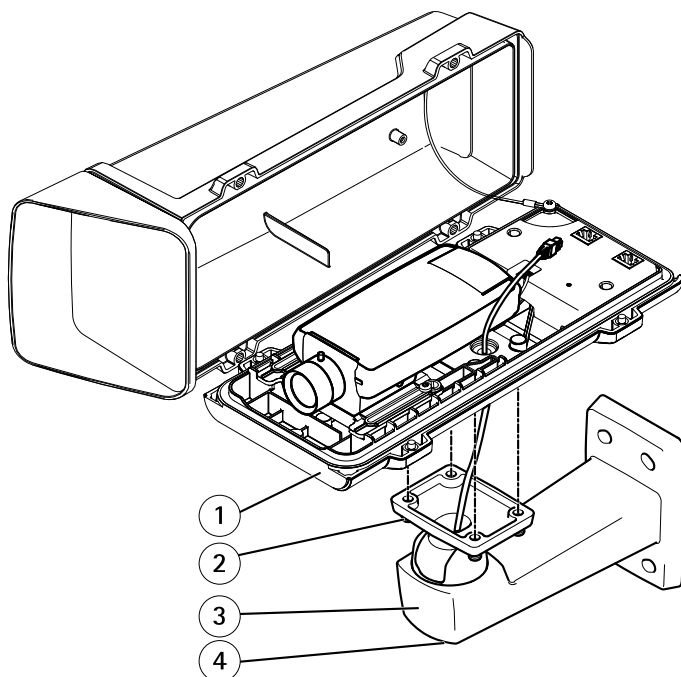
AVIS

Si vous ne tirez pas sur le câble, il existe un risque d'infiltration d'eau et d'endommagement du produit.



5. Assurez-vous que le joint de câble est correctement installé.

6. Si vous connectez un périphérique auxiliaire (par exemple, un périphérique d'entrée/sortie, audio ou d'alimentation externe) à la caméra, répétez les étapes ci-dessus pour chaque périphérique.
7. Placez le couvercle inférieur sur la fixation murale et serrez les vis (couple 2 Nm).



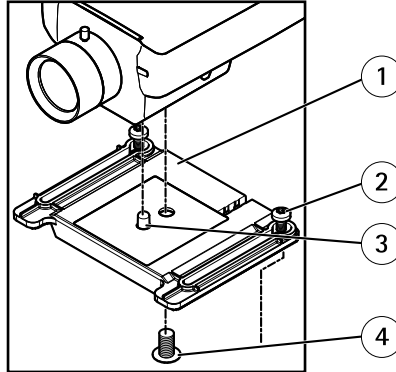
Exemple illustré : Série AXIS T93F20 et AXIS P13

- 1 Couvercle inférieur
- 2 Vis T20 (x4)
- 3 Support mural
- 4 Vis de réglage du support T30

Installation de la caméra dans le boîtier

1. Desserrez les vis du support, faites glisser le support, puis retirez-le.
2. Fixez le support à la caméra. Alignez la broche et la vis de la caméra avec le trou de la broche et la fixation de la vis sur la caméra, puis serrez la vis de la caméra (couple 1 Nm). Veillez à ne pas trop la serrer.

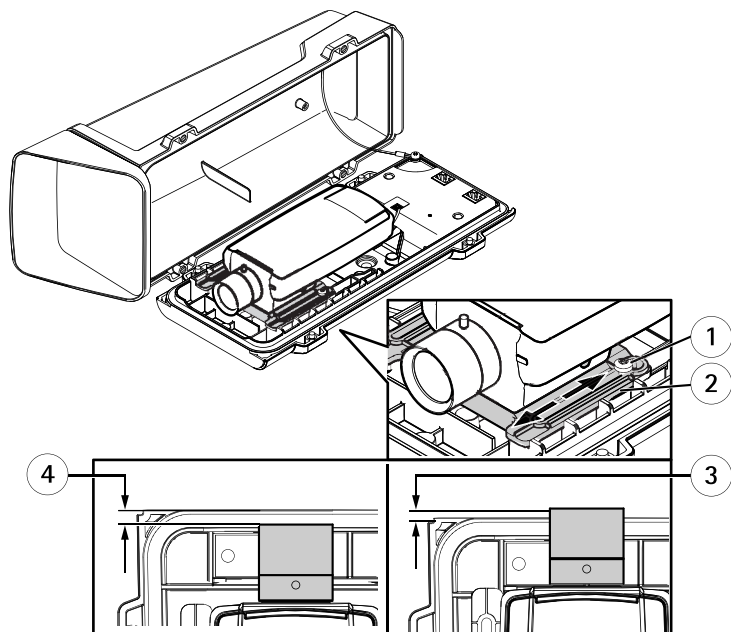
(AXIS T93F20) Pour faciliter la fixation du support à la caméra, vous pouvez déconnecter temporairement le régulateur de chauffage de son connecteur sur le couvercle inférieur. Cf. *Aperçu du matériel*.



- 1 Support
- 2 Vis du support T20 (x2)
- 3 Broche
- 4 Vis de la caméra T20

3. Si vous connectez des périphériques externes/d'entrée, des périphériques audio ou une source d'alimentation externe à la caméra, connectez-les conformément aux instructions fournies dans le guide d'installation de la caméra.
4. Fixez le support au couvercle inférieur. Ajustez précisément la position du support, puis serrez les vis de ce dernier (couple 0,5 Nm).

AXIS T93F Series



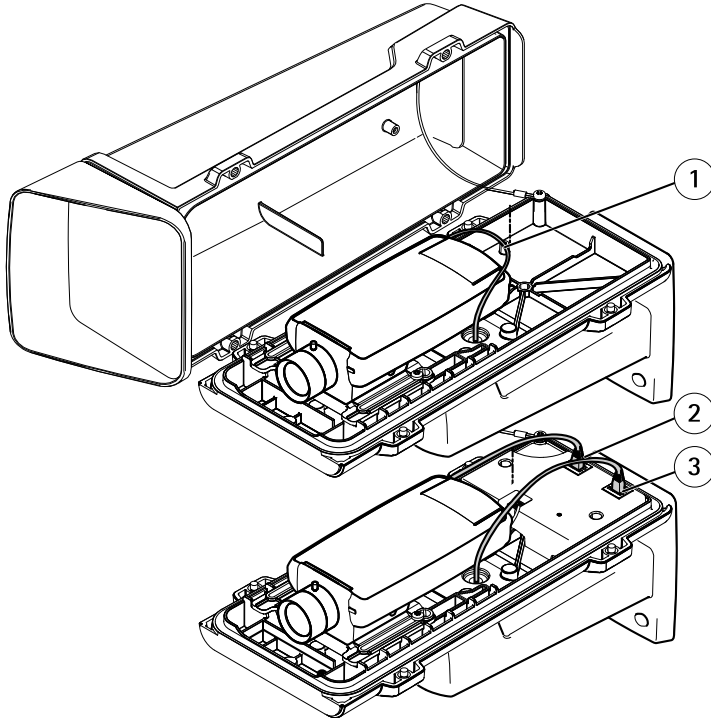
Exemple illustré : Série AXIS T93F20 et AXIS P13

- 1 Vis du support T20 (x2)
- 2 Support
- 3 Position A (chevauchement) : +3,7 mm (+0,15")
- 4 Position B (écart) : De -6 mm à -4 mm (de -0,24" à -0,16")

AVIS

- Position A : Pour éviter toute réflexion de l'image, ajustez la position du support de sorte que le bord de l'objectif de la caméra chevauche le bord du couvercle inférieur d'environ +3,7 mm (+0,15"). Cette position annule la certification IK10.
 - Position B : Pour vous conformer aux exigences de la certification IK10, ajustez la position du support de sorte que l'écart entre l'objectif de la caméra et les bords du couvercle inférieur se situe entre -6 mm et -4 mm (-0,24" et -0,16").
5. (AXIS T93F20) Si le régulateur de chauffage a été déconnecté, reconnectez son câble au connecteur sur le couvercle inférieur.
 6. Si vous utilisez une carte SD en tant qu'espace de stockage local, insérez la carte dans le logement prévu à cet effet sur la caméra.
 7. Branchez les câbles réseau.

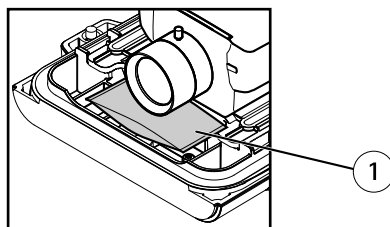
- (AXIS T93F05) Connectez la caméra au réseau.
- (AXIS T93F20) Connectez le boîtier au réseau (PoE IN) et la caméra au boîtier (PoE OUT).



Exemples illustrés : Série AXIS T93F05 (en haut), AXIS T93F20 (en bas) et AXIS P13

- 1 Câble réseau
 - 2 Connecteur réseau (PoE OUT)
 - 3 Connecteur réseau (PoE IN)
8. (AXIS T93F20) Vérifiez que le voyant d'état sur le boîtier indique les conditions correctes. Cf. *Voyants (AXIS T93F20) page 26*.
 9. Vérifiez que les voyants sur la caméra indiquent les conditions correctes. Reportez-vous au guide d'installation de la caméra.
 10. Desserrez la vis de réglage du support afin d'orienter la caméra dans la direction voulue. Pour plus d'informations sur la visualisation du flux de données vidéo, reportez-vous au guide d'installation de la caméra ou consultez www.axis.com/techsup.

11. Retirez l'emballage plastique du sachet déshydratant et placez le sachet déshydratant sous l'objectif.



1 Sachet déshydratant

12. Fermez le boîtier. Assurez-vous de serrer en alternance les vis du couvercle inférieur de quelques tours à la fois jusqu'à ce qu'elles soient toutes bien serrées (couple 1,5 Nm). Cela permettra de garantir que le joint du couvercle inférieur est comprimé de façon régulière.

AVIS

Assurez-vous de ne pincer aucun câble à la fermeture du boîtier.

13. Retirez la protection en plastique de la fenêtre du boîtier.
14. Si vous utilisez un pare-soleil (vendu séparément), placez-le sur le couvercle supérieur, ajustez sa position et serrez les vis.

Pour obtenir plus de renseignements

Visitez le centre d'apprentissage en ligne Axis sur le site www.axis.com/academy pour en savoir plus sur les formations, les webinaires, les tutoriels et les guides.

Informations sur la garantie

Pour obtenir plus d'amples informations sur la garantie du produit AXIS et des renseignements connexes, allez sur le site www.axis.com/warranty/

Sicherheitsinformation

Lesen Sie das Installationshandbuch sorgfältig durch bevor sie das Produkt installieren. Bewahren Sie das Installationshandbuch für zukünftige Zwecke auf.

Gefährdungsstufen

▲GEFAHR

Weist auf eine gefährliche Situation hin, die, falls nicht verhindert, zu Tod oder schweren Verletzungen führt.

▲WARNUNG

Weist auf eine gefährliche Situation hin, welche, falls nicht verhindert, zu Tod oder schweren Verletzungen führen kann.

▲VORSICHT

Weist auf eine gefährliche Situation hin, welche, falls nicht verhindert, zu geringfügiger oder mäßiger Verletzung führen kann.

HINWEIS

Weist auf eine gefährliche Situation hin, welche, falls nicht verhindert, zu Sachschäden führen kann.

Weitere Nachrichtenstufen

Wichtig

Weist auf wichtige Informationen hin, die den richtigen Betrieb des Produkts gewährleisten.

Beachten

Weist auf nützliche Informationen hin, die die optimale Verwendung des Produkts unterstützen.

Sicherheitsanweisungen

HINWEIS

- Die Anwendung des Axis Produkts muss unter Beachtung der örtlich geltenden rechtlichen Bestimmungen erfolgen.
- Lagern Sie das Axis Produkt in einer trockenen und belüfteten Umgebung.
- Achten Sie darauf, dass das Axis Produkt weder Stößen noch starkem Druck ausgesetzt ist.
- Installieren Sie das Produkt nicht an instabilen Halterungen, Oberflächen oder Wänden.
- Verwenden Sie bei der Installation des Axis Produkts ausschließlich passende Werkzeuge. Ein zu großer Kraftaufwand kann das Produkt beschädigen.
- Verwenden Sie keine chemischen, ätzenden oder aerosolhaltigen Reinigungsmittel. Verwenden Sie zum Reinigen ein sauberes, mit lauwarmem Wasser angefeuchtetes Tuch.
- Verwenden Sie nur Zubehör, das den technischen Daten des Produkts entspricht. Dieses ist von Axis oder Drittanbietern erhältlich.
- Verwenden Sie ausschließlich Ersatzteile die von Axis bereitgestellt oder empfohlen werden.
- Versuchen Sie nicht, das Produkt selbstständig zu reparieren. Wenden Sie sich bezüglich Reparatur und Wartung an den Axis Support oder Ihren Axis Händler.

Transport

HINWEIS

- Bei Bedarf transportieren Sie das Axis Produkt in der Originalverpackung oder einer entsprechenden Verpackung, so dass Schäden vermieden werden.

Installationsanleitung

In dieser Anleitung wird die Installation des AXIS T93F20 Außengehäuses und des AXIS T93F05 Schutzgehäuses beschrieben.

Anweisungen zur Installation der Kamera im Netzwerk finden Sie in der Installationsanleitung zu der Kamera. Weitere Informationen zur Kamera finden Sie im Benutzerhandbuch unter www.axis.com.

Installationsschritte

1. Stellen Sie sicher, dass die Packungsinhalte, Werkzeuge und andere notwendige Materialien für die Installation in Ordnung sind. Siehe *Seite 39*.
2. Machen Sie sich mit der Hardware-Übersicht vertraut. Siehe *Seite 40*.
3. Machen Sie sich mit den technischen Daten vertraut. Siehe *Seite 43*.
4. Installieren Sie die Hardware. Siehe *Seite 45*.

Lieferumfang

- AXIS T93F20 Außengehäuse/AXIS T93F05 Schutzgehäuse
- AXIS T94Q01A Wandhalterung mit innenliegendem Kabelkanal
- AXIS Anschlussstück A
- Schraubenset T30
- Antikondensationsbeutel
- (AXIS T93F20) Netzwerkkabel zum Anschließen der Kamera an das Gehäuse
- Dokumente
 - Installationsanleitung (dieses Dokument)
 - Installationsanleitung für die AXIS T94Q01A Wandhalterung

Empfohlene Werkzeuge

- Bohrmaschine zur Montage der Wandhalterung
- Torx T20-Schraubendreher

Optionales Zubehör

- AXIS Sonnenschutz A
- AXIS Corridor Format-Halterung A/B
- AXIS Türschalter A
- AXIS T94R01P Kabelführungsdose

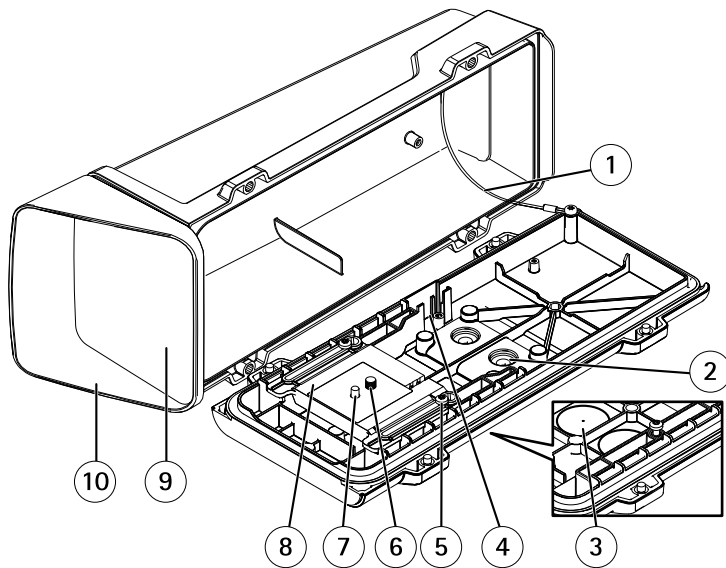
AXIS T93F Series

- Beleuchtung
- Kamera-Montagesätze
- Kabeldichtungen und Kabelverschraubungen

Unter www.axis.com finden Sie Informationen über verfügbares Zubehör.

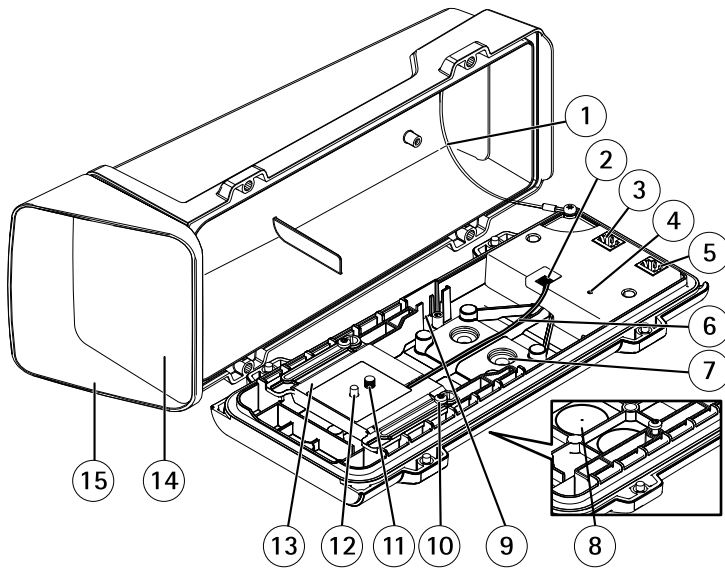
Übersicht über die Hardware

Gehäuse



AXIS T93F05 Schutzgehäuse

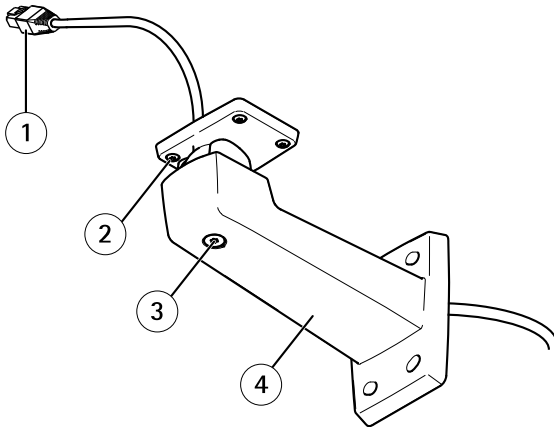
- 1 Sicherheitsdraht
- 2 Kabeldichtung M20 (2x)
- 3 Aufbohrung (2x)
- 4 Einschub für Einbruchalarmschalter – unterstützt AXIS Türschalter A (separat erhältlich)
- 5 Schraube T20 für Halter (2x)
- 6 Schraube T20 für Kamera
- 7 Kontakt
- 8 Halter
- 9 Fenster
- 10 Obere Abdeckung



AXIS T93F20 Außengehäuse

- 1 Sicherheitsdraht
- 2 Anschluss für Heizelement
- 3 Netzwerkanschluss (PoE-Ausgang)
- 4 LED-Statusanzeige
- 5 Netzwerkanschluss (PoE-Eingang)
- 6 Kabel für Heizelement
- 7 Kabeldichtung M20 (2x)
- 8 Aufbohrung (2x)
- 9 Einschub für Einbruchalarmschalter – unterstützt AXIS Türschalter A (separat erhältlich)
- 10 Schraube T20 für Halter (2x)
- 11 Schraube T20 für Kamera
- 12 Kontakt
- 13 Halter
- 14 Fenster
- 15 Obere Abdeckung

Wandmontage



- 1 *Netzwerkabel (durch Wandhalterung führen)*
- 2 *Schraube T20 (4x)*
- 3 *Einstellschraube T30 für Halterung*
- 4 *Wandhalterung*

LED-Anzeigen (AXIS T93F20)

LED	Farbe	Bedeutung
Status	Grün	Normaler Betrieb
	Grünes, einmaliges Blinken	Probleme mit dem Heizelement
	Grünes, dreifaches Blinken	Allgemeiner Fehler

Anschlüsse und Tasten

Für die technischen Daten und Betriebsbedingungen siehe *Seite 43*.

Netzwerkanschluss (AXIS T93F20)

RJ45-Ethernetanschluss. Unterstützt Power over Ethernet (PoE).

- PoE-Eingang – zur Stromversorgung des Gehäuses und Ethernet. Netzwerkanschluss über einen PoE-fähigen Netzwerkschalt.

- PoE-Ausgang – zur Stromversorgung der Kamera und Ethernet. Verbindung zwischen Gehäuse und Kamera.

HINWEIS

Aufgrund örtlicher Vorschriften oder der Umgebungsbedingungen und elektrischen Bedingungen, unter denen das Produkt verwendet wird, kann ein abgeschirmtes Netzwerkabel (STP) empfehlenswert oder notwendig sein. Alle Netzwerkabel des Produkts, die im Außenbereich oder in schwierigen elektrischen Umgebungen verlegt werden, müssen hierfür ausgelegt sein. Stellen Sie sicher, dass die Netzwerkgeräte gemäß den Anweisungen des Herstellers installiert wurden. Informationen zu gesetzlichen Bestimmungen finden Sie unter *Regulatory Information on page 2*.

Anschluss für Heizelement (AXIS T93F20)

4-poliger Anschlussblock für die Stromversorgung des Heizelements und des Temperatursensors, die in den Halter integriert sind.

Technische Daten

Betriebsbedingungen

Das Axis Produkt ist für die Verwendung im Innen- und Außenbereich ausgelegt.

Klassifikation	
AXIS T93F05/AXIS T93F20	IEC 60721-4-3 Klasse 4M4 IEC 60529 IP66 NEMA 250 Type 4X

Temperatur		
AXIS T93F05 ¹ /AXIS T93F20		-40 °C bis 60 °C
AXIS T93F05 ¹	AXIS P13-Serie	0 °C bis 45 °C
	AXIS Q1602/Q1604/Q1614	0 °C bis 45 °C
	AXIS Q1615	0 °C bis 50 °C
AXIS T93F20	AXIS P13-Serie	-40 °C bis 45 °C
	AXIS Q1602/Q1604/Q1614	-40 °C bis 45 °C
	AXIS Q1615	0 °C bis 50 °C

1. AXIS T93F05 verfügt nicht über ein Heizelement. Daher wird die Betriebstemperatur über die Betriebstemperatur der enthaltenen Kamera bestimmt.

AXIS T93F Series

Wichtig

(AXIS T93F20) Liegt die Umgebungstemperatur unter 0 °C, kann die Inbetriebnahme bis zu 60 Minuten dauern. Je kälter die Temperatur, desto länger dauert die Inbetriebnahme.

Luftfeuchtigkeit	
AXIS T93F05/AXIS T93F20	15 bis 100 % relative Luftfeuchtigkeit (kondensierend)

Lagerbedingungen

Temperatur	
AXIS T93F05/AXIS T93F20	-40 °C bis 75 °C

Stromverbrauch

Produkt	Netzteil
AXIS T93F05	Keine Angabe
AXIS T93F20	Power over Ethernet IEEE 802.3af/802.3at Typ 1 Klasse 3, max. 15,4 W

Kabelbereich

HINWEIS

- Verwenden Sie Kabel aus dem angegebenen Kabelbereich.
- Verwenden Sie Kabel, die den örtlichen Vorschriften entsprechen.
- Stellen Sie sicher, dass alle Kabeldurchführungen ordnungsgemäß verschlossen sind.

Durchmesser	AWG
5–15 mm	ca. 4–6/0

Öffnen Sie für zusätzliche Kabeldurchführungen die Aufbohrungen unter dem Halter. Siehe *Hardware Overview on page 8*.

HINWEIS

Verwenden Sie Kabeldichtungen oder Kabelverschraubungen, die sowohl zur Kabeldurchführung als auch zum Kabelbereich passen.

Unter www.axis.com finden Sie Informationen über Zubehör wie Kabeldichtungen und Kabelverschraubungen für andere Kabelbereiche.

Installieren der Hardware

HINWEIS

- Aufgrund örtlicher Vorschriften oder der Umgebungsbedingungen und elektrischen Bedingungen, unter denen das Produkt verwendet wird, kann ein abgeschirmtes Netzwerkkabel (STP) empfehlenswert oder notwendig sein. Alle Netzwerkkabel des Produkts, die im Außenbereich oder in schwierigen elektrischen Umgebungen verlegt werden, müssen hierfür ausgelegt sein. Stellen Sie sicher, dass die Netzwerkgeräte gemäß den Anweisungen des Herstellers installiert wurden.
 - (AXIS T93F05) Informationen zu gesetzlichen Bestimmungen finden Sie in der Installationsanleitung der Kamera.
 - (AXIS T93F20) Informationen zu gesetzlichen Bestimmungen finden Sie unter *Regulatory Information on page 2*.
- Vermeiden Sie Kratzer, Beschädigungen oder Fingerabdrücke am Fenster, da dies die Bildqualität beeinträchtigen kann. Entfernen Sie die Schutzfolie auf dem Gehäusefenster nach Möglichkeit erst nachdem die Installation abgeschlossen ist.

Bei der Installation des Axis Produkts können die Kabel durch die Wand oder an der Wand entlang geführt werden.

Lesen Sie die Anweisungen, bevor Sie das Produkt installieren:

1. Montieren Sie die Wandhalterung. Siehe *Seite 45*. Ausführliche Anweisungen finden Sie in der beiliegenden Installationsanleitung für die Wandhalterung oder unter www.axis.com.
2. Befestigen Sie das Gehäuse an der Wandhalterung. Siehe *Seite 46*.
3. Bauen Sie die Kamera in das Gehäuse ein. Siehe *Seite 49*.

Montage der Wandhalterung

▲VORSICHT

Stellen Sie sicher, dass Sie die für das Material (z. B. Holz, Metall, Gipskarton, Stein) geeigneten Schrauben und Dübel verwenden und das Material stabil genug ist, um das Gesamtgewicht von Kamera, Gehäuse und Wandhalterung zu tragen.

1. Bereiten Sie die Wand für die Installation der Wandhalterung vor. Markieren Sie vor dem Bohren die Bohrlöcher mit der Wandhalterung als Vorlage.
2. Führen Sie das Netzwerkkabel durch die Wandhalterung. Lassen Sie zum Anschließen der Kamera ca. 30 cm Kabel frei.

3. Wenn Sie ein zusätzliches Gerät an die Kamera anschließen, z. B. ein E/A- oder Audiogerät bzw. ein externes Netzteil, wiederholen Sie die oben aufgeführten Schritte für jedes Gerät.
4. Halten Sie die Wandhalterung an die Wand, und ziehen Sie die Schrauben fest.

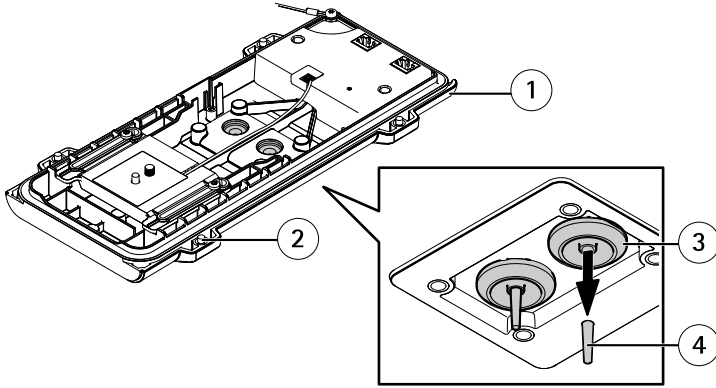
Beachten

- Ausführliche Anweisungen finden Sie in der beiliegenden Installationsanleitung für die Wandhalterung oder unter www.axis.com.
- Weitere technische Daten finden Sie im Benutzerhandbuch der Kamera unter www.axis.com

Befestigen des Gehäuses an der Wandhalterung

HINWEIS

- Verwenden Sie Kabel aus dem angegebenen Kabelbereich, siehe *Seite 44*. Wenn eine andere Kabeldichtung als die mitgelieferte verwendet wird, kann Wasser eindringen und das Produkt beschädigen. Unter www.axis.com finden Sie Informationen zu Kabeldichtungen und Kabelverschraubungen für andere Kabelbereiche.
 - Wird mehr als ein Kabel verwendet, muss jedes Kabel durch eine separate Kabeldichtung geführt werden.
 - Öffnen Sie bei den verwendeten Kabeldichtungen nur ein Loch. Wenn eine Kabeldichtung eingerissen ist, ersetzen Sie diese durch eine neue. Wenn eine Kabeldichtung geöffnet bleibt oder eine eingerissene Kabeldichtung verwendet wird, kann Wasser eindringen und das Produkt beschädigen.
1. Lösen Sie die Schrauben an der unteren Abdeckung, und heben Sie die obere Abdeckung an.
 2. Wählen Sie die zu verwendende Kabeldichtung aus, und ziehen Sie an der Lasche, um ein Loch für das Netzkabel zu öffnen.



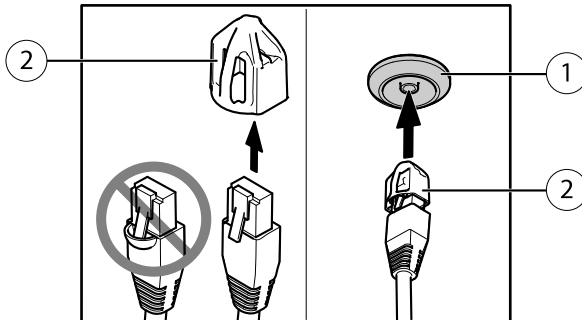
Beispielbild: AXIS T93F20

- 1 Untere Abdeckung
- 2 Schraube T20 für untere Abdeckung (4x)
- 3 Kabeldichtung M20 (2x)
- 4 Lasche

3. Führen Sie das Netzkabel durch die Kabeldichtung.

HINWEIS

Wenn das Netzkabel über einen vormontierten Netzwerkstecker verfügt, entfernen Sie die Kabeldichtung, und verwenden Sie das Anschlussstück, um ein Reißen der Kabeldichtung zu verhindern. Verwenden Sie keine Netzkabel, die Netzwerkstecker mit Deckeln aufweisen, da diese auch bei Verwendung des Anschlussstücks zum Reißen der Kabeldichtung führen können.



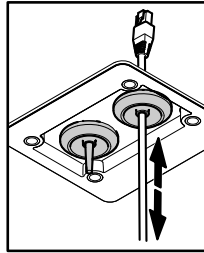
- 1 Kabeldichtung M20 (2x)
- 2 Anschlussstück

AXIS T93F Series

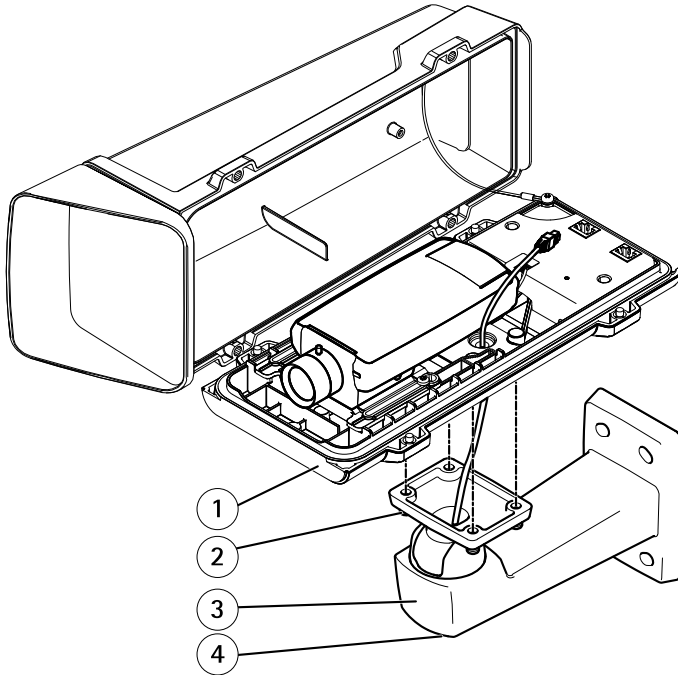
4. Ziehen Sie das Netzkabel ein wenig zurück, bis die Kabeldichtung bündig um das Kabel sitzt.

HINWEIS

Wird das Kabel nicht zurückgezogen, kann Wasser eindringen und das Produkt beschädigen.



5. Vergewissern Sie sich, dass die Kabeldichtung ordnungsgemäß sitzt.
6. Wenn Sie ein zusätzliches Gerät an die Kamera anschließen, z. B. ein E/A- oder Audiogerät bzw. ein externes Netzteil, wiederholen Sie die oben aufgeführten Schritte für jedes Gerät.
7. Setzen Sie die untere Abdeckung auf die Wandhalterung, und ziehen die Schrauben an (Drehmoment 2 Nm).



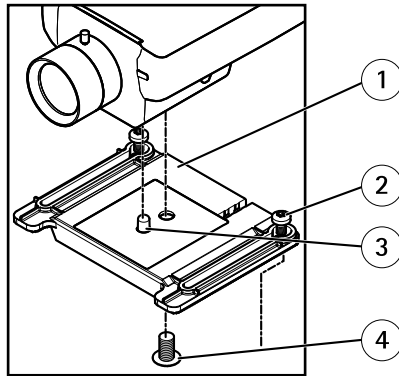
Beispielbild: AXIS T93F20 und AXIS P13-Serie

- 1 Untere Abdeckung
- 2 Schraube T20 (4x)
- 3 Wandhalterung
- 4 Einstellschraube T30 für Halterung

Einbauen der Kamera in das Gehäuse

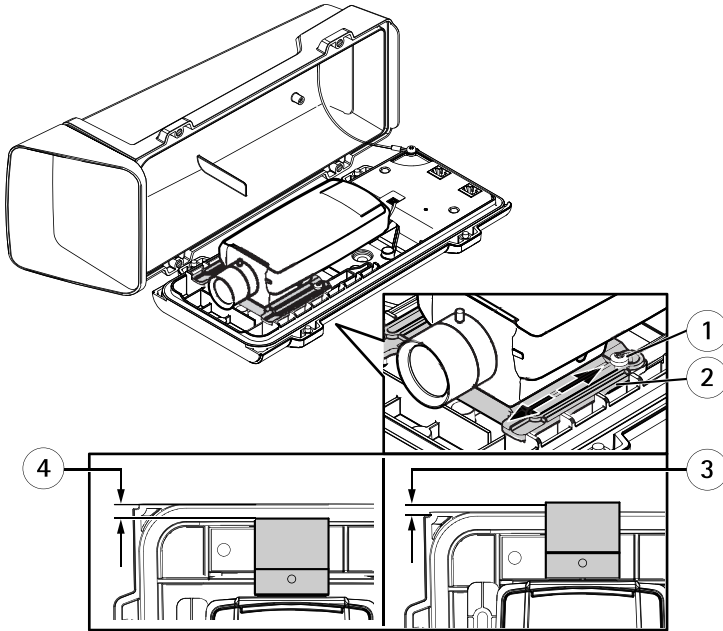
1. Lösen Sie die Schrauben des Halters, und schieben Sie anschließend den Halter, während Sie diesen anheben.
2. Bringen Sie den Halter an der Kamera an. Richten Sie den Kontakt und die Kammerschraube auf die Kontakt- und die Schraubenöffnung der Kamera aus, und ziehen Sie die Kammerschraube fest (Drehmoment 1 Nm). Achten Sie darauf, dass Sie die Schraube nicht überdrehen.

(AXIS T93F20) Sie können den Halter einfacher an der Kamera anbringen, wenn Sie das Heizelement vorübergehend vom Heizelementanschluss an der unteren Abdeckung trennen. Siehe *Übersicht über die Hardware*.



- 1 Halter
- 2 Schraube T20 für Halter (2x)
- 3 Kontakt
- 4 Schraube T20 für Kamera

- 3. Wenn Sie externe bzw. Eingabegeräte, Audiogeräte oder einen externen Netzteil an die Kamera anschließen, gehen Sie dabei entsprechend der Anweisungen in der Installationsanleitung der Kamera vor.
- 4. Bringen Sie den Halter an der unteren Abdeckung an. Gleichen Sie die Position des Halters vorsichtig an, und ziehen Sie die Schrauben des Halters fest (Drehmoment 0,5 Nm).



Beispielbild: AXIS T93F20 und AXIS P13-Serie

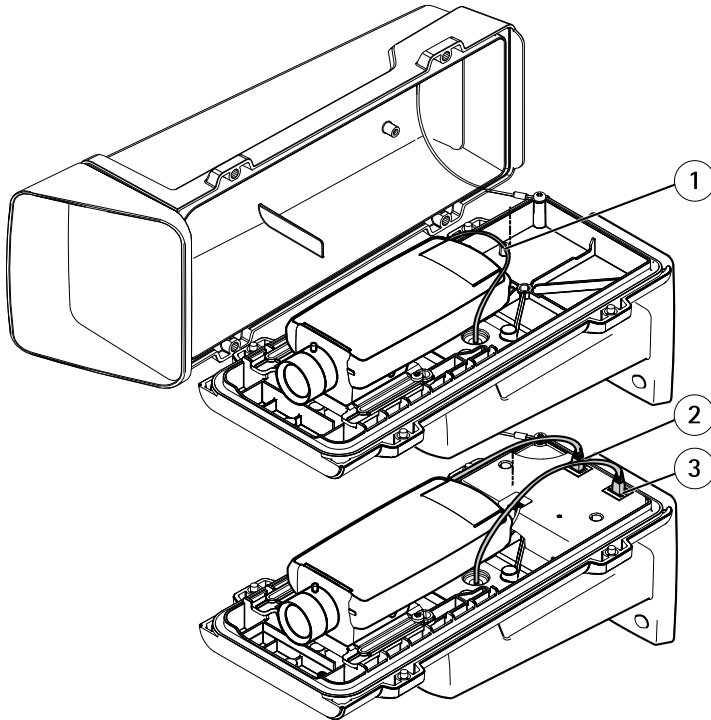
- 1 Schraube T20 für Halter (2x)
- 2 Halter
- 3 Position A (überlappend): +3,7 mm
- 4 Position B (Lücke): -6 mm bis -4 mm

HINWEIS

- Position A: Sie können Reflexionen im Bild vermeiden, indem Sie die Position des Halters so einstellen, dass der Rand des Kameraobjektivs mit dem Rand der unteren Abdeckung um +3,7 mm überlappt. Beachten Sie, dass diese Position nicht der IK10-Zertifizierung entspricht.
 - Position B: Die Anforderungen für die IK10-Zertifizierung können Sie erfüllen, indem Sie die Position des Halters so einstellen, dass die Lücke zwischen Kameraobjektiv und dem Rand der unteren Abdeckung zwischen -6 mm und -4 mm liegt.
5. (AXIS T93F20) Wenn das Heizelement getrennt wurde, schließen Sie dessen Kabel wieder an den Heizelementanschluss in der unteren Abdeckung an.
 6. Wenn Sie eine SD-Karte als lokalen Speicher verwenden, schieben Sie die Karte in den SD-Karteneinschub der Kamera.
 7. Schließen Sie die Netzkabel an.

AXIS T93F Series

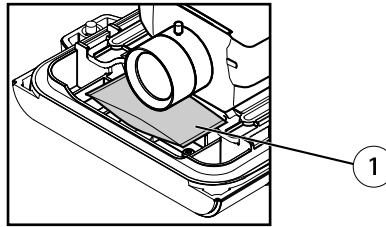
- (AXIS T93F05) Verbinden Sie die Kamera mit dem Netzwerk.
- (AXIS T93F20) Schließen Sie das Gehäuse an das Netzwerk (PoE-Eingang) und die Kamera am Gehäuse (PoE-Ausgang) an.



Beispielbilder: *AXIS T93F05 (oben), AXIS T93F20 (unten) und AXIS P13-Serie*

- 1 *Netzwerkkabel*
 - 2 *Netzwerkanschluss (PoE-Ausgang)*
 - 3 *Netzwerkanschluss (PoE-Eingang)*
8. (AXIS T93F20) Stellen Sie sicher, dass die Status-LED am Gehäuse den Betriebszustand ordnungsgemäß anzeigt. Siehe *LED-Anzeigen (AXIS T93F20) auf Seite 42*.
 9. Vergewissern Sie sich, dass die Kamera-LEDs die richtigen Bedingungen anzeigen. Weitere Informationen finden Sie in der Installationsanleitung für die Kamera.
 10. Lösen Sie die Einstellschraube der Halterung, und richten Sie die Kamera auf das gewünschte Ziel aus. Informationen zum Anzeigen des Videostreams finden Sie in der Installationsanleitung der Kamera oder unter www.axis.com/techsup.

- Entfernen Sie die Plastikschutzhülle des Antikondensationsbeutels, und legen Sie den Antikondensationsbeutel unter das Objektiv.



1 Antikondensationsbeutel

- Schließen Sie das Gehäuse. Ziehen Sie die Schrauben der unteren Abdeckung im Wechsel jeweils wenige Umdrehungen an, bis sie fest sitzen (Drehmoment 1,5 Nm). Auf diese Weise wird sichergestellt, dass die Dichtung der unteren Abdeckung gleichmäßig sitzt.

HINWEIS

Stellen Sie sicher, dass beim Schließen des Gehäuses keine Kabel eingeklemmt werden.

- Entfernen Sie die Schutzfolie vom Gehäusefenster.
- Wenn Sie einen Sonnenschutz verwenden (separat erhältlich), platzieren Sie diesen über der oberen Abdeckung, passen Sie die Position an, und ziehen Sie die Schrauben fest.

Weitere Informationen

Besuchen Sie das Axis-Schulungszentrum www.axis.com/academy für anregende Schulungen, Webinare, Lernprogramme und Anleitungen.

Garantieinformationen

Informationen zur Garantie der Axis Produkte und hierzu verbundene Informationen, finden Sie unter www.axis.com/warranty/

Informazioni di Sicurezza

Leggere questa Guida all'Installazione prima di installare il prodotto. Conservare la Guida all'Installazione per usi futuri.

Livelli di pericolo

▲PERICOLO

Indica una situazione pericolosa che, se non evitata, provoca morte o lesioni gravi.

▲AVVERTENZA

Indica una situazione pericolosa che, se non evitata, può provocare la morte o lesioni gravi.

▲ATTENZIONE

Indica una situazione pericolosa che, se non evitata, può provocare lesioni medie o minori.

AWISO

Indica una situazione che, se non evitata, può danneggiare la proprietà.

Livelli altro messaggio

Importante

Indica informazioni importanti, essenziali per il corretto funzionamento del prodotto.

Nota

Indica informazioni utili che aiutano a ottenere il massimo dal prodotto.

Istruzioni di sicurezza

AWISO

- Il prodotto Axis deve essere utilizzato in conformità alle leggi e alle disposizioni locali.
- Conservare il prodotto Axis in un ambiente asciutto e ventilato.
- Evitare di esporre il prodotto Axis a urti o pressioni eccessive.
- Non installare il prodotto su supporti, superfici o pareti instabili.
- Utilizzare solo strumenti applicabili quando si installa il prodotto Axis. Una forza eccessiva può causare danni al prodotto.
- Non utilizzare sostanze chimiche, agenti caustici o detergenti aerosol. Utilizzare un panno pulito inumidito in acqua pura per la pulizia.
- Utilizzare solo accessori compatibili con le specifiche tecniche del prodotto. Questi possono essere forniti da Axis o da terze parti.
- Utilizzare solo parti di ricambio fornite o consigliate da Axis.
- Non tentare di riparare il prodotto da soli. Contattare l'assistenza o il rivenditore Axis per questioni relative alla manutenzione.

Trasporti

AWISO

- Durante il trasporto del prodotto Axis, utilizzare l'imballaggio originale o equivalente per evitare danni al prodotto.

Guida all'installazione

Questa guida di installazione consente di installare l'alloggiamento per esterni AXIS T93F20 e la custodia protettiva AXIS T93F05.

Per installare la telecamera in rete, consultare la guida all'installazione in dotazione al prodotto. Per altre informazioni sull'utilizzo della telecamera, consultare la guida per l'utente sul sito www.axis.com

Procedure di installazione

1. Assicurarsi che il contenuto della confezione, gli strumenti e altri materiali necessari per l'installazione siano in ordine. Consultare *pagina 57*.
2. Studiare la descrizione dell'hardware. Consultare *pagina 58*.
3. Studiare le specifiche. Consultare *pagina 61*.
4. Installazione dell'hardware. Consultare *pagina 63*.

Contenuto della Confezione

- Alloggiamento per esterni AXIS T93F20/Custodia protettiva AXIS T93F05
- AXIS T94Q01A Supporto a parete e canalina interna per cavi
- Protezione del connettore AXIS A
- Punta da cacciavite T30
- Sacchetto dell'essiccante
- (AXIS T93F20) Cavo di rete per la connessione della telecamera all'alloggiamento
- Materiali stampati
 - Guida all'installazione (questo documento)
 - Guida all'installazione del supporto a parete AXIS T94Q01A

Strumenti consigliati

- Trapano per l'installazione del supporto a parete
- Cacciavite Torx T20

Accessori opzionali

- Parasole AXIS A
- Staffa AXIS Corridor Format A/B
- Interruttore per porta AXIS A

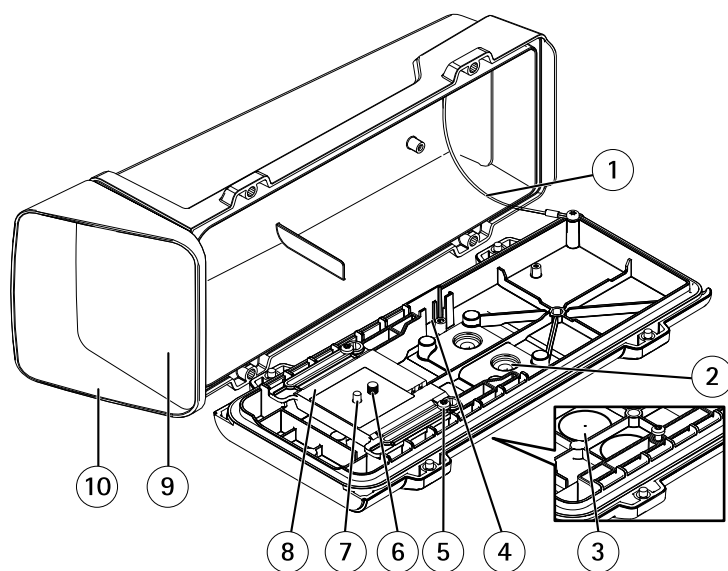
AXIS T93F Series

- AXIS T94R01P Alloggiamento per condotti
- Illuminatori
- Supporti per telecamera
- Pressacavi e guarnizioni per cavi

Visitare il sito Web www.axis.com per ottenere informazioni sugli accessori disponibili.

Panoramica dell'hardware

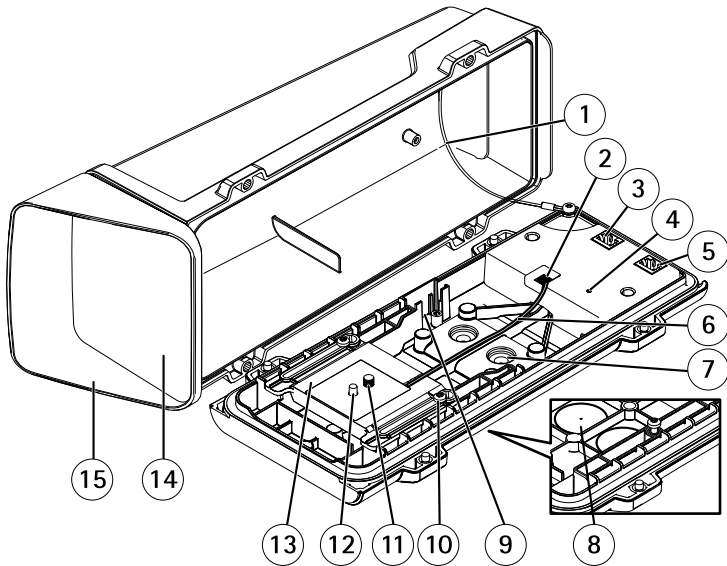
Alloggiamento



Alloggiamento protettivo AXIS T93F05

- 1 Cavo di sicurezza
- 2 Guarnizione cavo M20 (2x)
- 3 Preforo (2x)
- 4 Lo slot per l'interruttore dell'allarme anti intrusione è compatibile con l'interruttore per porta AXIS A (venduto separatamente)
- 5 Vite del supporto T20 (2x)
- 6 Vite della telecamera T20
- 7 Perno
- 8 Supporto
- 9 Finestra

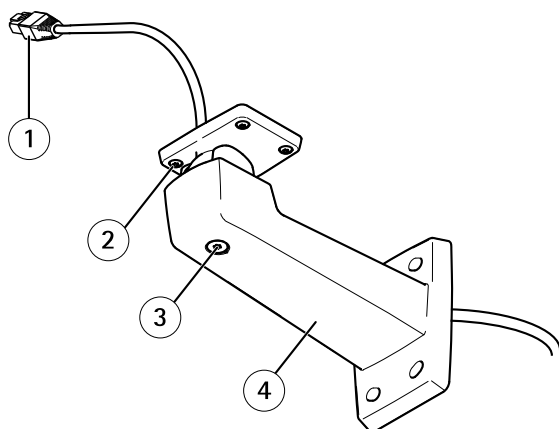
10 Coperchio superiore



Alloggiamento per esterni AXIS T93F20

- 1 Cavo di sicurezza
- 2 Morsettiera del riscaldatore
- 3 Connettore di rete (PoE OUT)
- 4 Indicatore LED di stato
- 5 Connettore di rete (PoE IN)
- 6 Cavo del riscaldatore
- 7 Guarnizione cavo M20 (2x)
- 8 Preforo (2x)
- 9 Lo slot per l'interruttore dell'allarme anti intrusione è compatibile con l'interruttore per porta AXIS A (venduto separatamente)
- 10 Vite del supporto T20 (2x)
- 11 Vite della telecamera T20
- 12 Perno
- 13 Supporto
- 14 Finestra
- 15 Coperchio superiore

Montaggio a parete



- 1 Cavo di rete (da instradare attraverso la staffa a parete)
- 2 Vite T20 (4x)
- 3 Vite di regolazione della staffa T30
- 4 Staffa a parete

Indicatori LED (AXIS T93F20)

LED	Colore	Indicazione
Stato	Verde	Utilizzo normale
	Verde, lampeggio singolo	Errore riscaldatore
	Verde, lampeggio triplo	Errore generale

Connettori e pulsanti

Per le specifiche e le condizioni di funzionamento, consultare *pagina 61*.

Connettore di rete (AXIS T93F20)

Connettore Ethernet RJ45. Supporta Power over Ethernet (PoE).

- PoE IN: fornisce alimentazione e connessione Ethernet all'alloggiamento. Connessione alla rete tramite switch di rete PoE.

- PoE OUT: fornisce alimentazione e connessione Ethernet alla telecamera. Connessione fra alloggiamento e telecamera.

AWISO

A causa delle normative locali o condizioni ambientali ed elettriche, è consigliabile utilizzare un cavo di rete schermato (STP). Tutti i cavi di rete del prodotto posizionati all'aperto o in ambienti elettrici in condizioni difficili sono destinati al loro uso specifico. Verificare che i dispositivi di rete siano installati secondo le istruzioni del produttore. Per ulteriori informazioni sui requisiti normativi, consultare *Regulatory Information on page 2*.

Morsettiera del riscaldatore (AXIS T93F20)

Morsettiera a 4 pin per alimentare il riscaldatore e il sensore temperatura integrati nella custodia.

Dati tecnici

Condizioni di funzionamento

Il prodotto Axis è destinato all'uso interno ed esterno.

Classificazione	
AXIS T93F05/AXIS T93F20	IEC 60721-4-3 classe 4M4 IEC 60529 IP66 NEMA 250 Tipo 4X

Temperatura		
AXIS T93F05 ¹ /AXIS T93F20		Da -40 °C a 60 °C (da -40 °F a 140 °F)
AXIS T93F05 ¹	Serie AXIS P13	Da 0 °C a 45 °C (da 32 °F a 113 °F)
	AXIS Q1602/Q1604/Q1614	Da 0 °C a 45 °C (da 32 °F a 113 °F)
	AXIS Q1615	Da 0 °C a 50 °C (da 32 °F a 122 °F)
AXIS T93F20	Serie AXIS P13	Da -40 °C a 45 °C (da -40 °F a 113 °F)
	AXIS Q1602/Q1604/Q1614	Da -40 °C a 45 °C (da -40 °F a 113 °F)
	AXIS Q1615	Da 0 °C a 50 °C (da 32 °F a 122 °F)

- AXIS T93F05 non dispongono di riscaldatore. Pertanto, la temperatura di funzionamento si basa su quella della telecamera nell'involucro.

AXIS T93F Series

Importante

(AXIS T93F20) Con una temperatura ambiente inferiore a 0 °C (32 °F), l'avvio potrebbe richiedere fino a 60 minuti. La temperatura è inversamente proporzionale alla durata dell'avvio (clima più freddo, avvio più lungo).

Umidità	
AXIS T93F05/AXIS T93F20	Da 15 a 100% RH (umidità relativa con condensa)

Condizioni di conservazione

Temperatura	
AXIS T93F05/AXIS T93F20	Da -40 °C a 75 °C (da -40 °F a 167 °F)

Consumo energetico

Prodotto	Alimentatore
AXIS T93F05	n/d
AXIS T93F20	Power over Ethernet IEEE 802.3af/802.3at Tipo 1 Classe 3, max 15,4 W

Area dei cavi

AWISO

- Utilizzare cavi di lunghezza adeguata all'area specificata.
- Selezionare i cavi nel rispetto delle normative locali.
- Verificare che i fori dei cavi siano correttamente sigillati.

Diametro	AWG
5–15 mm (0,197–0,591 pollici)	Circa 4–6/0

Per creare ulteriori fori per i cavi, aprire i prefiori collocati sotto il supporto. Consultare *Panoramica dell'hardware alla pagina 58*.

AWISO

Usare guarnizioni per cavi o pressacavi corrispondenti al foro e all'area dei cavi.

Per informazioni sugli accessori disponibili, come ad esempio guarnizioni per cavi e pressacavi adatti per altre aree dei cavi, visitare il sito Web www.axis.com.

Installazione dell'Hardware

AVVISO

- A causa delle normative locali o condizioni ambientali ed elettriche, è consigliabile utilizzare un cavo di rete schermato (STP). Tutti i cavi di rete del prodotto posizionati all'aperto o in ambienti elettrici in condizioni difficili sono destinati al loro uso specifico. Verificare che i dispositivi di rete siano installati secondo le istruzioni del produttore.
 - (AXIS T93F05) Per maggiori informazioni sui requisiti normativi, consultare la guida all'installazione della telecamera.
 - (AXIS T93F20) Per maggiori informazioni sui requisiti normativi, consultare *Regulatory Information on page 2*.
- Non graffiare, danneggiare o lasciare impronte digitali sulla finestra per preservare la qualità dell'immagine. Se possibile, lasciare la protezione di plastica sul coperchio della finestra dell'alloggiamento fino al completamento dell'installazione.

È possibile installare il prodotto Axis instradando i cavi attraverso o lungo la parete.

Leggere tutte le istruzioni prima di installare il prodotto:

1. Installazione del supporto per il montaggio a parete. Consultare *pagina 63*. Per istruzioni dettagliate, consultare la guida all'installazione del supporto di montaggio a parete presente nella confezione o visitare l'indirizzo www.axis.com
2. Montare l'alloggiamento al supporto a parete. Consultare *pagina 64*.
3. Installare la telecamera nell'alloggiamento. Consultare *pagina 66*.

Installazione del supporto per il montaggio a parete

ATTENZIONE

Verificare che le viti e i tasselli siano adatti al materiale della parete (es. legno, metallo, cartongesso, pietra) e che il materiale sia in grado di sostenere telecamera, alloggiamento e supporto per il montaggio a parete.

1. Preparare la parete per l'installazione del supporto. Utilizzare il supporto per il montaggio a parete come profilo e contrassegnare i punti da trapanare.
2. Far passare il cavo di rete attraverso la staffa a parete. Lasciare circa 30 cm (11,8 pollici) di cavo per il collegamento alla telecamera.
3. In caso di connessione di un dispositivo (es. di I/O, audio o alimentazione esterna) alla telecamera, ripetere il passaggio precedente (se consentito per il dispositivo in questione).
4. Tenere il supporto di montaggio appoggiato al muro e serrare le viti.

Nota

- Per istruzioni dettagliate, consultare la guida all'installazione del supporto di montaggio a parete presente nella confezione e disponibile all'indirizzo www.axis.com
- Per ulteriori specifiche tecniche, consultare la guida per l'utente della telecamera sul sito www.axis.com

Montare l'alloggiamento al supporto a parete

AVVISO

- Utilizzare cavi di lunghezza adeguata all'area cavi specificata, vedere *pagina 62*. L'utilizzo di una guarnizione per cavi diversa da quella in dotazione può causare infiltrazioni d'acqua e danni al prodotto. Per informazioni sulle guarnizioni per cavi e i pressacavi adatti per altre aree dei cavi, visitare il sito Web www.axis.com.
 - Utilizzando più di un cavo, instradare ciascun cavo attraverso una guarnizione separata.
 - Aprire un foro solo nelle guarnizioni utilizzate e sostituirle in caso di danno. Una guarnizione per cavi aperta o danneggiata potrebbe causare infiltrazioni d'acqua nel prodotto e gravi danni.
1. Allentare le viti del coperchio inferiore e sollevare il coperchio superiore.
 2. Scegliere la guarnizione per cavi da usare e tirare la linguetta per aprire il foro per il cavo di rete.

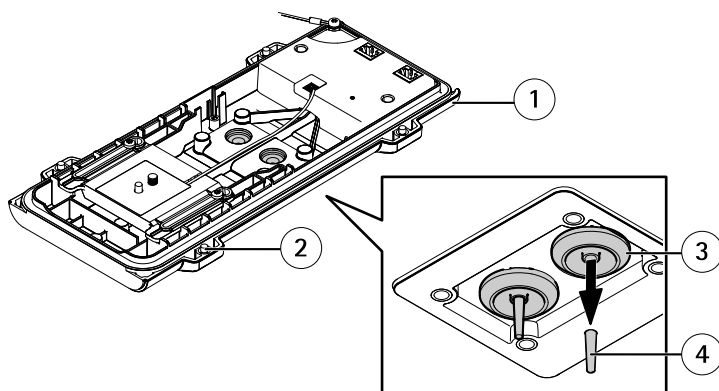


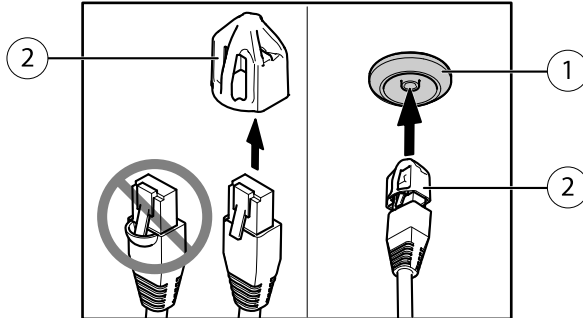
Immagine di esempio: AXIS T93F20

- 1 Coperchio inferiore
- 2 Vite del coperchio inferiore T20 (4x)
- 3 Guarnizione cavo M20 (2x)
- 4 Linguetta

- Inserire il cavo di rete attraverso la guarnizione per cavi.

AVVISO

Se il cavo di rete dispone di un connettore preinstallato, rimuovere la guarnizione per cavi e usare la protezione del connettore per evitare danni alla guarnizione. Non usare cavi di rete dotati di connettori di rete con tappi, poiché potrebbero danneggiare la guarnizione del cavo nonostante la protezione del connettore.

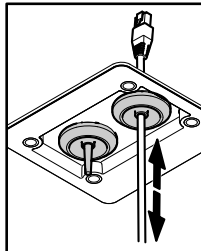


- Guarnizione cavo M20 (2x)
- Protezione del connettore

- Tirare delicatamente il cavo di rete in modo da adattare la guarnizione al cavo.

AVVISO

Se il cavo non viene tirato potrebbero verificarsi infiltrazioni d'acqua e danni al prodotto.



- Verificare il corretto montaggio della guarnizione del cavo.
- In caso di connessione di un dispositivo (es. di I/O, audio o alimentazione esterna) alla telecamera, ripetere i passaggi precedenti (se consentito per il dispositivo in questione).
- Inserire il coperchio superiore sul supporto a parete e serrare le viti (con una coppia di 2 Nm).

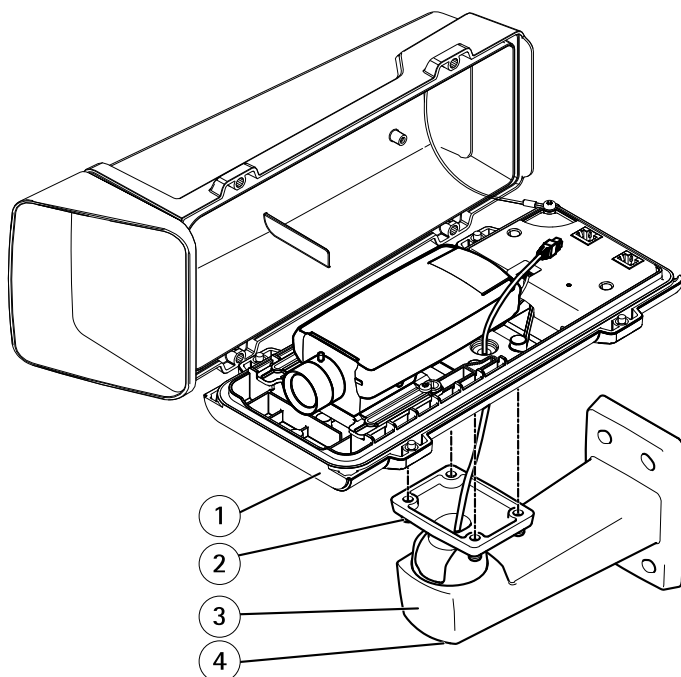
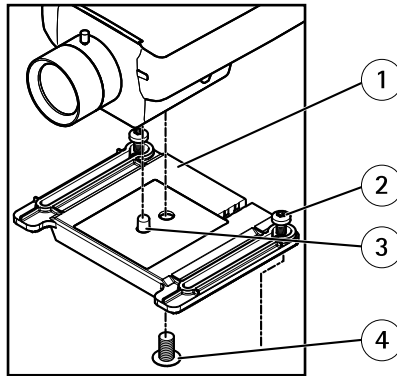


Immagine di esempio: Serie AXIS T93F20 e AXIS P13 Series

- 1 Coperchio inferiore
- 2 Vite T20 (4x)
- 3 Staffa a parete
- 4 Vite di regolazione della staffa T30

Installare la telecamera nell'alloggiamento

1. Allentare le viti del supporto, farlo scorrere e sollevarlo.
2. Collegare il supporto alla telecamera. Allineare il perno e la vite della telecamera con il foro del perno e il supporto delle viti sulla telecamera, quindi serrare la vite della telecamera (con una coppia di 1 Nm). Non serrare la vite in maniera eccessiva.
(AXIS T93F20) Per semplificare il collegamento del supporto alla telecamera, scollegare il riscaldatore dal connettore sul coperchio inferiore. Consultare *Panoramica dell'hardware*.



- 1 *Supporto*
- 2 *Vite del supporto T20 (2x)*
- 3 *Perno*
- 4 *Vite della telecamera T20*

3. In caso di connessione di un dispositivo (es. di input o esterno, audio o alimentazione esterna) alla telecamera, rispettare le istruzioni indicate nella guida all'installazione della telecamera.
4. Fissare il supporto al coperchio inferiore. Regolare con cura la posizione del supporto e serrare le viti (con una coppia di 0,5 Nm).

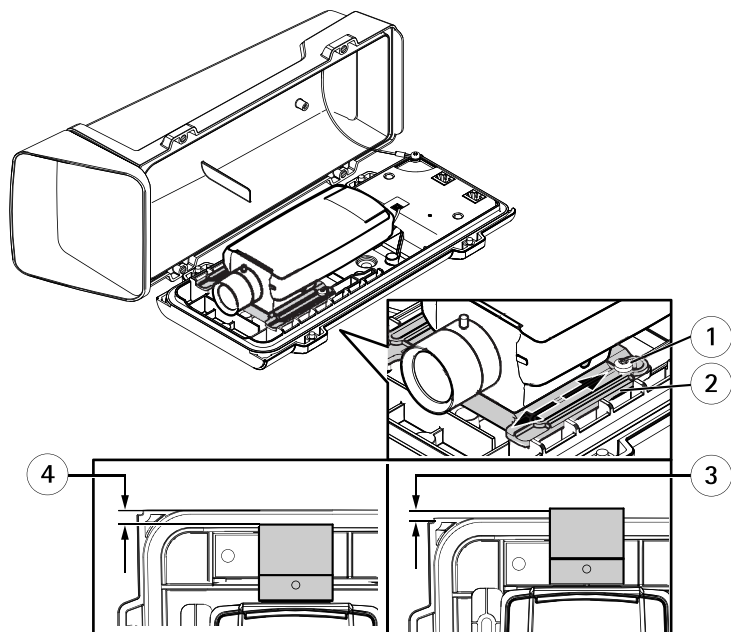


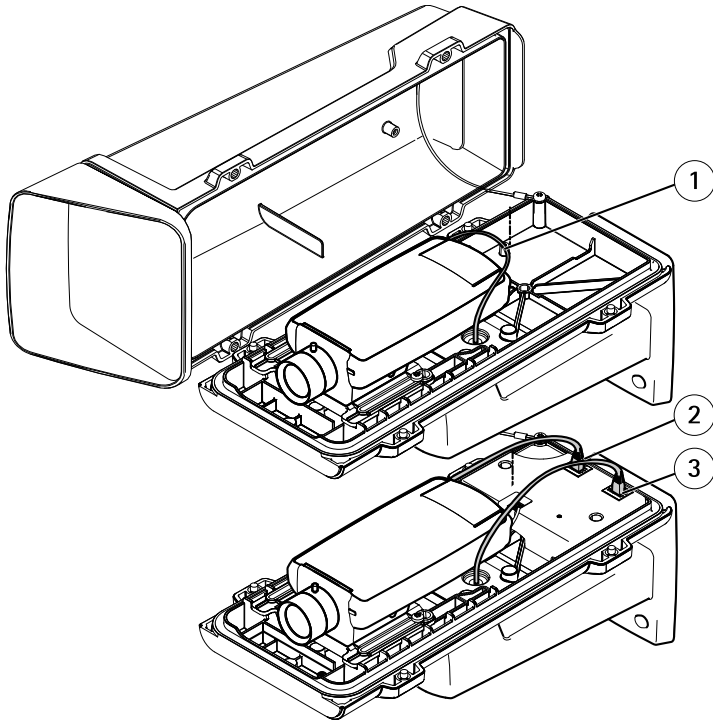
Immagine di esempio: Serie AXIS T93F20 e AXIS P13 series

- 1 Vite del supporto T20 (2x)
- 2 Supporto
- 3 Posizione A (sovrapposizione): +3,7 mm (+0,15 in)
- 4 Posizione di messa a fuoco B (divario): Da -6 mm a -4 mm (da -0,24 in a -0,16 pollici)

AWISO

- Posizione A: Per evitare riflessi nell'immagine, regolare la posizione del supporto in modo che il bordo dell'obiettivo della telecamera si sovrapponga di 3,7 mm (0,15 pollici) a quello del coperchio. Nota: questa posizione invalida la classificazione IK10.
 - Posizione B (30 W): Per soddisfare i requisiti della classificazione IK10, regolare la posizione del supporto con un divario fra l'obiettivo della telecamera e i bordi del coperchio inferiore compreso fra -6 mm e -4 mm (-0,24 in e -0,16 pollici).
5. (AXIS T93F20) Se scollegato, ricollegare il cavo del riscaldatore al connettore del coperchio inferiore.
 6. Se si utilizza una scheda SD per l'archiviazione locale, inserirla nell'apposito slot della telecamera.
 7. Collegare i cavi di rete.

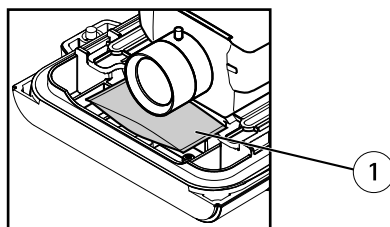
- (AXIS T93F05) Collegare la telecamera alla rete.
- (AXIS T93F20) Collegare l'alloggiamento alla rete (PoE IN) e la telecamera all'alloggiamento (PoE OUT).



Immagini di esempio: Serie AXIS T93F05 (sopra), AXIS T93F20 (sotto) e AXIS P13

- 1 Cavo di rete
 - 2 Connettore di rete (PoE OUT)
 - 3 Connettore di rete (PoE IN)
8. (AXIS T93F20) Verificare che il LED di stato dell'alloggiamento indichi la corretta condizione di funzionamento. Consultare *Indicatori LED (AXIS T93F20) alla pagina 60*.
 9. Verificare che i LED della telecamera indichino le corrette condizioni. Consultare la guida all'installazione della telecamera.
 10. Allentare la vite di regolazione della staffa per orientare la telecamera verso il punto desiderato. Per istruzioni utili a visualizzare il flusso video, consultare la guida all'installazione o visitare il sito www.axis.com/techsup

11. Rimuovere la busta di plastica del sacchetto dell'essiccante e collocarlo sotto l'obiettivo.



1 *Sacchetto dell'essiccante*

12. Chiudere l'alloggiamento. Girare le viti del coperchio inferiore in maniera alternata fino a quando non saranno tutte serrate (con una coppia di 1,5 Nm). In questo modo è possibile comprimere la guarnizione del coperchio inferiore in modo uniforme.

AWISO

Verificare che i cavi non restino incastrati durante la chiusura dell'alloggiamento.

13. Rimuovere la protezione di plastica dalla finestra dell'alloggiamento.
14. Se si utilizza un parasole (venduto separatamente), posizionarlo sul coperchio superiore, regolarne la posizione e serrare le viti.

Ulteriori Informazioni

Visitare il Centro di apprendimento Axis alla pagina www.axis.com/academy per servizi di formazione utili, webinar, tutorial e guide.

Informazioni sulla garanzia

Per informazioni sulla garanzia del prodotto Axis e informazioni ad esso relative, consultare la pagina www.axis.com/warranty/

Información de seguridad

Lea esta Guía de instalación con atención antes de instalar el producto. Guarde la Guía de instalación para poder consultarla en otro momento.

Niveles de peligro

▲PELIGRO

Indica una situación peligrosa que, si no se evita, provocará lesiones graves o la muerte.

▲ADVERTENCIA

Indica una situación peligrosa que, si no se evita, puede provocar lesiones graves o la muerte.

▲ATENCIÓN

Indica una situación peligrosa que, si no se evita, puede provocar lesiones moderadas o leves.

AVISO

Indica una situación peligrosa que, si no se evita, puede provocar daños materiales.

Otros niveles de mensaje

Importante

Indica información importante que es fundamental para que el producto funcione correctamente.

Nota

Indica información útil que ayuda a aprovechar el producto al máximo.

Instrucciones de seguridad

AVISO

- El producto de Axis debe utilizarse de acuerdo con las leyes y normas locales.
- Almacene el producto de Axis en un entorno seco y ventilado.
- Evite la exposición del producto de Axis a choques o a una fuerte presión.
- No instale el producto en soportes, superficies o paredes inestables.
- Utilice solo las herramientas correspondientes cuando instale el producto de Axis. La aplicación de una fuerza excesiva puede provocar daños en el producto.
- No utilice limpiadores en aerosol, agentes cáusticos ni productos químicos. Limpie con un trapo limpio humedecido con agua pura.
- Utilice solo accesorios que cumplan con las especificaciones técnicas del producto. Estos accesorios los puede proporcionar Axis o un tercero.
- Utilice solo piezas de repuesto proporcionadas o recomendadas por Axis.
- No intente reparar el producto usted mismo. Póngase en contacto con el servicio de asistencia técnica de Axis o con su distribuidor de Axis para tratar asuntos de reparación.

Transporte

AVISO

- Cuando transporte el producto de Axis, utilice el embalaje original o un equivalente para evitar daños en el producto.

Guía de instalación

Esta Guía de instalación ofrece instrucciones para la instalación de la carcasa para exteriores AXIS T93F20 y la carcasa protectora AXIS T93F05.

Para instalar la cámara en la red, consulte la Guía de instalación proporcionada con la cámara. Para conocer más detalles acerca de la cámara, consulte el Manual del usuario disponible en www.axis.com.

Pasos de la instalación

1. Asegúrese de que dispone del contenido del paquete, las herramientas y los demás materiales necesarios para la instalación. *Vea página 73.*
2. Estudie la información general del hardware. *Vea página 74.*
3. Estudie las especificaciones. *Vea página 77.*
4. Instale el hardware. *Vea página 79.*

Contenido del paquete

- Carcasa para exteriores AXIS T93F20 y carcasa protectora AXIS T93F05
- Montaje en pared AXIS T94Q01A con canal para cable interno
- Protector del conector A de AXIS
- Broca destornilladorT30
- Bolsa desecante
- (AXIS T93F20) Cable de red, para conectar la cámara a la carcasa
- Materiales impresos
 - Guía de instalación (este documento)
 - Guía de instalación para el montaje en pared AXIS T94Q01A

Herramientas recomendadas

- Taladro, para instalar el montaje en pared
- Destornillador Torx T20

Accesorios opcionales

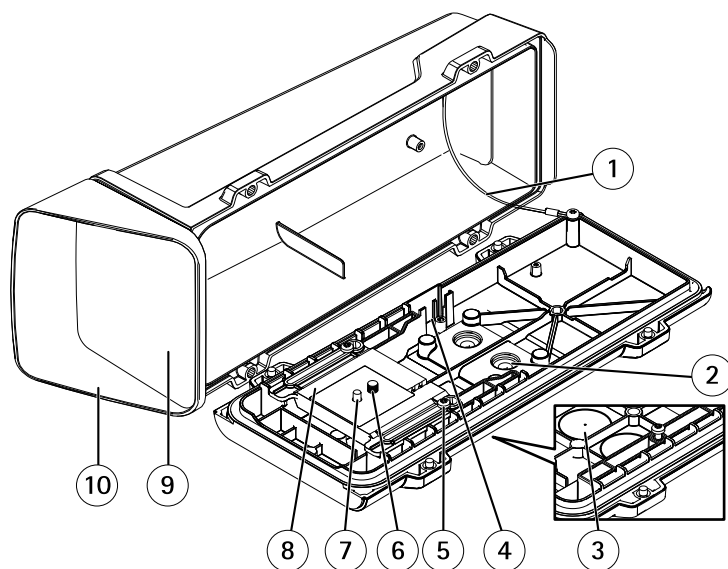
- Parasol A de AXIS
- Escuadra para formato Corridor Format A/B de AXIS
- Interruptor de puerta A de AXIS

- Caja posterior de conexiones AXIS T94R01P
- Iluminadores
- Montajes de cámara
- Juntas de cable y prensaestopas

Para obtener información sobre los accesorios disponibles, visite www.axis.com.

Información general del hardware

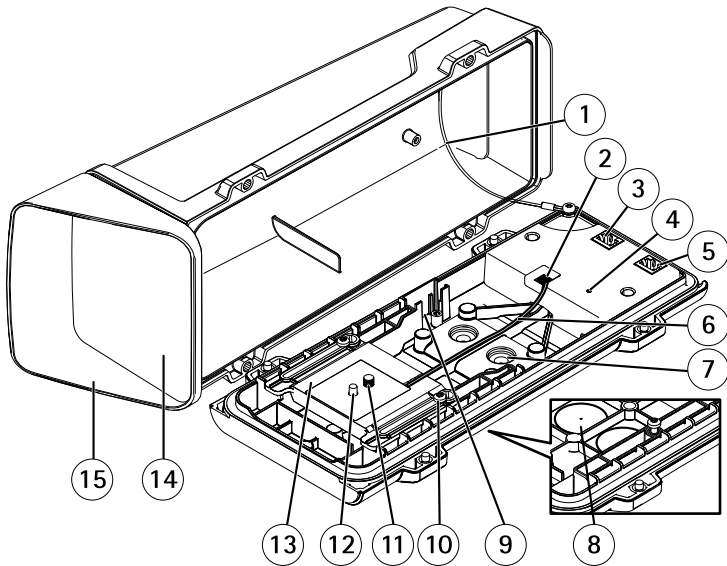
Carcasa



Carcasa de protección AXIS T93F05

- 1 Cable de seguridad
- 2 Junta de cable M20 (2x)
- 3 Orificio preperforado (2x)
- 4 Ranura para interruptor de alarma contra intrusiones; compatible con el interruptor de puerta A de AXIS (se vende por separado)
- 5 Tornillo del soporte T20 (2x)
- 6 Tornillo de la cámara T20
- 7 Pin
- 8 Soporte
- 9 Ventana

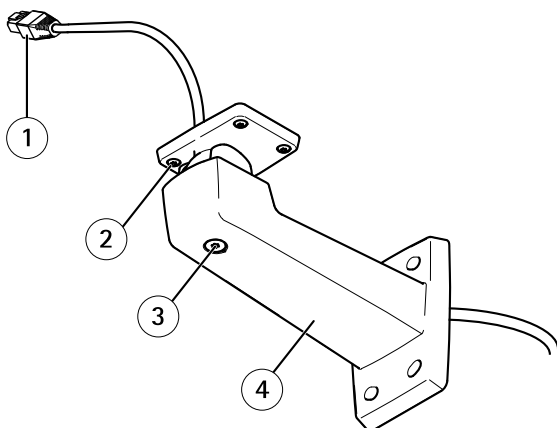
10 Cubierta superior



Carcasa para exteriores AXIS T93F20

- 1 Cable de seguridad
- 2 Conector del calentador
- 3 Conector de red (PoE OUT)
- 4 Indicador LED de estado
- 5 Conector de red (PoE IN)
- 6 Cable del calentador
- 7 Junta de cable M20 (2x)
- 8 Orificio preperforado (2x)
- 9 Ranura para interruptor de alarma contra intrusiones; compatible con el interruptor de puerta A de AXIS (se vende por separado)
- 10 Tornillo del soporte T20 (2x)
- 11 Tornillo de la cámara T20
- 12 Pin
- 13 Soporte
- 14 Ventana
- 15 Cubierta superior

Montaje en pared



- 1 Cable de red (guiado a través de la escuadra de pared)
- 2 Tornillo T20 (4x)
- 3 Tornillo de ajuste de escuadra T30
- 4 Escuadra de pared

Indicadores LED (AXIS T93F20)

LED	Color	Indicación
Estado	Verde	Funcionamiento normal
	Verde, un parpadeo	Error del calentador
	Verde, triple parpadeo	Error general

Conectores y botones

Para conocer las especificaciones y las condiciones de funcionamiento, vea *página 77*.

Conector de red (AXIS T93F20)

Conector Ethernet RJ45. Admite alimentación a través de Ethernet (PoE).

- PoE IN: Suministra alimentación y Ethernet a la carcasa. Conéctese a la red a través de un conmutador de red habilitado para PoE.

- PoE OUT: Suministra alimentación y Ethernet a la cámara. Realiza la conexión entre la carcasa y la cámara.

AVISO

Debido a la normativa local o a las condiciones ambientales y eléctricas en las que se vaya a utilizar el producto, puede que sea adecuado u obligatorio el uso de un cable de red blindado (STP). Todos los cables que conectan el producto a la red y que se utilicen en exteriores o en entornos eléctricos exigentes deberán estar blindados y diseñados para su uso específico. Asegúrese de que los dispositivos de red estén instalados de conformidad con las instrucciones del fabricante. Para obtener información sobre los requisitos normativos, vea *Regulatory Information on page 2*.

Conector del calentador (AXIS T93F20)

Bloque de terminales de 4 pines utilizado para alimentar el calentador y el sensor de temperatura integrados en la carcasa.

Especificaciones

Condiciones de funcionamiento

El producto de Axis se ha creado para su uso en interiores y exteriores.

Clasificación	
AXIS T93F05/AXIS T93F20	IEC 60721-4-3 Clase 4M4 IEC 60529 IP66 NEMA 250 Tipo 4X

Temperatura		
AXIS T93F05 ¹ /AXIS T93F20		De -40 °C a 60 °C
AXIS T93F05 ¹	Serie AXIS P13	De 0 °C a 45 °C
	AXIS Q1602/Q1604/Q1614	De 0 °C a 45 °C
	AXIS Q1615	De 0 °C a 50 °C
AXIS T93F20	Serie AXIS P13	De -40 °C a 45 °C
	AXIS Q1602/Q1604/Q1614	De -40 °C a 45 °C
	AXIS Q1615	De 0 °C a 50 °C

- La AXIS T93F05 no incluye calentador. Por lo tanto, la temperatura de funcionamiento está determinada por la temperatura de funcionamiento de la cámara empotrada.

AXIS T93F Series

Importante

(AXIS T93F20) Cuando la temperatura ambiente es inferior a 0 °C, la cámara podría tardar 60 minutos en arrancar. Cuanto más frío haga, más tardará en arrancar.

Humedad	
AXIS T93F05/AXIS T93F20	15–100 % de humedad relativa (con condensación)

Condiciones de almacenamiento

Temperatura	
AXIS T93F05/AXIS T93F20	De -40 °C a 75 °C

Consumo

Producto	Fuente de alimentación
AXIS T93F05	n/a
AXIS T93F20	Alimentación a través de Ethernet IEEE 802.3af/802.3at Tipo 1 Clase 3, máx. 15,4 W

Área de cableado

AVISO

- Utilice cables que puedan permanecer dentro del área de cableado especificada.
- Elija cables que cumplan la normativa local aplicable.
- Asegúrese de que todos los orificios para cables estén debidamente sellados.

Diámetro	AWG
5–15 mm	Aproximadamente 4–6/0

En caso de necesitar orificios para cables adicionales, abra los orificios preperforados situados debajo del soporte. Vea *Información general del hardware en la página 74*.

AVISO

Utilice juntas de cable o prensaestopas que se ajusten tanto al orificio para cable como al área de cableado.

Para obtener información acerca de los accesorios, como juntas de cable y prensaestopas permitidos para otras áreas de cableado, visite www.axis.com.

Instalación del hardware

AVISO

- Debido a la normativa local o a las condiciones ambientales y eléctricas en las que se vaya a utilizar el producto, puede que sea adecuado u obligatorio el uso de un cable de red blindado (STP). Todos los cables que conectan el producto a la red y que se utilicen en exteriores o en entornos eléctricos exigentes deberán estar blindados y diseñados para su uso específico. Asegúrese de que los dispositivos de red estén instalados de conformidad con las instrucciones del fabricante.

(AXIS T93F05) Para obtener información sobre los requisitos normativos, consulte la Guía de instalación de la cámara.

(AXIS T93F20) Para obtener información sobre los requisitos normativos, vea *Regulatory Information on page 2*.

- Preste atención para no arañar, dañar ni dejar las huellas en la ventana de la carcasa, puesto que esto puede provocar una disminución de la calidad de imagen. Si es posible, mantenga el plástico protector en la ventana de la carcasa hasta que se complete la instalación.

El producto de Axis puede instalarse guiando los cables a través de la pared o sobre esta.

Lea todas las instrucciones antes de instalar el producto:

1. Instale el montaje en pared. Vea *página 79*. Para obtener instrucciones detalladas, consulte la Guía de instalación del montaje en pared, incluida en el paquete o disponible en www.axis.com.
2. Fije la carcasa al montaje en pared. Vea *página 80*.
3. Instale la cámara en la carcasa. Vea *página 83*.

Instalación del montaje en pared

⚠ATENCIÓN

Asegúrese de que los tornillos y tapones sean los adecuados para el material (p. ej. madera, metal, placas de yeso, piedra) y que el material sea lo suficientemente resistente para soportar el peso combinado de la cámara, la carcasa y el montaje en pared.

1. Prepare la pared para instalar el montaje en pared. Utilice el montaje en pared como una plantilla y marque la ubicación de los orificios antes de perforarlos.
2. Guíe el cable de red a través de la escuadra de pared. Deje unos 30 cm de cable aproximadamente para conectarlo a la cámara.

3. Si se conecta un dispositivo auxiliar a la cámara, por ejemplo un dispositivo de alimentación externo, un dispositivo de E/S o uno de audio, repita el paso anterior aplicado a cada dispositivo en cuestión.
4. Coloque el montaje en pared contra la pared y apriete los tornillos.

Nota

- Para obtener instrucciones detalladas, consulte la Guía de instalación del montaje en pared, incluida en el paquete y disponible en www.axis.com.
- Si desea conocer más especificaciones técnicas, consulte el Manual del usuario en www.axis.com

Fijación de la carcasa al montaje en pared

AVISO

- Utilice los cables que permanecen dentro del área de cableado especificada, vea *página 78*. Si utiliza otra junta de cable distinta de la proporcionada, el agua podría filtrarse y dañar el producto. Para obtener más información acerca de las juntas de cable y de los prensaestopas permitidos para otras áreas de cableado, visite www.axis.com.
 - Si se utiliza más de un cable, deberá pasarse cada cable a través de una junta distinta.
 - Solo abra un orificio en las juntas de cable que se vayan a utilizar y si alguna junta está desgastada, reemplácela con una nueva. Si deja la junta de cable abierta o utiliza una desgastada, el agua podría filtrarse y dañar el producto.
1. Afloje los tornillos de la cubierta inferior y levante la cubierta superior.
 2. Seleccione la junta de cable que vaya a utilizar y tire de la lengüeta para abrir un orificio para el cable de red.

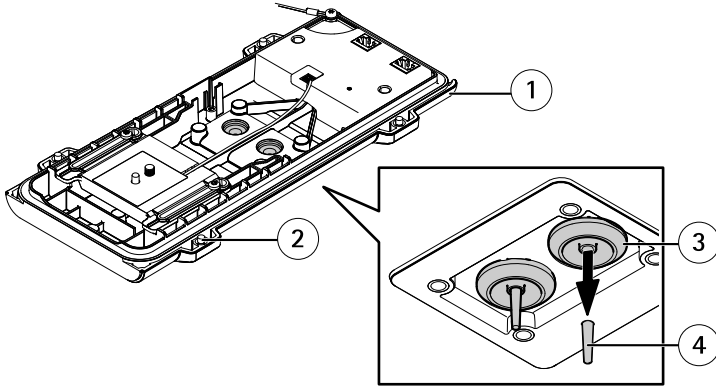


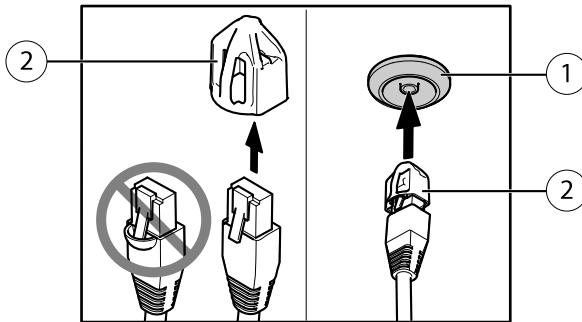
Imagen de ejemplo: AXIS T93F20

- 1 Cubierta inferior
- 2 Tornillo T20 de cubierta inferior (4x)
- 3 Junta de cable M20 (2x)
- 4 Lengüeta

3. Empuje el cable de red a través de la junta de cable.

AVISO

Si el cable de red incluye un conector de red premontado, retire la junta de cable y utilice el protector del conector para evitar que la junta de cable se rompa. Evite utilizar cables de red con conectores de red recubiertos ya que podrían rasgar la junta de cable a pesar de utilizar el protector.



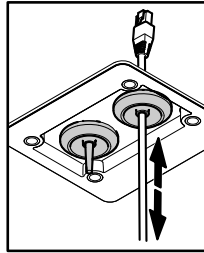
- 1 Junta de cable M20 (2x)
- 2 Protector del conector

AXIS T93F Series

4. Tire del cable de red hacia atrás suavemente de manera que la junta de cable se ajuste en el cable.

AVISO

Si no se tira del cable hacia atrás, podría filtrarse agua y dañar el producto.



5. Asegúrese de que la junta de cable encaje correctamente.
6. Si se conecta un dispositivo auxiliar a la cámara, por ejemplo un dispositivo de alimentación externo, un dispositivo de E/S o uno de audio, repita los pasos anteriores aplicados a cada dispositivo en cuestión.
7. Coloque la cubierta inferior sobre el montaje en pared y apriete los tornillos (par de torsión de 2 Nm).

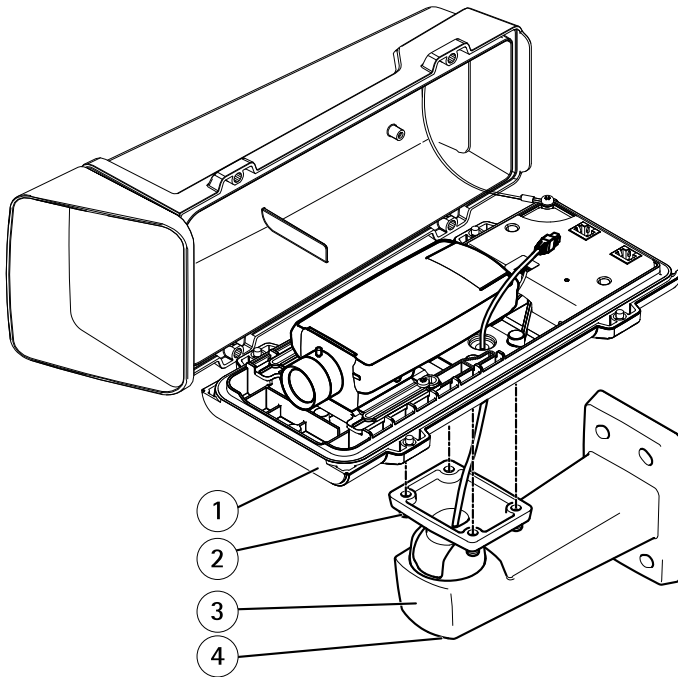
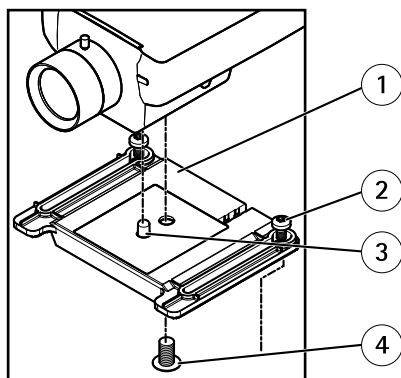


Imagen de ejemplo: Series AXIS T93F20 y AXIS P13

- 1 Cubierta inferior
- 2 Tornillo T20 (4x)
- 3 Escuadra de pared
- 4 Tornillo de ajuste de escuadra T30

Instalación de la cámara en la carcasa

1. Afloje los tornillos del soporte y, a continuación, deslice y levante el soporte.
2. Fije el soporte a la cámara. Alinee el pin y el tornillo de la cámara con el orificio y el receptáculo de tornillo que se encuentran en la cámara y apriete el tornillo de la cámara (par de torsión de 1 Nm). Asegúrese de no apretar el tornillo en exceso.
(AXIS T93F20) Para que resulte más fácil acoplar el soporte a la cámara, puede desconectar temporalmente el calentador del conector correspondiente situado en la cubierta inferior. Vea *Información general del hardware*.



- 1 Soporte
- 2 Tornillo del soporte T20 (2x)
- 3 Pin
- 4 Tornillo de la cámara T20

3. En caso de conexión a la cámara de dispositivos externos/de entrada, dispositivos de audio o una fuente de alimentación externa, conéctelos de acuerdo con las instrucciones descritas en la Guía de instalación de la cámara.
4. Fije el soporte a la cubierta inferior. Ajuste con cuidado la posición del soporte y apriete los tornillos del soporte (par de torsión de 0,5 Nm).

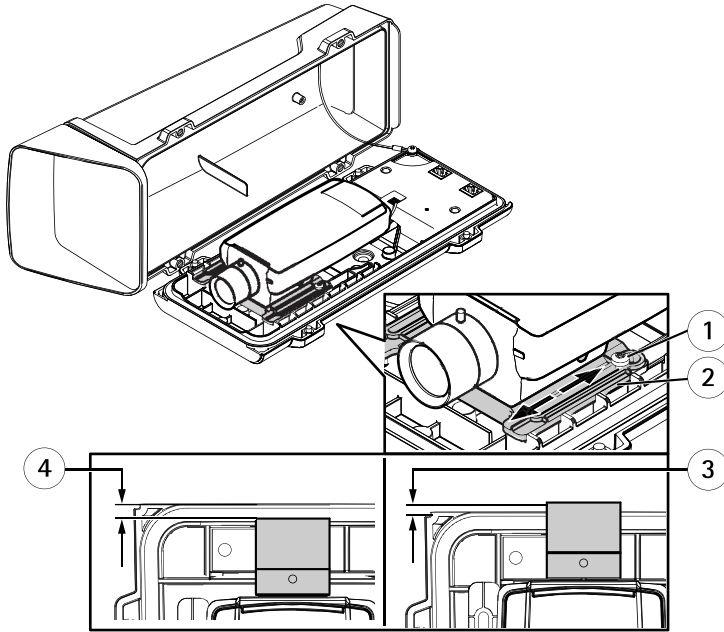


Imagen de ejemplo: Series AXIS T93F20 y AXIS P13

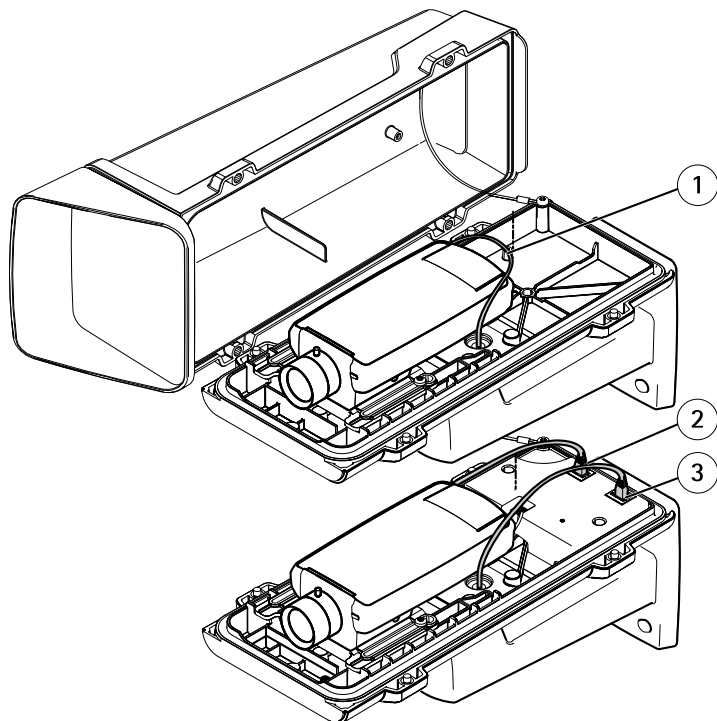
- 1 Tornillo del soporte T20 (2x)
- 2 Soporte
- 3 Posición A (superposición): +3,7 mm
- 4 Posición B (hueco): de -6 mm a -4 mm

AVISO

- Posición A: Para evitar reflejos en la imagen, ajuste la posición del soporte de modo que el borde del objetivo de la cámara esté superpuesto al borde de la cubierta inferior en una medida de +3,7 mm. Tenga en cuenta que esta posición anula la clasificación IK10.
 - Posición B: A fin de cumplir los requisitos de la clasificación IK10, ajuste la posición del soporte de modo que el hueco que quede entre el objetivo de la cámara y el borde de la cubierta inferior sea de entre -6 mm y -4 mm.
5. (AXIS T93F20) Si se ha desconectado el calentador, vuelva a conectar el cable de este al conector del calentador situado en la cubierta inferior.
 6. En caso de utilizar una tarjeta SD como unidad de almacenamiento local, inserte la tarjeta en la ranura para tarjetas SD de la cámara.
 7. Conecte los cables de red.

AXIS T93F Series

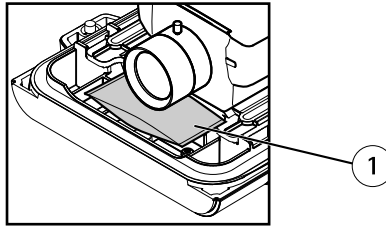
- (AXIS T93F05) Conecte la cámara a la red.
- (AXIS T93F20) Conecte la carcasa a la red (PoE IN) y la cámara a la carcasa (PoE OUT).



Imágenes de ejemplo: Series AXIS T93F05 (superior), AXIS T93F20 (inferior) y AXIS P13

- 1 Cable de red
 - 2 Conector de red (PoE OUT)
 - 3 Conector de red (PoE IN)
8. (AXIS T93F20) Asegúrese de que los indicadores LED de estado de la carcasa indican la condición correcta. Vea *Indicadores LED (AXIS T93F20)* en la página 76.
 9. Asegúrese de que los indicadores LED de la cámara indican las condiciones correctas. Vea la Guía de instalación de la cámara.
 10. Afloje el tornillo de ajuste de la escuadra para orientar la cámara hacia el punto de interés. Para obtener información sobre cómo ver la transmisión de video, consulte la Guía de instalación de la cámara o visite www.axis.com/techsup.

11. Retire el envoltorio de plástico de la bolsa desecante y colóquela debajo del objetivo.



1 Bolsa desecante

12. Cierre la carcasa. Asegúrese de apretar los tornillos de la cubierta inferior poco a poco, de forma alterna, hasta que estén bien apretados (par de torsión de 1,5 Nm). De este modo contribuirá a garantizar que la junta de la cubierta inferior se ha comprimido uniformemente.

AVISO

Asegúrese de no pillar ningún cable al cerrar la carcasa.

13. Retire el plástico protector de la ventana de la carcasa.
14. En caso de utilizar un parasol (se vende por separado), colóquelo sobre la cubierta superior, ajuste su posición y apriete los tornillos.

Más información

Visite el centro de aprendizaje de www.axis.com/academy para consultar guías, tutoriales, seminarios web y cursos que pueden resultarle útiles.

Información de la garantía

Para obtener más información acerca de la garantía del producto Axis e información relacionada, visite www.axis.com/warranty/

安全情報

本製品を設置する前に、このインストールガイドをよくお読みください。インストールガイドは、後で参照できるように保管しておいてください。

危険レベル

▲危険

回避しない場合、死亡または重傷につながる危険な状態を示します。

▲警告

回避しない場合、死亡または重傷につながるおそれのある危険な状態を示します。

▲注意

回避しない場合、軽傷または中程度の怪我につながるおそれのある危険な状態を示します。

注記

回避しない場合、器物の破損につながるおそれのある状態を示します。

その他のメッセージレベル

重要

製品を正しく機能させるために不可欠な重要情報を示します。

注意

製品を最大限に活用するために役立つ有用な情報を示します。

安全手順

注記

- 本製品は、お使いになる地域の法律や規制に準拠して使用してください。
- 本製品は乾燥した換気のよい環境に保管してください。
- 本製品に衝撃または強い圧力を加えないでください。
- 本製品を不安定なブラケット、表面、または壁に設置しないでください。
- 本製品を設置する際には、適切な工具のみを使用してください。過剰な力がかかると、製品が損傷することがあります。
- 化学薬品、腐食剤、噴霧式クリーナーは使用しないでください。清掃には、きれいな水に浸した清潔な布を使用してください。
- 製品の技術仕様に準拠したアクセサリーのみを使用してください。これらのアクセサリーは、Axisまたはサードパーティから入手できます。
- Axisが提供または推奨する交換部品のみを使用してください。
- 製品を自分で修理しないでください。修理については、Axisサポートまたは販売代理店にお問い合わせください。

輸送

注記

- 本製品を運搬する際は、製品が損傷しないよう、元の梱包か同等の梱包を使用してください。

インストールガイド

このインストールガイドでは、AXIS T93F20アウトドアハウジングおよびAXIS T93F05プロテクティブハウジングを設置する手順について説明します。

カメラをネットワークにインストールする手順については、カメラに付属するインストールガイドを参照してください。カメラのその他の情報については、Axisのホームページ (www.axis.com) でユーザーズマニュアルを参照してください。

設置手順

1. パッケージの内容、ツールなど、設置に必要な物がそろっているかを確認します。ページ91を参照してください。
2. 「ハードウェアの概要」をよく読みます。ページ92を参照してください。
3. 「仕様」をよく読みます。ページ95を参照してください。
4. ハードウェアの設置。ページ97を参照してください。

パッケージの内容

- AXIS T93F20アウトドアハウジング/AXIS T93F05プロテクティブハウジング
- AXIS T94Q01A壁面取付ブラケット (内部ケーブルチャンネル付き)
- AXISコネクターガードA
- スクリュービットT30
- 乾燥剤
- (AXIS T93F20) ネットワークケーブル – カメラとハウジングの接続用
- 印刷物
 - インストールガイド (本書)
 - AXIS T94Q01A壁面取付ブラケットのインストールガイド

推奨ツール

- ドリル – 壁面取付ブラケットの取り付けに使用
- トルクスT20ドライバー

オプションアクセサリ

- AXISサンシールドA
- AXIS Corridor Format ブラケットA/B
- AXISドアスイッチA

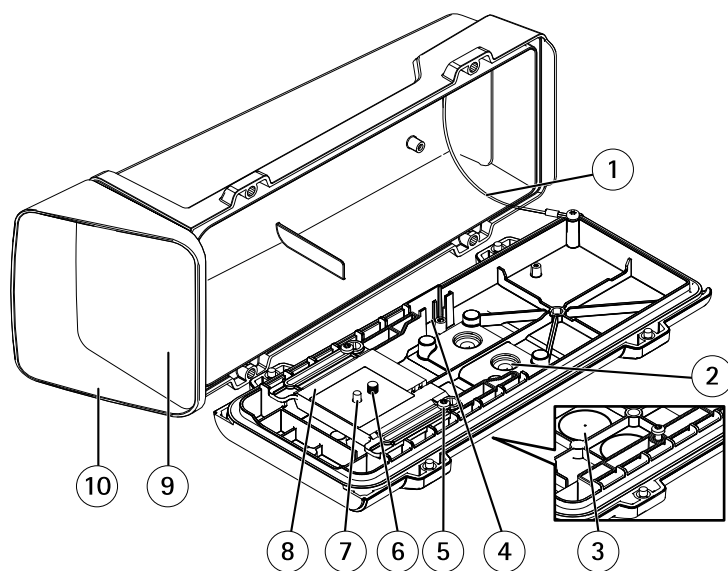
AXIS T93F Series

- AXIS T94R01P コンジットバックボックス
- イルミネーター
- カメラ取付金具
- ケーブルガスカートとケーブルグランド

利用可能なアクセサリーについては、www.axis.comを参照してください。

ハードウェアの概要

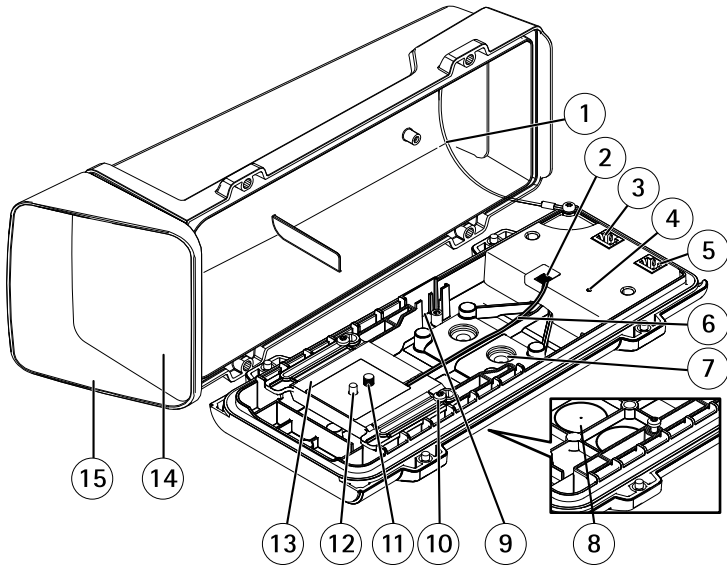
ハウジング



AXIS T93F05 プロテクティブハウジング

- 1 安全ワイヤー
- 2 ケーブルガスカート M20 (×2)
- 3 ドリルアウト (×2)
- 4 侵入アラームスイッチ用スロット - AXIS ドアスイッチA (別売) をサポート
- 5 ホルダーネジ T20 (×2)
- 6 カメラネジ T20
- 7 ピン
- 8 ホルダー

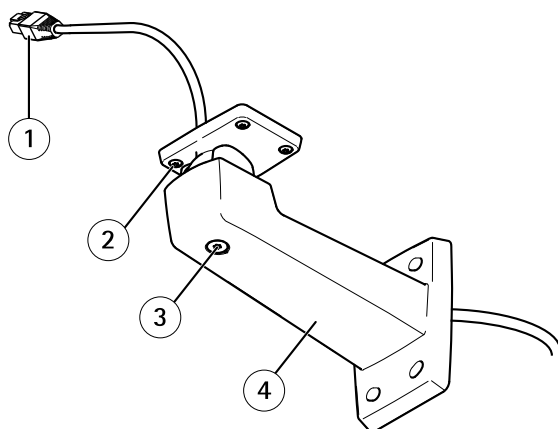
- 9 ウィンドウ
- 10 上蓋



AXIS T93F20アウトドアハウジング

- 1 安全ワイヤー
- 2 ヒーターコネクタ
- 3 ネットワークコネクタ (PoE出力)
- 4 ステータスLEDインジケータ
- 5 ネットワークコネクタ (PoE入力)
- 6 ヒーターケーブル
- 7 ケーブルガスカート M20 (×2)
- 8 ドリルアウト (×2)
- 9 侵入アラームスイッチ用スロット - AXIS ドアスイッチA (別売) をサポート
- 10 ホルダーネジ T20 (×2)
- 11 カメラネジ T20
- 12 ピン
- 13 ホルダー
- 14 ウィンドウ
- 15 上蓋

壁面取付ブラケット



- 1 ネットワークケーブル (壁面ブラケットに通す)
- 2 ネジ T20 (×4)
- 3 ブラケット調節ネジ T30
- 4 壁面ブラケット

LEDインジケータ (AXIS T93F20)

LED	色	説明
ステータス	緑	正常動作
	緑、1回点滅	ヒーターのエラー
	緑、3回点滅	一般エラー

コネクタとボタン

仕様と動作条件については、ページ95を参照してください。

ネットワークコネクタ (AXIS T93F20)

RJ45イーサネットコネクタ。PoE (Power over Ethernet) をサポート。

- PoE入力-ハウジングに電力とイーサネット接続を提供。PoE対応のネットワークスイッチを介してネットワークに接続します。
- PoE出力-カメラに電力とイーサネット接続を提供。ハウジングとカメラを接続します。

注記

本製品を使用する場所の地域条例、環境、電気的条件下によっては、シールドネットワークケーブル (STP) の使用が推奨または必須になります。本製品をネットワークに接続して屋外または電氣的に厳しい環境に配線する場合は、用途に合ったネットワークケーブルを使用してください。ネットワーク装置がメーカーの指示どおりに設置されていることを確認してください。法的要件については、*Regulatory Information on page 2*を参照してください。

ヒーターコネクタ (AXIS T93F20)

ホルダーの内蔵ヒーターと温度センサーに電力を供給する4ピンターミナルブロック

仕様

動作条件

本製品は屋内および屋外対応モデルです。

等級	
AXIS T93F05/AXIS T93F20	IEC 60721-4-3 Class 4M4 IEC 60529 IP66 NEMA 250 Type 4X

温度		
AXIS T93F05 ¹ /AXIS T93F20		-40～60 °C
AXIS T93F05 ¹	AXIS P13シリーズ	0～45 °C
	AXIS Q1602/Q1604/Q1614	0～45 °C
	AXIS Q1615	0～50 °C
AXIS T93F20	AXIS P13シリーズ	-40～45 °C
	AXIS Q1602/Q1604/Q1614	-40～45 °C
	AXIS Q1615	0～50 °C

1. AXIS T93F05はヒーターを搭載していないため、収納するカメラの動作温度範囲がT93F05の動作温度範囲になります。

AXIS T93F Series

重要

(AXIS T93F20) 気温が0℃以下の場合、起動まで最大60分を要する場合があります。気温が低いほど、起動に時間がかかります。

湿度	
AXIS T93F05/AXIS T93F20	15～100% RH (結露可)

保管条件

温度	
AXIS T93F05/AXIS T93F20	-40～75℃

消費電力

製品	電源
AXIS T93F05	非搭載
AXIS T93F20	Power over Ethernet IEEE 802.3af/802.3at Type 1 Class 3、最大15.4 W

ケーブルエリア

注記

- 指定のケーブルエリアに収まるケーブルを使用してください。
- 地域の規制に適合したケーブルを選択してください。
- すべてのケーブル孔が適切に密封されていることを確認してください。

直径	AWG(米国ワイヤゲージ規格)
5～15 mm	約4～6/0

ケーブル孔を追加する場合は、ホルダーの下にあるドリルアウトを開けてください。ハードウェアの概要 ページの 92を参照してください。

注記

ケーブル孔とケーブルエリアの両方に適合するケーブルガasketまたはケーブルグランドを使用してください。

他のケーブルエリアに対応するケーブルガスカート、ケーブルグラウンドなどのアクセサリについては、www.axis.comを参照してください。

ハードウェアの設置

注記

- 本製品を使用する場所の地域条例、環境、電気的条件下によっては、シールドネットワークケーブル (STP) の使用が推奨または必須になります。本製品をネットワークに接続して屋外または電氣的に厳しい環境に配線する場合は、用途に合ったネットワークケーブルを使用してください。ネットワーク装置がメーカーの指示どおりに設置されていることを確認してください。
 (AXIS T93F05) 法的要件については、カメラのインストールガイドを参照してください。
 (AXIS T93F20) 法的要件については、*Regulatory Information on page 2*を参照してください。
- 画質低下の原因になるため、ウィンドウに傷や指紋を付けたり、損傷しないように注意してください。可能であれば、設置が完了するまでハウジングのウィンドウのプラスチック製の保護カバーは付けたままにしてください。

本製品は、ケーブルを壁に沿わせたり、壁の中を通して配線して、設置することができます。

本製品を設置する前に、すべての説明に目を通してください。

1. 壁面取付ブラケットの取り付け。ページ97を参照してください。詳しい取り付け手順については、壁面取付ブラケットに同梱のインストールガイド、またはwww.axis.comを参照してください。
2. ハウジングの壁面取付ブラケットへの取り付け。ページ98を参照してください。
3. カメラのハウジングへの収納。ページ101を参照してください。

壁面取付ブラケットの取り付け

▲注意

ネジやプラグ類が、壁の材質 (木、金属、石膏ボード、石) に適しているか確認してください。また、壁の材質が、カメラ、ハウジング、壁面取付ブラケットの合計重量を十分に支えられることを確認してください。

1. 壁面取付ブラケットを取り付ける壁面の準備を行います。壁面取付ブラケットを壁に合わせ、穴を開ける位置に印を付けます。
2. ネットワークケーブルを壁面ブラケットに通します。カメラとの接続用に、30 cmほどケーブルを残します。

3. I/O、音声、外部電源デバイスなどの補助デバイスをカメラに接続する場合、それぞれのデバイスについて同じ手順を繰り返します。
4. 壁面取付ブラケットを壁面に当て、ネジを締めて取り付けます。

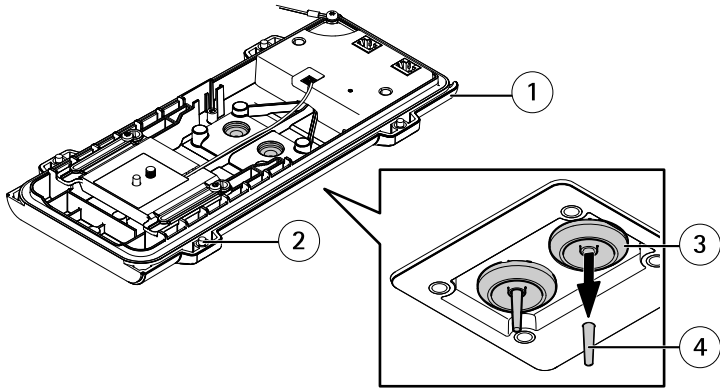
注意

- 詳しい取り付け手順については、壁面取付ブラケットに同梱のインストールガイド、またはwww.axis.comを参照してください。
- 技術仕様の詳細については、Axisのホームページ (www.axis.com) でカメラのユーザーズマニュアルを参照してください。

ハウジングの壁面取付ブラケットへの取り付け

注記

- 指定のケーブルエリアに収まるケーブルを使用してください。ページ96を参照してください。付属のケーブルガasket以外は使用しないでください。浸水し、製品が破損するおそれがあります。他のケーブルエリアに対応するケーブルガasket、ケーブルグランドについては、www.axis.comを参照してください。
 - 複数のケーブルを使用する場合、各ケーブルをそれぞれ別のケーブルガasketに通す必要があります。
 - 使用するケーブルガasketのみ穴を開けます。ケーブルガasketが破損した場合には、新品のケーブルガasketに交換してください。ケーブルガasketに穴を開けたままにしたり、破損したケーブルガasketを使用したりすると、浸水し、製品が破損するおそれがあります。
1. 裏蓋ネジを緩め、上蓋を持ち上げます。
 2. 使用するケーブルガasketを選び、タブを引いてネットワークケーブル用の穴を開けます。



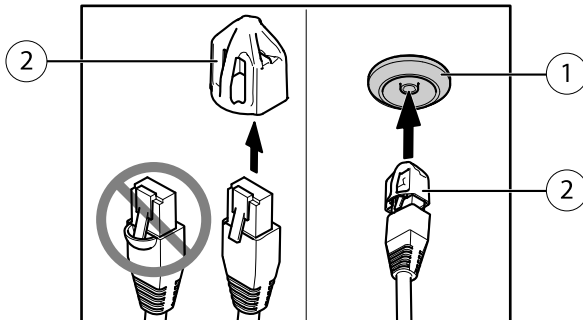
図例: AXIS T93F20

- 1 裏蓋
- 2 裏蓋ネジ T20 (×4)
- 3 ケーブルガasket M20 (×2)
- 4 タブ

3. ネットワークケーブルをケーブルガasketに通します。

注記

ネットワークケーブルにネットワークコネクタが付いている場合、ケーブルガasketを取り外し、コネクタガードを使用して、ケーブルガasketの破損を防止します。キャップ付きネットワークコネクタの付いたネットワークケーブルは使用しないでください。コネクタガードを使用してもケーブルガasketが破損するおそれがあります。



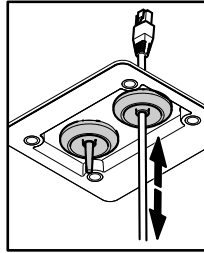
- 1 ケーブルガasket M20 (×2)
- 2 コネクタガード

AXIS T93F Series

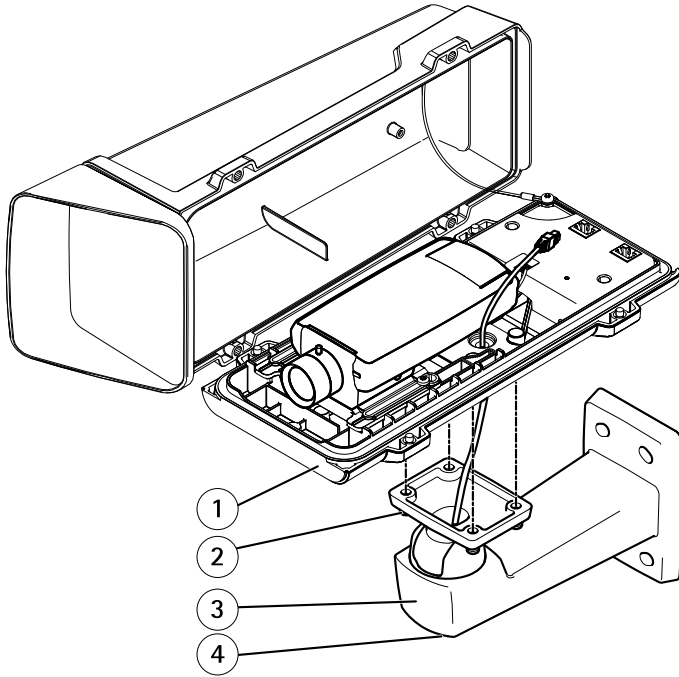
4. ネットワークケーブルを少し手前に引き、ケーブルガasketをケーブルにぴったりと合わせます。

注記

ケーブルを引いて手前に戻さないと、浸水して製品が損傷するおそれがあります。



5. ケーブルガasketが正しく取り付けられていることを確認します。
6. I/O、音声、外部電源デバイスなどの補助デバイスをカメラに接続する場合、それぞれのデバイスについて同じ手順を繰り返します。
7. 裏蓋を壁面取付ブラケットに取り付け、ネジを締めます (トルク2 Nm)。

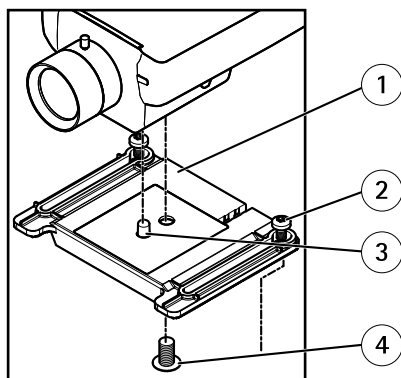


図例: AXIS T93F20とAXIS P13シリーズ

- 1 裏蓋
- 2 ネジ T20 (×4)
- 3 壁面ブラケット
- 4 ブラケット調節ネジ T30

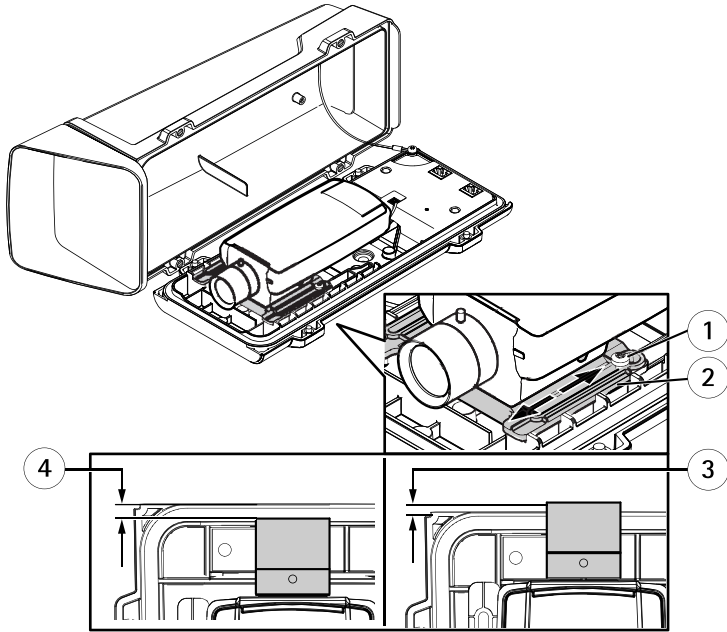
カメラのハウジングへの収納

1. ホルダーネジを緩め、ホルダーをスライドさせて持ち上げます。
2. カメラにホルダーを取り付けます。ピンとカメラ固定ネジをピン穴とスクリューマウントに合わせ、カメラネジを締めます (トルク1 Nm)。ネジを締めすぎないように注意してください。
(AXIS T93F20) ホルダーを取り付けやすくするため、一時的に裏蓋のヒーターコネクタからヒーターを外してもかまいません。ハードウェアの概要を参照してください。



- 1 ホルダー
- 2 ホルダーネジ T20 (×2)
- 3 ピン
- 4 カメラネジ T20

3. 外部/入力デバイス、音声デバイス、外部電源をカメラに接続する場合は、カメラのインストールガイドに記載された手順に従って接続してください。
4. 裏蓋にホルダーを取り付けます。ホルダーの位置を慎重に調整し、ホルダーネジを締めます (トルク0.5 Nm)。



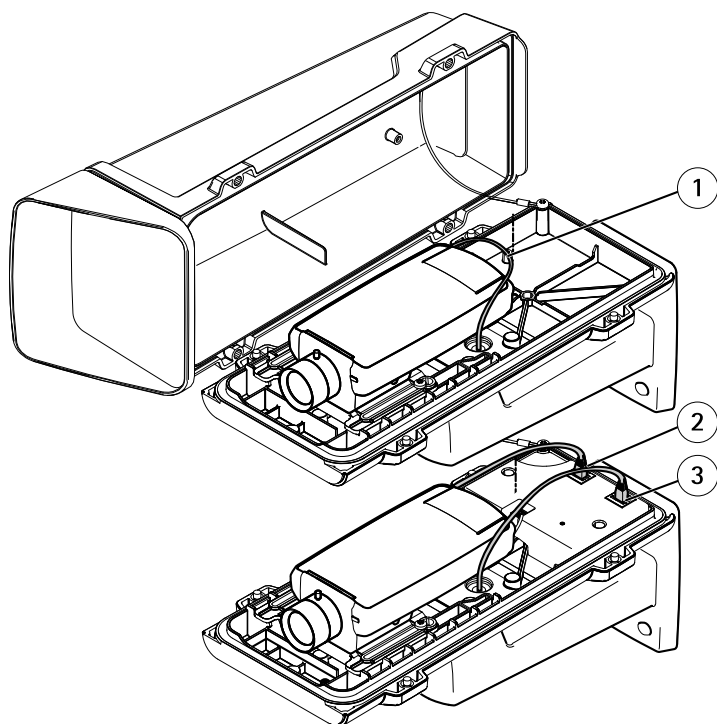
図例: AXIS T93F20とAXIS P13シリーズ

- 1 ホルダーネジ T20 (×2)
- 2 ホルダー
- 3 位置A (オーバーラップ): +3.7 mm
- 4 位置B (ギャップ): -6 mm ~ -4 mm

注記

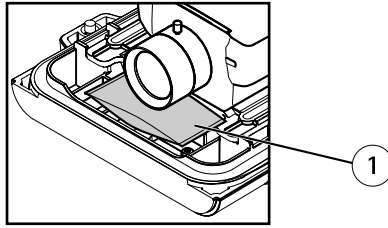
- 位置A: 画像に反射光が入り込むのを防ぐには、カメラのレンズの縁が裏蓋と+3.7 mm重なるようにホルダーの位置を調整します。この位置に設定すると、IK10に準拠しなくなることに注意してください。
 - 位置B: IK10準拠の要件を満たすには、カメラのレンズと裏蓋の縁のギャップが-6 ~ -4 mmになるようにホルダーの位置を調整します。
5. (AXIS T93F20) ヒーターを取り外していた場合は、裏蓋のヒーターコネクタにヒーターケーブルを再度接続します。
 6. SDカードをローカルストレージとして使用する場合は、カメラのSDカードスロットにSDカードを挿入します。
 7. ネットワークケーブルを接続します。
 - (AXIS T93F05) カメラをネットワークに接続します。

- (AXIS T93F20)ハウジングをネットワーク (PoE入力) に接続し、カメラをハウジング (PoE出力) に接続します。



図例: AXIS T93F05 (上)、AXIS T93F20 (下) とAXIS P13シリーズ

- 1 ネットワークケーブル
 - 2 ネットワークコネクタ (PoE出力)
 - 3 ネットワークコネクタ (PoE入力)
8. (AXIS T93F20) ハウジングのステータスLEDが正しい状態を示しているかを確認します。LEDインジケータ (AXIS T93F20) ページの 94を参照してください。
 9. カメラのLEDが正しい状態を示しているかを確認します。カメラのインストールガイドを参照してください。
 10. ブラケット調整ネジを緩め、カメラを撮影方向に向けます。ビデオストリームを表示する方法については、カメラのインストールガイドまたは www.axis.com/techsup を参照してください。
 11. 乾燥剤のビニール包装を取り外し、レンズの下に乾燥剤を置きます。



1 乾燥剤

12. ハウジングを閉じます。裏蓋ネジを数回ずつ回し、すべてのネジが締まるまでこれを繰り返します (トルク1.5 Nm)。これにより、裏蓋のガスケットに均等に力が掛かります。

注記

ハウジングを閉じるときに、ケーブルを挟まないよう注意してください。

13. ハウジングのウィンドウのプラスチック製の保護カバーを取り外します。
14. サンシールド (別売) を使用する場合は、上蓋にサンシールドをかぶせ、位置を調整し、ネジを締めて固定します。

関連情報

Axisラーニングセンター (www.axis.com/academy) にアクセスしてください。役に立つトレーニング、Webセミナー、チュートリアル、ガイドをご用意しています。

保証

Axisの製品保証と関連情報については、www.axis.com/warrantyをご覧ください。

