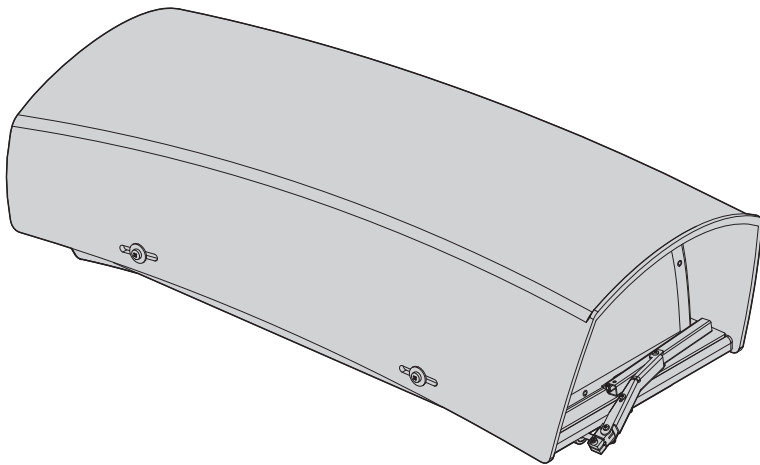




HGV

Extra-large sized housing



EN English - Instructions manual

IT Italiano - Manuale di istruzioni

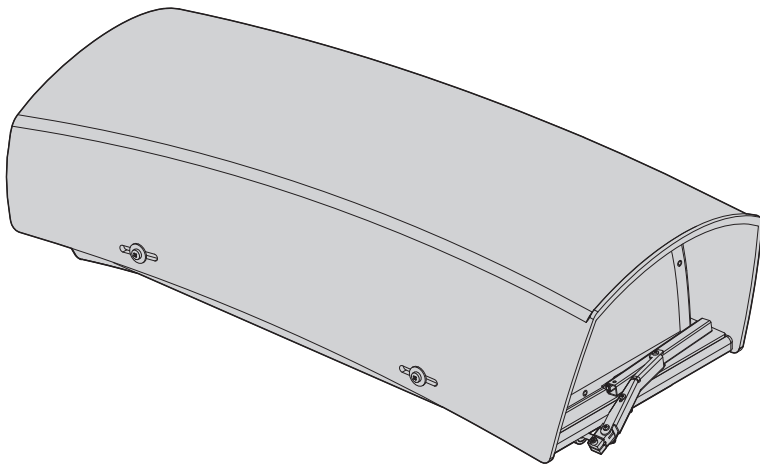
FR Francais - Manuel d'instructions

DE Deutsch - Bedienungsanleitung



HGV

Extra-large sized housing



Contents

1 About this manual	3
1.1 Typographical conventions	3
2 Notes on copyright and information on trademarks	3
3 Safety rules	3
4 Identification	4
4.1 Product description and type designation	4
4.2 Product markings	4
5 Preparing the product for use	4
5.1 Contents and unpacking	4
5.2 Safely disposing of packaging material	4
6 Assembling and installing	5
6.1 Assembly	5
6.2 Installation	5
6.2.1 Opening of the housing	5
6.2.1.1 Fastening of the lens and camera to the internal slide.....	5
6.2.1.2 Positioning of the H20 spacer in the inner slide	6
6.2.2 Positioning of the inner slide	6
6.2.3 Replacing of the cable gland plate with stainless steel plate supplied.....	6
6.2.4 Fastening of the wiper blade	7
6.2.5 Fastening of the small plate with nozzle	7
6.2.6 Closing the housing	7
6.3 Wiring	8
6.3.1 Wiper system.....	8
6.3.2 Connection of the power supply terminals in input and output.....	8
6.3.3 Tamper-switch signalling device	8
7 Maintaining and cleaning	9
7.1 Maintaining	9
7.1.1 Replacing of the glass in case of damage	9
7.2 Cleaning.....	9
7.2.1 Window and plastic cover cleaning (PC).....	9
8 Disposal of waste materials	9
9 Technical specifications	9
9.1 General	9
9.2 Mechanical.....	9
9.3 Electrical	10
9.4 Environment.....	10
9.5 Compliance to	10
10 Technical drawings	10

1 About this manual

Before installing and using this unit, please read this manual carefully. Be sure to keep it handy for later reference.

1.1 Typographical conventions



DANGER!

High level hazard.

Risk of electric shock; disconnect the power supply before proceeding with any operation, unless indicated otherwise.



WARNING!

Medium level hazard.

This operation is very important for the system to function properly. Please read the procedure described very carefully and carry it out as instructed.



INFO

Description of system specifications. We recommend reading this part carefully in order to understand the subsequent stages.

2 Notes on copyright and information on trademarks

The quoted names of products or companies are trademarks or registered trademarks.

3 Safety rules



The manufacturer declines all responsibility for any damage caused by an improper use of the appliances mentioned in this manual. Furthermore, the manufacturer reserves the right to modify its contents without any prior notice. The documentation contained in this manual has been collected with great care, the manufacturer, however, cannot take any liability for its use. The same thing can be said for any person or company involved in the creation and production of this manual.

- The device must be installed only and exclusively by qualified technical personnel.
- Before any technical work on the appliance, disconnect the power supply.
- Do not use power supply cables that seem worn or old.
- Never, under any circumstances, make any changes or connections that are not shown in this handbook: improper use of the appliance can cause serious hazards, risking the safety of personnel and of the installation.
- Use only original spare parts. Not original spare parts could cause fire, electrical discharge or other hazards.
- Before proceeding with installation check the supplied material to make sure it corresponds to the order specification by examining the identification labels ("*4.2 Product markings*", page 4).

4 Identification

4.1 Product description and type designation

Large-size housing, designed to allow mounting of the largest "zoom cctv lenses" on the market; for example PENTAX 55x, FUJINON 60x, PENTAX 18x, COMPUTAR 30x, COMPUTAR 50x ... and many others.

Its water-tightness is assured by the neoprene rubber gaskets, by 4 M16 cable glands equipped with relative gaskets and by the stainless steel screws that guarantee its permanent closure.

It is made up by a shell-cast aluminium base, epoxy polyester powder painted, and by an upper casing with integrated sunshield in ABS PMMA plastic material, colour RAL9002.

The housing is supplied with incorporated wiper which doesn't interfere with the field of vision of the lens-camera installed.

The ideal inner temperature is assured by enhanced heating and by service fans for continual air re-circulation.

The assembling and adjustment of the lenses-cameras are facilitated by the possibility of extracting the upper casing with integrated sunshield and to leave them hanging from the sturdy anchoring cable.

The HGV housing is ideal for outdoor applications, as in the case of fire monitoring, public security, harbours, coastlines, airports, environmental monitoring and border surveillance.

4.2 Product markings

See the label attached to the outside of the package.

5 Preparing the product for use



Any change that is not expressly approved by the manufacturer will invalidate the guarantee.

5.1 Contents and unpacking

When the product is delivered, make sure that the package is intact and that there are no signs that it has been dropped or scratched.

If there are obvious signs of damage, contact the supplier immediately.

Keep the packaging in case you need to send the product for repairs.

Check the contents to make sure they correspond with the list of materials as below:

- Housing
- Housing equipment:
 - Wiper blade
 - Plate with nozzle for wiper
 - Stainless steel plate without holes for cable glands/connectors
 - Bracket for mounting lenses and cameras
 - Stainless steel washers and screws
 - Nylon spacers for camera and lens
 - Galvanised plate spacer, 20mm-high
 - Nylon washers
 - 1/4" screw for lens and camera
 - Allen key
 - Silica gel sachet
- Instructions manual

5.2 Safely disposing of packaging material

The packaging material can all be recycled. The installer technician will be responsible for separating the material for disposal, and in any case for compliance with the legislation in force where the device is to be used.

Bear in mind that if the material has to be returned due to a fault, using the original packaging for its transport is strongly recommended.

6 Assembling and installing

 Only specialised personnel should be allowed to assemble and install the device.

6.1 Assembly

Mount the sunshield to the housing with the 4 screws and washers provided as standard.

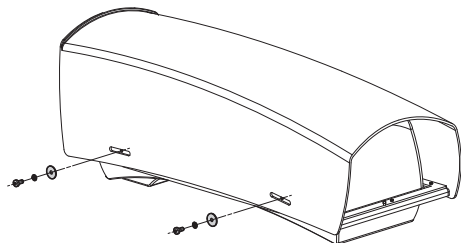


Fig. 01

6.2 Installation

Secure the housing to the bracket with the 4 screws provided as standard.

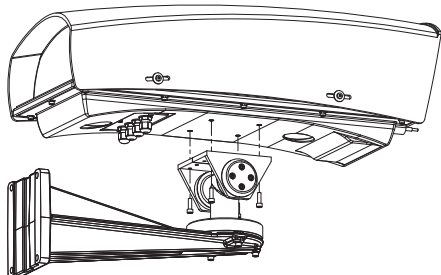


Fig. 02

6.2.1 Opening of the housing

Undo the 12 captive screws

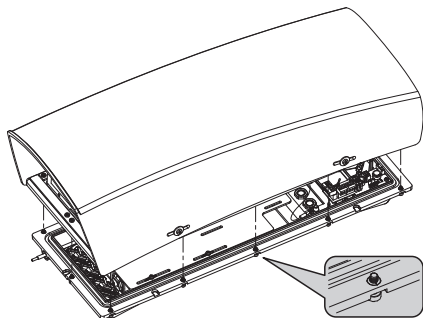


Fig. 03

Lift the upper casing with integrated sunshield and leave it hanging to the sturdy anchoring cable.

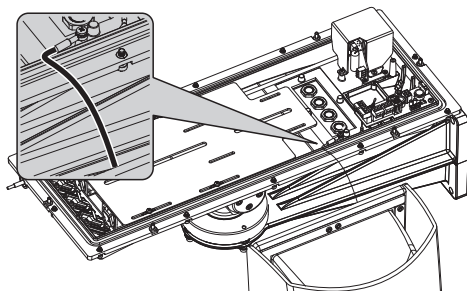


Fig. 04

6.2.1.1 Fastening of the lens and camera to the internal slide

Hook the camera (02) to the lens (01).

Fasten the L-shaped small aluminium bracket of the selected length (03) to the camera by means of the nylon washer (04) and the 1/4" screw (05).

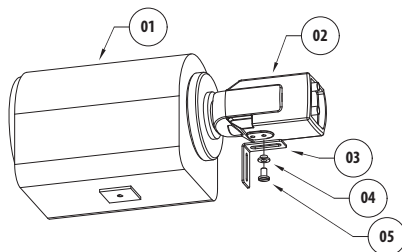


Fig. 05

Position the lens on the slide (02) interposing the plastic spacer (01), and fasten the whole assembly by means of the nylon washer (03) and the 1/4" screw (04).

If necessary, use the additional spacers to correctly position the camera and lens

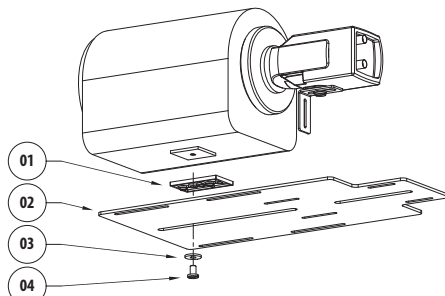


Fig. 06

Fasten the aluminium plate (01) on the slide by means of the 2 M4 screws and relative washers (02).

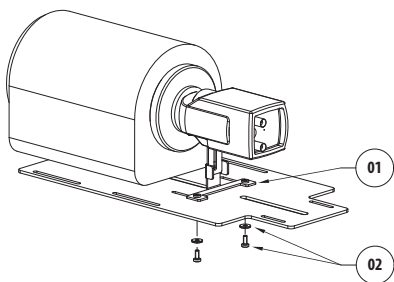


Fig. 07

Then fasten the two small plates with the M4 screw (01).

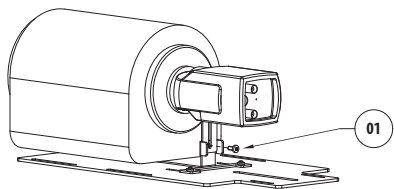


Fig. 08

6.2.1.2 Positioning of the H20 spacer in the inner slide

Perform the same operations shown in Fig. 05, page 5.

It is possible to fasten the H20 spacer (02) to the lens, interposing a plastic spacer (01) of the required thickness, by means of washer and screw (03).

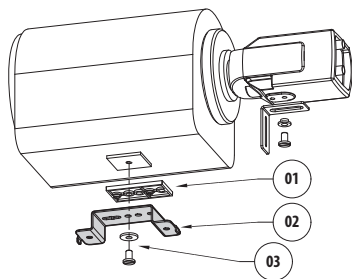


Fig. 09

Position the lens with the spacer (01) in the inner slide (02) and fasten the spacer by means of the washers and screws (03) provided as standard.

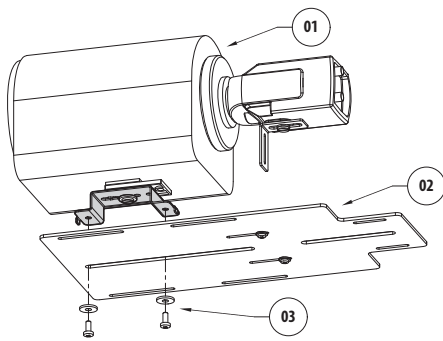


Fig. 10

Now proceed with the operations shown in Fig. 07, page 6 and Fig. 08, page 6.

6.2.2 Positioning of the inner slide

Shift the inner slide with lens and camera already fastened into the wanted position and secure it by means of the four washers and screws provided.

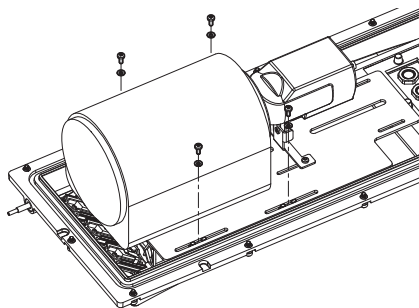


Fig. 11

6.2.3 Replacing of the cable gland plate with stainless steel plate supplied



In order to maintain the housing's IP66 degree of protection it is necessary for the connector or cable gland inserted in the plate to have the same degree of protection

Drill the plate supplied as required.

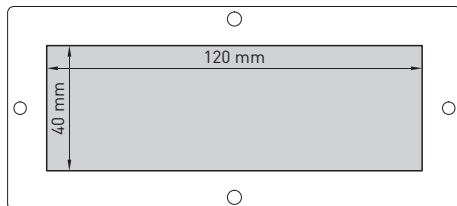


Fig. 12 Useful drilling area.

Replace the standard plate by undoing the 4 fastening screws.

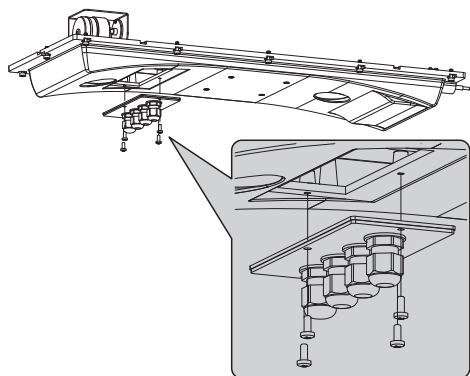


Fig. 13

Position the EPDM gaskets between the new plate and the housing before fastening it to the housing itself.

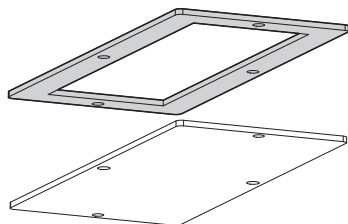


Fig. 14

6.2.4 Fastening of the wiper blade

Insert the blade in the wiper shaft.

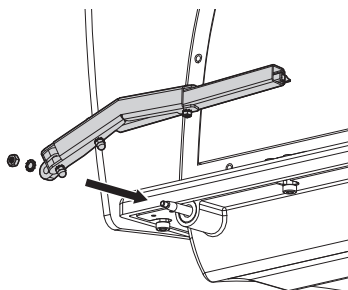


Fig. 15

Position the blade in the stop position.

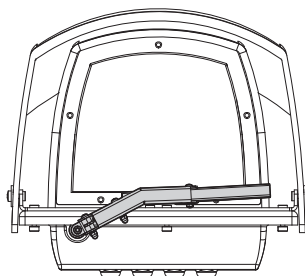


Fig. 16

! The correct adjustment must allow the return of the blade to the stop position going to the end stop on the casing's plate.

Fasten the whole assembly by means of the washer and nut.

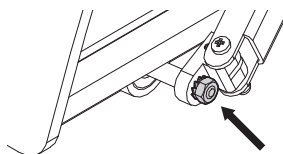


Fig. 17

6.2.5 Fastening of the small plate with nozzle

Fasten the plate with nozzle already assembled to the lower casing by means of the two screws supplied

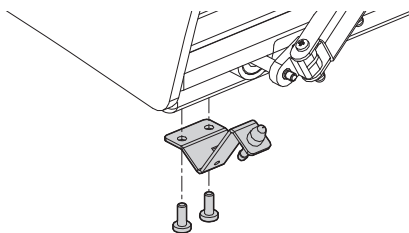


Fig. 18

i To calibrate the jet direct the nozzle towards the glass of the housing.

Fasten the nut to fix the nozzle in its position.

6.2.6 Closing the housing

Close the housing following the opposite procedure ("*6.2.1 Opening of the housing*", page 5). Fasten with tightening torque of 1,6Nm.

6.3 Wiring

6.3.1 Wiper system

This section describes how to connect the housings equipped with glass wiper system

For these versions it is not necessary to mount any component inside the casing since the units are supplied complete with all the elements necessary, according to the model requested.

- Connect terminal S of clamp J1, to the mains power phase
- Connect terminal C of clamp J1, to the mains power neutral.
- Connect terminal P of clamp J1, to a push-button which in turn is connected to the mains power phase, and allows the activation of the wiper system by keeping it pressed. By releasing the push-button the wiper blade will return to the rest position.

Should a receiver with wiper command be available, connect terminals SW, PER and COM respectively to terminals S, P and C of clamp J1.

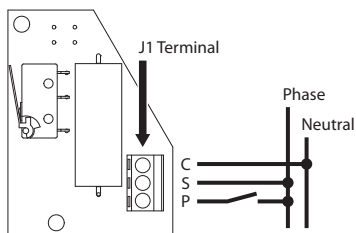


Fig. 19

⚠ In the 230Vac model it is necessary to insert on the supply line, upstream of the equipment, a unipolar 10 main switch (distance of contacts opening $d > 3$ mm). This switch must be used as circuit breaker to the power supply before carrying out any maintenance operation or opening of the equipment.



In the 230Vac model, a strap must be applied between the 3 conductors to avoid the risk of accidental contacts between the phase wire and the accessible conductive part.

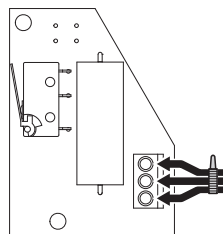


Fig. 20

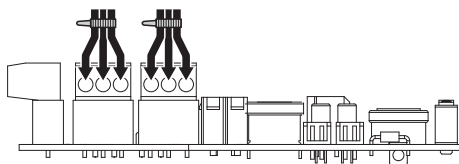


Fig. 21

6.3.2 Connection of the power supply terminals in input and output

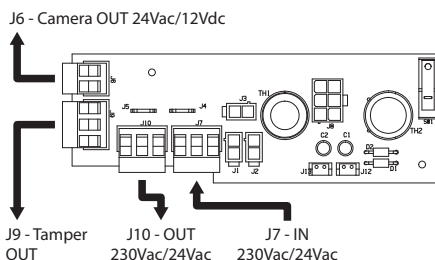


Fig. 22

6.3.3 Tamper-switch signalling device

In order to connect the tamper-switch, refer to terminal J9 of Fig. 22, page 8, taking the following indications into account:

TAMPER-SWITCH CONNECTION	
COM	Common switch
NC	Normally closed terminal
NO	Normally open terminal

Tab. 01



Operating voltage of switch, less than 30Vac or 60Vdc.

7 Maintaining and cleaning

7.1 Maintaining

7.1.1 Replacing of the glass in case of damage

Loosen the 5 nuts.

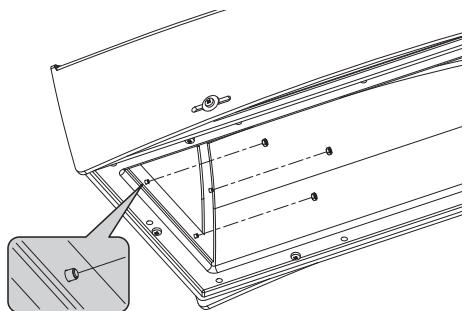


Fig. 23

Extract the external glass plate from the inner one.

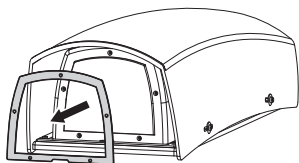


Fig. 24

Replace the plate with glass in place of the one damaged.

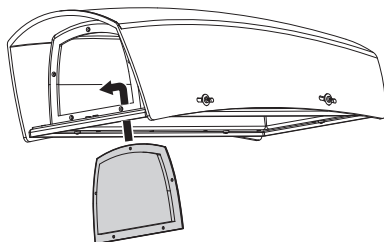


Fig. 25

Reassemble the whole set in reverse as compared with the dismantling and re-fasten the 5 nuts with a tightening torque of 1,6Nm.

7.2 Cleaning

7.2.1 Window and plastic cover cleaning (PC)

Surface dirt should be rinsed away with water and then the window cleaned with a neutral soap diluted with water, or specific products for spectacle lens cleaning. These should be applied with a soft cloth.

⚠ Avoid ethyl alcohol, solvents, hydrogenated hydrocarbide, strong acid and alkali. Such products may irreparably damage the surface.

8 Disposal of waste materials

♻ This symbol mark and recycle system are applied only to EU countries and not applied to the countries in the other area of the world.

Your product is designed and manufactured with high quality materials and components which can be recycled and reused.

This symbol means that electrical and electronic equipment, at their end-of-life, should be disposed of separately from your household waste.

Please dispose of this equipment at your local Community waste collection or Recycling centre.

In the European Union there are separate collection systems for used electrical and electronic products.

9 Technical specifications

9.1 General

Base in aluminium, epoxypolyester powder painting, RAL9002 colour

Upper body and sunshield in ABS

Stainless steel external screws

Supplied with instruction manual, desiccant bag, accessories for camera and lens mounting

9.2 Mechanical

Plate with 4xM16 cable glands (in addition a stainless steel plate is supplied for customized drilling)

Glass window: see drawing

Internal usable area: see drawing

Unit Weight: 9.2kg / 20.2lb

9.3 Electrical

Integrated wiper

- IN 230Vac, consumption 7W max
- IN 24Vac, consumption 7W max

Heater Ton 15°C/+/-3°C (59°F +/-5°F) Toff 22°C/+/-3°C (71°F +/-5°F)

- IN 115/230Vac, fan assisted triple heater, consumption 150W
- IN 24Vac, fan assisted triple heater, consumption 80W

Camera power supply

- IN 100-240Vac - OUT 12Vdc, 50/60 Hz, 1A

9.4 Environment

Indoor / Outdoor

Operating temperature with heater: -20°C / +50°C (-4°F / +122°F)

9.5 Compliance to

IP66/IP67 according to EN 60529 with cable glands

10 Technical drawings

i The values are in millimeters.

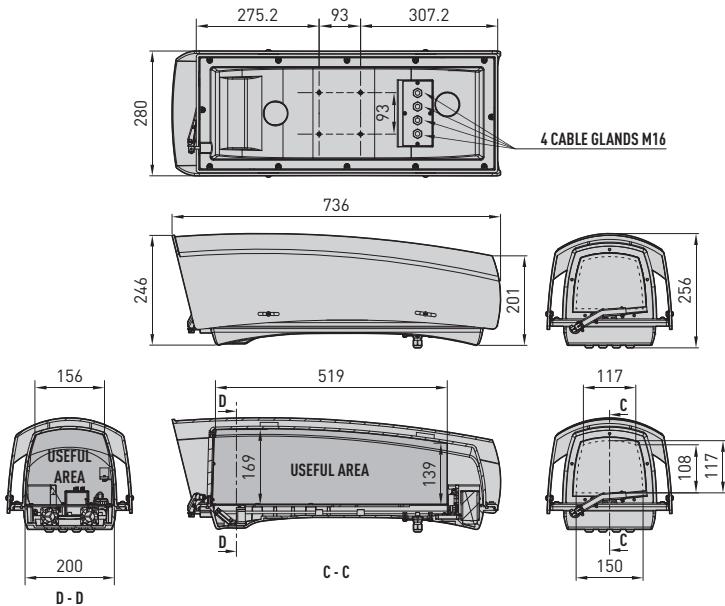


Fig. 26 HGV



VIDEOTECH S.p.A.
www.videotec.com
Printed in Italy
MNVCHGV_0850_EN

HEADQUARTERS ITALY

VIDEOTECH S.p.A.
Tel. +39 0445 697411
Fax +39 0445 697414
info@videotec.com

FRANCE

VIDEOTECH FRANCE S.A.R.L.
Tel. +33 2 32094900
Fax +33 2 32094901
info@videotec-france.com

UK / IRELAND

VIDEOTECH UK SALES
Tel. +44 0113 815 0047
Fax +44 0113 815 0047
uksales@videotec.com

U.S.A. / CANADA

VIDEOTECH SECURITY, Inc.
Tel. +1 973 5950788
Fax +1 425 6484289
usasales@videotec.com

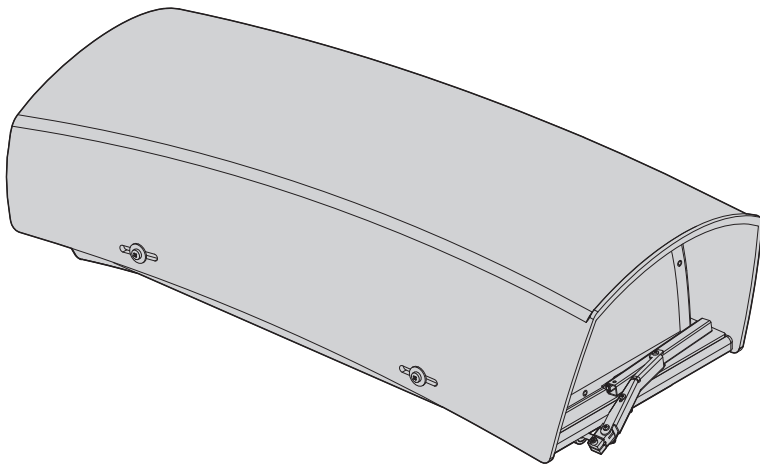
ASIA PACIFIC

VIDEOTECH (HK) Ltd
Tel. +852 2333 0601
Fax +852 2311 0026
info@videotec.com.hk



HGV

Custodia stagna extra large



Sommario

1 Informazioni sul presente manuale	3
1.1 Convenzioni tipografiche	3
2 Note sul copyright e informazioni sui marchi commerciali	3
3 Norme di sicurezza	3
4 Identificazione	4
4.1 Descrizione e designazione del prodotto	4
4.2 Marcatatura del prodotto	4
5 Preparazione del prodotto per l'utilizzo	4
5.1 Contenuto e disimballaggio	4
5.2 Smaltimento in sicurezza dei materiali di imballaggio	4
6 Assemblaggio e installazione	5
6.1 Assemblaggio	5
6.2 Installazione	5
6.2.1 Apertura della custodia	5
6.2.1.1 Fissaggio dell'ottica e telecamera alla slitta interna	5
6.2.1.2 Posizionamento del distanziale H20 nella slitta interna	6
6.2.2 Posizionamento della slitta interna	6
6.2.3 Sostituzione della piastra pressacavi con piastra inox in dotazione	6
6.2.4 Fissaggio della spazzola tergitristallo	7
6.2.5 Fissaggio della piastrina con ugello	7
6.2.6 Chiusura della custodia	7
6.3 Cablaggi	8
6.3.1 Sistema tergitristallo	8
6.3.2 Collegamento dei morsetti di alimentazione in ingresso e uscita	8
6.3.3 Dispositivo di segnalazione antiapertura	8
7 Manutenzione e pulizia	9
7.1 Manutenzione	9
7.1.1 Sostituzione del vetro in caso di rottura	9
7.2 Pulizia	9
7.2.1 Pulizia del vetro e delle parti in plastica (PC)	9
8 Smaltimento dei rifiuti	9
9 Dati tecnici	9
9.1 Generale	9
9.2 Meccanica	9
9.3 Elettrico	10
9.4 Ambiente	10
9.5 Conformità	10
10 Disegni tecnici	10

1 Informazioni sul presente manuale

Prima di installare e utilizzare questa unità, leggere attentamente questo manuale. Conservare questo manuale a portata di mano come riferimento futuro.

1.1 Convenzioni tipografiche



PERICOLO!

Pericolosità elevata.

Rischio di scosse elettriche. Togliere l'alimentazione prima di procedere con le operazioni, salvo diversa indicazione.



ATTENZIONE!

Pericolosità media.

L'operazione è molto importante per il corretto funzionamento del sistema. Si prega di leggere attentamente la procedura indicata e di eseguirla secondo le modalità previste.



INFO

Descrizione delle caratteristiche del sistema.

Si consiglia di leggere attentamente per comprendere le fasi successive.

2 Note sul copyright e informazioni sui marchi commerciali

I nomi di prodotto o di aziende citati sono marchi commerciali o marchi commerciali registrati appartenenti alle rispettive società.

3 Norme di sicurezza



Il produttore declina ogni responsabilità per eventuali danni derivanti da un uso improprio delle apparecchiature menzionate in questo manuale. Si riserva inoltre il diritto di modificarne il contenuto senza preavviso. Ogni cura è stata posta nella raccolta e nella verifica della documentazione contenuta in questo manuale, tuttavia il produttore non può assumersi alcuna responsabilità derivante dall'utilizzo della stessa. Lo stesso dicasi per ogni persona o società coinvolta nella creazione e nella produzione di questo manuale.

- L'installazione e la manutenzione del dispositivo deve essere eseguita solo da personale tecnico qualificato.
- Prima di effettuare interventi tecnici sull'apparecchio togliere l'alimentazione elettrica.
- Non utilizzare cavi di alimentazione con segni di usura o invecchiamento.
- Non effettuare per nessun motivo alterazioni o collegamenti non previsti in questo manuale: l'uso di apparecchi non idonei può portare a gravi pericoli per la sicurezza del personale e dell'impianto.
- Utilizzare solo parti di ricambio originali. Pezzi di ricambio non originali potrebbero causare incendi, scariche elettriche o altri pericoli.
- Prima di procedere con l'installazione controllare che il materiale fornito corrisponda alle specifiche richieste esaminando le etichette di marcatura ("*4.2 Marcatura del prodotto*", pagina 4).

4 Identificazione

4.1 Descrizione e designazione del prodotto

Custodia di grandi dimensioni, progettata per permettere l'inserimento tra i più grandi "zoom cctv lensens" in commercio; ad esempio PENTAX 55x, FUJINON 60x, PENTAX 18x, COMPUTAR 30x, COMPUTAR 50x ... e molti altri.

La sua tenuta stagna è mantenuta dalle guarnizioni in gomma neoprene, da 4 pressacavi M16 dotati di relative guarnizioni e dalle viti in acciaio inossidabile che ne garantiscono una stabile chiusura.

E composta da una base in alluminio ottenuta per fusione in conchiglia verniciata a polvere in epossipoliestere, e da un corpo superiore con tettuccio integrato in materiale plastico ABS Metacrilato colore RAL9002.

La custodia è fornita con tergicristallo integrato che non interferisce con il campo visivo dell'ottica/telecamera installata.

La temperatura interna ideale è assicurata da un riscaldamento potenziato e da ventilatori di servizio per un continuo ricircolo dell'aria.

Il montaggio e la regolazione delle ottiche/telecamere sono facilitati dalla possibilità di estrarre il corpo superiore con il tettuccio integrato e di lasciarli appesi al robusto cavo di ancoraggio.

La custodia HGV è l'ideale per applicazioni in esterno, come il controllo incendi, la sicurezza pubblica, dei porti, delle coste, degli aeroporti, il monitoraggio dell'ambiente e la sorveglianza dei confini.

4.2 Marcatura del prodotto

Vedere l'etichetta posta sull'esterno dell'imballo.

5 Preparazione del prodotto per l'utilizzo



Qualsiasi cambiamento non espressamente approvato dal costruttore fa decadere la garanzia.

5.1 Contenuto e disimballaggio

Alla consegna del prodotto verificare che l'imballo sia integro e non abbia segni evidenti di cadute o abrasioni.

In caso di evidenti segni di danno all'imballo contattare immediatamente il fornitore.

Conservare l'imballo nel caso sia necessario inviare il prodotto in riparazione.

Controllare che il contenuto sia rispondente alla lista del materiale sotto indicata:

- Custodia
- Dotazione per custodia:
 - Spazzola tergicristallo
 - Piastra con ugello per tergicristallo
 - Piastra in acciaio inox chiusa per pressacavi/connettori
 - Staffe fissaggio ottiche e telecamere
 - Rondelle e viti inox
 - Distanziali in nylon per telecamera e ottica
 - Distanziale in lamiera zincata alto 20mm
 - Rondelle in nylon
 - Viti 1/4" per ottica e telecamera
 - Chiave a brugola
 - Sacchetto sali essicanti
- Manuale di istruzioni

5.2 Smaltimento in sicurezza dei materiali di imballaggio

I materiali d'imballo sono costituiti interamente da materiale riciclabile. Sarà cura del tecnico installatore smaltirli secondo le modalità di raccolta differenziata o comunque secondo le norme vigenti nel Paese di utilizzo.

Si ricorda comunque che in caso di ritorno di materiale con malfunzionamenti è consigliato l'imballaggio originale per il trasporto.

6 Assemblaggio e installazione



L'assemblaggio e l'installazione vanno eseguiti solo da personale specializzato.

6.1 Assemblaggio

Fissare il tettuccio alla custodia tramite le 4 viti e le 4 rondelle fornite in dotazione.

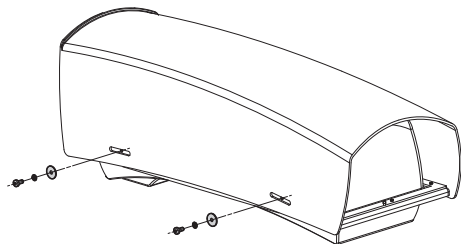


Fig. 01

6.2 Installazione

Fissare la custodia alla staffa tramite le 4 viti fornite in dotazione.

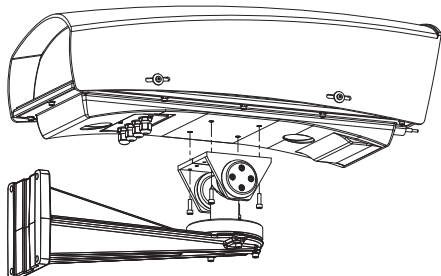


Fig. 02

6.2.1 Apertura della custodia

Svitare le 12 viti antiperdita.

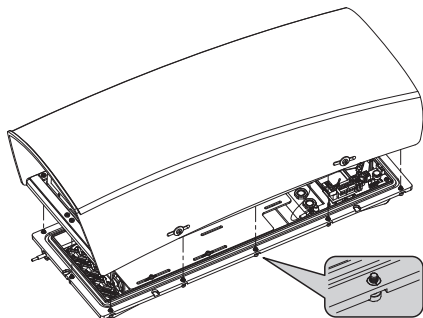


Fig. 03

Sollevare il corpo superiore con tettuccio integrato e lasciarlo appeso al robusto cavo di ancoraggio.

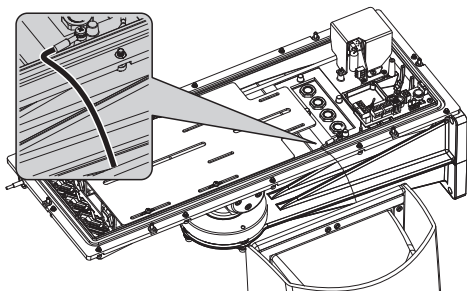


Fig. 04

6.2.1.1 Fissaggio dell'ottica e telecamera alla slitta interna

Agganciare la telecamera (02) all'ottica (01).

Fissare la staffetta in alluminio a L della lunghezza prescelta (03) alla telecamera tramite la rondella in nylon (04) e la vite da 1/4" (05).

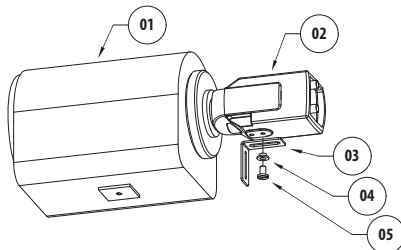


Fig. 05

Posizionare l'ottica sulla slitta (02) interponendo il distanziale in plastica (01) e fissare il tutto con la rondella in nylon (03) e la vite da 1/4".

Se necessario utilizzare i distanziali supplementari per posizionare in modo corretto telecamera e ottica.

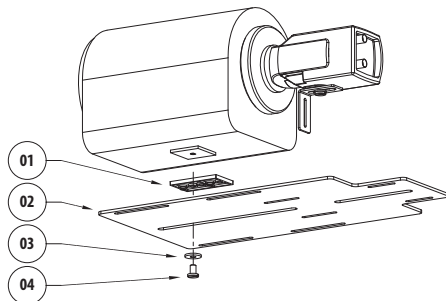


Fig. 06

Fissare la piastra in alluminio (01) sulla slitta tramite le 2 viti M4 e le relative rondelle (02).

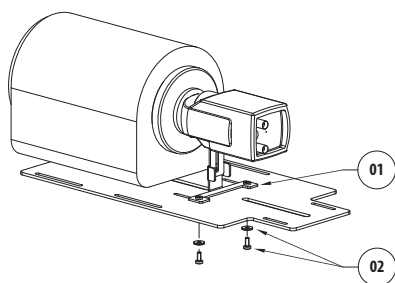


Fig. 07

Fissare poi le due piastri con la vite M4 (01).

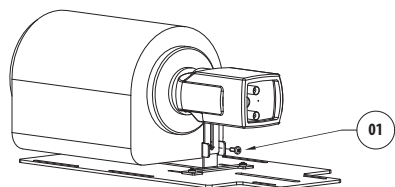


Fig. 08

6.2.1.2 Posizionamento del distanziale H20 nella slitta interna

Effettuare le stesse operazioni indicate in Fig. 05, pagina 5.

È possibile fissare un distanziale H20 (02) all'ottica interponendo un distanziale di plastica (01) dello spessore desiderato, tramite rondella e vite (03).

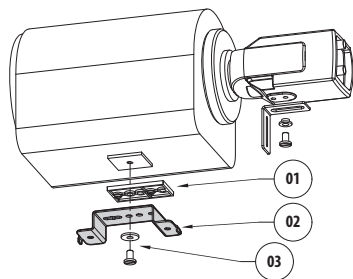


Fig. 09

Posizionare l'ottica con il distanziale (01) sulla slitta interna (02) e fissare tramite le rondelle e le viti (03) fornite in dotazione.

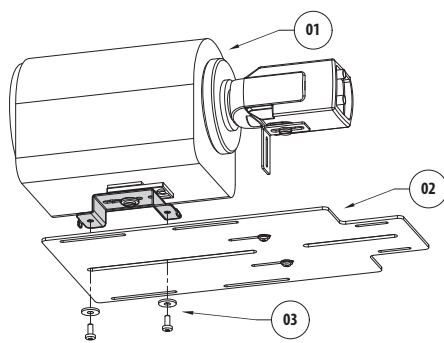


Fig. 10

Procedere quindi con le operazioni come in Fig. 07, pagina 6 e Fig. 08, pagina 6.

6.2.2 Posizionamento della slitta interna

Far scorrere la slitta interna con ottica e telecamera già fissate nella posizione desiderata e fissarla tramite le 4 rondelle e viti in dotazione

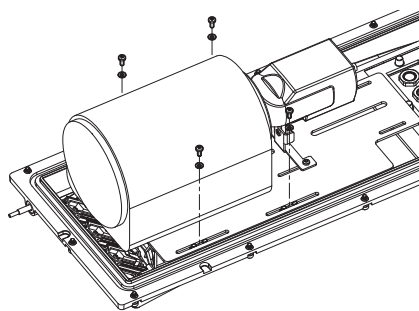


Fig. 11

6.2.3 Sostituzione della piastra pressacavi con piastra inox in dotazione



Per mantenere il grado di protezione IP66 della custodia bisogna che il connettore o pressacavo inseriti nella piastra abbiano tale grado di protezione

Forare secondo necessità la piastra in dotazione

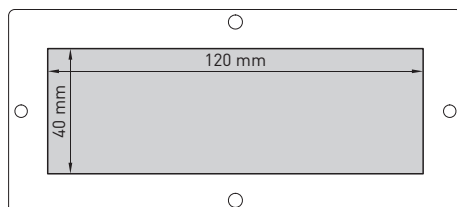


Fig. 12 Area utile foratura.

Sostituire la piastra standard
svitando le 4 viti di fissaggio

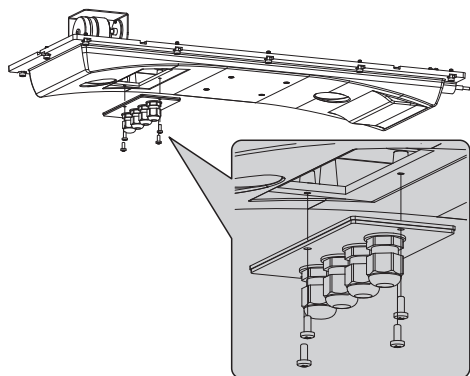


Fig. 13

Posizionare la guarnizione in EPDM tra la nuova
piastra e la custodia prima di fissarla alla custodia

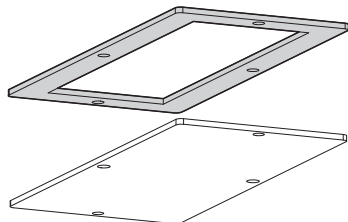


Fig. 14

6.2.4 Fissaggio della spazzola tergicristallo

Inserire la spazzola all'albero del tergicristallo

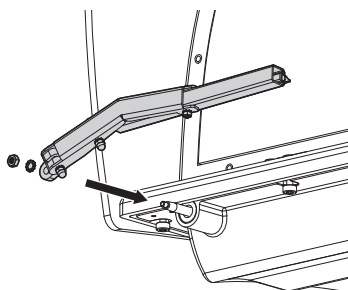


Fig. 15

Mettere la spazzola nella posizione di riposo.

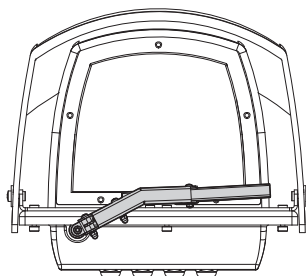


Fig. 16



**La regolazione corretta deve
permettere alla spazzola di ritornare
nella posizione di riposo andando in
battuta sulla piastra del corpo.**

Fissare il tutto tramite rondella e dado.

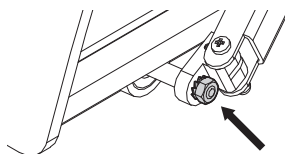


Fig. 17

6.2.5 Fissaggio della piastrina con ugello

Fissare la piastra con l'ugello già assemblato
al corpo inferiore tramite le due viti fornite.

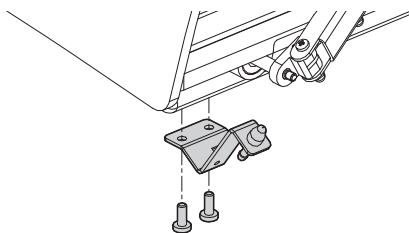


Fig. 18



**Per calibrare il getto orientare l'ugello
verso il vetro della custodia.**

Fissare il dado per bloccare l'ugello in posizione.

6.2.6 Chiusura della custodia

Chiudere la custodia seguendo il procedimento
inverso ("6.2.1 Apertura della custodia", pagina 5).
Fissare con coppia di serraggio pari a 1,6Nm.

6.3 Cablaggi

6.3.1 Sistema tergcristallo

Questa sezione descrive come collegare le custodie munite di sistema tergcristallo.

Per queste versioni non è necessario collocare alcun componente all'interno perché vengono fornite complete di tutto il necessario, a seconda del modello richiesto.

- Collegare il terminale S, del morsetto J1, alla fase della tensione di rete.
- Collegare il terminale C, del morsetto J1, al neutro della tensione di rete.
- Collegare il terminale P, del morsetto J1, ad un pulsante che, a sua volta collegato alla fase della tensione di rete, permette di attivare il sistema tergcristallo tenendolo premuto. Rilasciando il pulsante la spazzola del tergcristallo si riporterà in posizione di riposo.

Nel caso si disponga di un ricevitore con funzione di comando wiper, collegare i morsetti SW, PER e COM rispettivamente ai terminali S, P e C del morsetto J1.

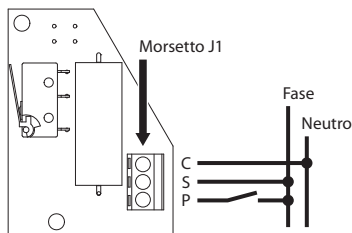


Fig. 19

⚠ Nella versione alimentata a 230Vac occorre inserire sulla linea di alimentazione, a monte dell'apparecchiatura, un interruttore generale unipolare 1 0 (distanza apertura dei contatti $d > 3$ mm). Tale interruttore deve essere utilizzato come mezzo di separazione dell'alimentazione prima di eseguire qualsiasi operazione di manutenzione o apertura dell'apparecchiatura.



Nella versione alimentata a 230Vac occorre applicare una fascetta tra i 3 conduttori per evitare il rischio di contatti accidentali tra filo di fase e parte conduttrice accessibile.

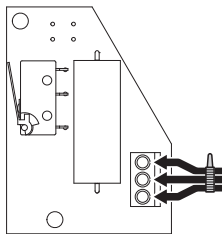


Fig. 20

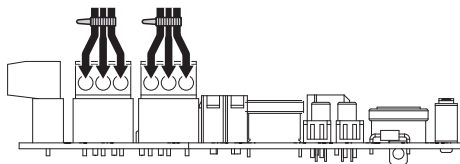


Fig. 21

6.3.2 Collegamento dei morsetti di alimentazione in ingresso e uscita

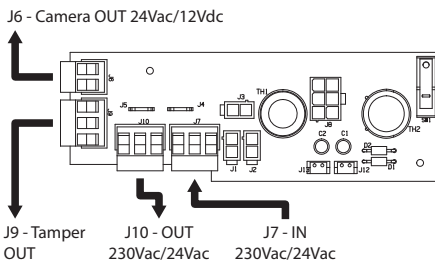


Fig. 22

6.3.3 Dispositivo di segnalazione antiapertura

Per il collegamento dell'interruttore antiapertura fare riferimento al morsetto J9 di Fig. 22, pagina 8, tenendo presente le seguenti indicazioni:

COLLEGAMENTO INTERRUOTORE ANTIAPERTURA	
COM	Comune interruttore
NC	Morsetto normalmente chiuso
NO	Morsetto normalmente aperto

Tab. 01



Tensione di funzionamento interruttore minore di 30Vac o 60Vdc.

7 Manutenzione e pulizia

7.1 Manutenzione

7.1.1 Sostituzione del vetro in caso di rottura

Allentare i 5 dadi.

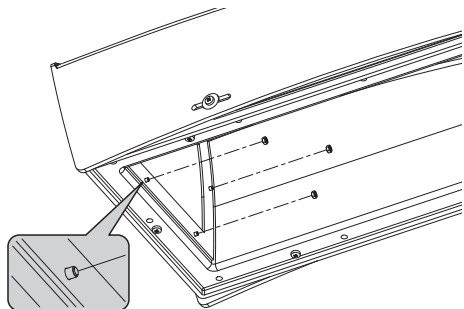


Fig. 23

Estrarre la piastra esterna del vetro da quella interna.

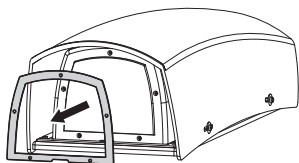


Fig. 24

Sostituire la lamiera con il vetro incollato con quella danneggiata.

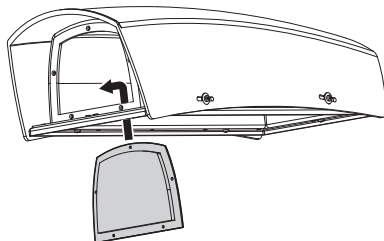


Fig. 25

Riassemblare il tutto in maniera opposta e fissare i 5 dadi con coppia di serraggio pari a 1,6Nm.

7.2 Pulizia

7.2.1 Pulizia del vetro e delle parti in plastica (PC)

Si consigliano saponi neutri diluiti con acqua o prodotti specifici per la pulizia delle lenti degli occhiali con l'utilizzo di un panno morbido.



Sono da evitare alcool etilico, solventi, idrocarburi idrogenati, acidi forti e alcali. L'utilizzo di detti prodotti danneggia in modo irreparabile la superficie delle parti in plastica.

8 Smaltimento dei rifiuti



Questo simbolo e il sistema di riciclaggio sono validi solo nei paesi dell'EU e non trovano applicazione in altri paesi del mondo.

Il vostro prodotto è stato costruito da materiali e componenti di alta qualità, che sono riutilizzabili o riciclabili.

Prodotti elettrici ed elettronici che portano questo simbolo alla fine dell'uso devono essere smaltiti separatamente dai rifiuti casalinghi.

Vi preghiamo di smaltire questo apparecchio in un Centro di raccolta o in un'Ecostazione.

Nell'Unione Europea esistono sistemi di raccolta differenziata per prodotti elettrici ed elettronici.

9 Dati tecnici

9.1 Generale

Base in alluminio, verniciatura a polveri di epossipoliestere, colore RAL9002

Corpo superiore e tettuccio in ABS

Viteria esterna in acciaio Inox

Fornita con manuale di istruzioni, sacchetto sale, accessori montaggio telecamera e obiettivo

9.2 Meccanica

Piastra con 4 pressacavi M16 (in dotazione piastra inox chiusa per forature personalizzate)

Finestra in vetro: vedi disegno

Dimensioni utili interne: vedi disegno

Peso Unitario: 9.2kg

9.3 Elettrico

Tergicristallo integrato

- IN 230Vac, consumo 7W max
- IN 24Vac, consumo 7W max

Riscaldamento Ton 15°C+/-3°C Toff 22°C+/-3°C

- IN 115/230Vac, triplo riscaldamento assistito da ventole, consumo 150W
- IN 24Vac, triplo riscaldamento assistito da ventole, consumo 80W

Alimentatore per telecamera

- IN 100-240Vac - OUT 12Vdc, 50/60 Hz, 1A

9.4 Ambiente

Interno / Esterno

Temperatura d'esercizio con riscaldamento: -20°C / +50°C

9.5 Conformità

IP66/IP67 in accordo con EN 60529 con pressa cavi

10 Disegni tecnici

 I valori espressi sono in millimetri.

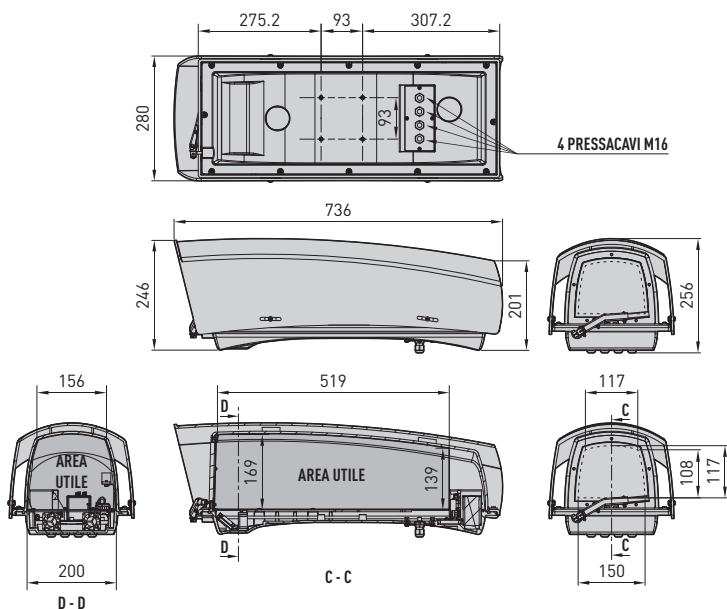


Fig. 26 HGV



VIDEOTECH S.p.A.
www.videotec.com
Printed in Italy
MNVCHGV_0850_IT

HEADQUARTERS ITALY

VIDEOTECH S.p.A.
Tel. +39 0445 697411
Fax +39 0445 697414
info@videotec.com

FRANCE

VIDEOTECH FRANCE S.A.R.L.
Tel. +33 2 32094900
Fax +33 2 32094901
info@videotec-france.com

UK / IRELAND

VIDEOTECH UK SALES
Tel. +44 0113 815 0047
Fax +44 0113 815 0047
uksales@videotec.com

U.S.A. / CANADA

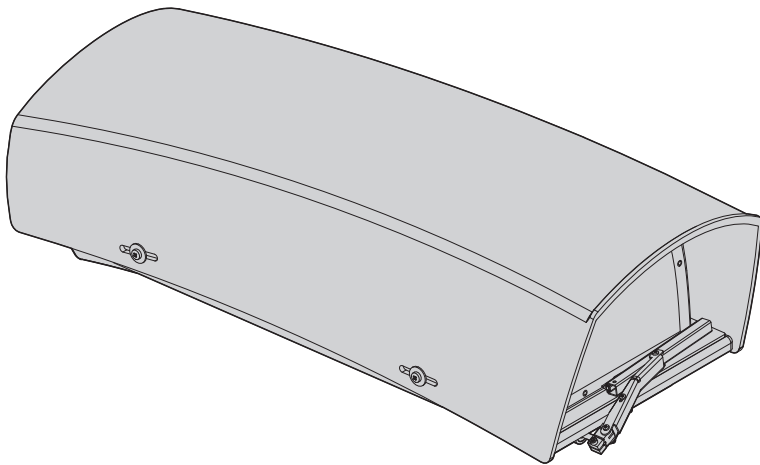
VIDEOTECH SECURITY, Inc.
Tel. +1 973 5950788
Fax +1 425 6484289
usasales@videotec.com

ASIA PACIFIC

VIDEOTECH (HK) Ltd
Tel. +852 2333 0601
Fax +852 2311 0026
info@videotec.com.hk

HGV

Le caisson le plus grand de la gamme



Sommaire

1 À propos de ce mode d'emploi	3
1.1 Conventions typographiques	3
2 Notes sur le copyright et informations sur les marques de commerce	3
3 Normes de sécurité.....	3
4 Identification	4
4.1 Description et désignation du produit.....	4
4.2 Marquage du produit.....	4
5 Préparation du produit en vue de l'utilisation.....	4
5.1 Contenu et déballage	4
5.2 Élimination sans danger des matériaux d'emballage	4
6 Assemblage et installation	5
6.1 Assemblage	5
6.2 Installation	5
6.2.1 Ouverture du caisson.....	5
6.2.1.1 Fixation de l'optique et de la caméra à la glissière interne.....	5
6.2.1.2 Positionnement de l'entretoise H20 dans la glissière interne	6
6.2.2 Positionnement de la glissière interne.....	6
6.2.3 Remplacement de la plaque presse-câbles avec la plaque inox fournie.....	6
6.2.4 Fixation du balai essuie-glace	7
6.2.5 Fixation de la platine avec buse.....	7
6.2.6 Fermeture du caisson	7
6.3 Câblages	8
6.3.1 Système d'essuie-glace	8
6.3.2 Connexion des bornes d'alimentation en entrée et en sortie	8
6.3.3 Dispositif de signalisation anti-ouverture.....	8
7 Entretien et nettoyage	9
7.1 Entretien	9
7.1.1 Remplacement du verre en cas de rupture	9
7.2 Nettoyage.....	9
7.2.1 Entretien de la vitre et des parties en plastique (PC)	9
8 Élimination des déchets.....	9
9 Données techniques.....	9
9.1 Généralités	9
9.2 Mécanique	9
9.3 Électrique	10
9.4 Environnement	10
9.5 En conformité avec	10
10 Dessins techniques.....	10

1 À propos de ce mode d'emploi

Avant d'installer et d'utiliser cet appareil, veuillez lire attentivement ce mode d'emploi. Conservez-le à portée de main pour pouvoir vous y reporter en cas de besoin.

1.1 Conventions typographiques



DANGER!

Risque élevé.

Risque de choc électrique. Sauf indication contraire, sectionner l'alimentation avant de procéder à toute opération.



ATTENTION!

Risque moyen.

Opération extrêmement importante en vue d'un fonctionnement correct du système; lire avec attention les opérations indiquées et s'y conformer rigoureusement.



REMARQUE

Description des caractéristiques du système.

Il est conseillé de procéder à une lecture attentive pour une meilleure compréhension des phases suivantes.

2 Notes sur le copyright et informations sur les marques de commerce

Les noms de produit ou de sociétés cités sont des marques de commerce ou des marques de commerce enregistrées.

3 Normes de sécurité



Le producteur décline toute responsabilité pour les dommages éventuels dus à une utilisation non appropriée des appareils mentionnés dans ce manuel. On réserve en outre le droit d'en modifier le contenu sans préavis. La documentation contenue dans ce manuel a été rassemblée et vérifiée avec le plus grand soin, cependant, le producteur ne peut pas s'assumer aucune responsabilité dérivante de l'emploi de celle là. La même chose vaut pour chaque personne ou société impliquées dans la création et la production de ce manuel.

- L'installation et l'entretien du dispositif doivent être exclusivement effectués par un personnel technique qualifié.
- Sectionner l'alimentation électrique avant toute intervention technique sur l'appareil.
- Ne pas utiliser de câbles d'alimentation usés ou endommagés.
- Ne procéder sous aucun prétexte à des modifications ou des connexions non prévues dans ce manuel: l'utilisation d'appareils non adéquats peut comporter des dangers graves pour la sécurité du personnel et de l'installation.
- Utiliser uniquement des pièces de rechange d'origine. Les pièces non d'origine peuvent être source d'incendies, de choc électrique ou autres.
- Avant de procéder à l'installation, contrôler que le matériel fourni correspond à la commande et examiner les étiquettes de marquage ("*4.2 Marquage du produit*", page 4).

4 Identification

4.1 Description et désignation du produit

Caisson grandes dimensions projeté pour être intégré aux plus grands zoom cctv lensens disponibles dans le commerce, comme par exemple PENTAX 55x, FUJINON 60x, PENTAX 18x, COMPUTAR 30x, COMPUTAR 50x, etc., ainsi qu'à de nombreux autres modèles.

Son étanchéité est assurée par les garnitures en caoutchouc néoprène, par 4 presse-câbles M16 avec garnitures et par des vis en acier inox assurant une fermeture fiable.

Comprend une base en fusion d'aluminium – coquille peinte époxy-polyester, et une structure supérieure avec toit pare-soleil intégré en matériau plastique ABS méthacrylate coloris RAL9002.

Un essuie-glace est intégré à la structure du caisson et n'interfère pas avec le champ visuel de l'optique/caméra installée.

La température interne idéale est assurée par un chauffage grande puissance et des ventilateurs de service permettant une recirculation constante de l'air.

Le montage et le réglage des optiques/caméras sont simplifiés grâce à la possibilité d'extraire la structure supérieure à auvent intégré et de la pendre au câble d'ancrage très solide.

Le caisson HGV représente la solution parfaite pour les applications extérieures comme le contrôle anti-incendie, la sécurité publique des ports, côtes et aéroports, ainsi que pour la surveillance de l'environnement et des frontières.

4.2 Marquage du produit

Voir l'étiquette sur l'extérieur de l'emballage.

5 Préparation du produit en vue de l'utilisation



Toute modification non approuvée expressément par le fabricant entraînera l'annulation de la garantie.

5.1 Contenu et déballage

Lors de la livraison du produit, vérifier que l'emballage est en bon état et l'absence de tout signe évident de chute ou d'abrasion.

En cas de dommages évidents, contacter immédiatement le fournisseur.

Conserver l'emballage en cas de nécessité d'expédition du produit pour réparation.

Contrôler que le contenu correspond à la liste matériel indiquée ci-dessous:

- Caisson
- Équipement pour caisson :
 - Balai essuie-glace
 - Plaque avec buse pour essuie-glace
 - Plaque en acier inox fermée pour presse-câbles/connecteurs
 - Étriers fixation optiques et caméras
 - Rondelles et vis en inox
 - Entretoises en nylon pour caméra et optique
 - Entretoise en tôle galvanisée hauteur 20 mm
 - Rondelles en nylon
 - Vis 1/4" pour optique et caméra
 - Clé six pans
 - Sachet sels de déshydratation
- Manuel d'instructions

5.2 Élimination sans danger des matériaux d'emballage

Le matériel d'emballage est entièrement composé de matériaux recyclables. Le technicien chargé de l'installation est tenu de l'éliminer conformément aux dispositions en matière de collecte sélective et selon les normes en vigueur dans le pays d'utilisation.

En cas de dysfonctionnement et de retour de matériel, il est conseillé d'utiliser l'emballage original pour le transport.

6 Assemblage et installation



L'assemblage et l'installation doivent exclusivement être effectués par un personnel spécialisé.

6.1 Assemblage

Fixer le toit pare-soleil au caisson au moyen des 4 vis et des 4 rondelles fournies.

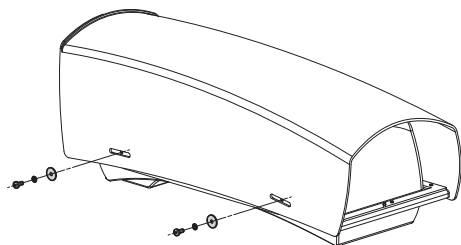


Fig. 01

6.2 Installation

Fixer le caisson à l'étrier au moyen des 4 vis fournies.

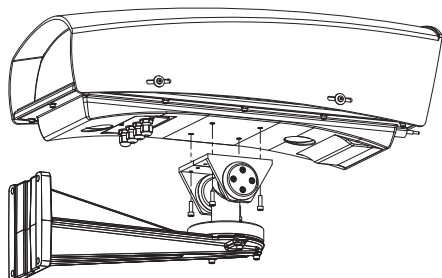


Fig. 02

6.2.1 Ouverture du caisson

Desserrer les 12 vis captives.

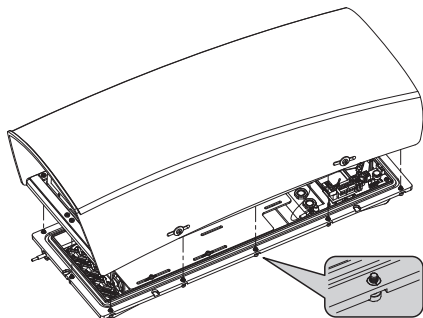


Fig. 03

Soulever la structure supérieure avec toit pare-soleil intégré et la pendre au robuste câble d'ancrage.

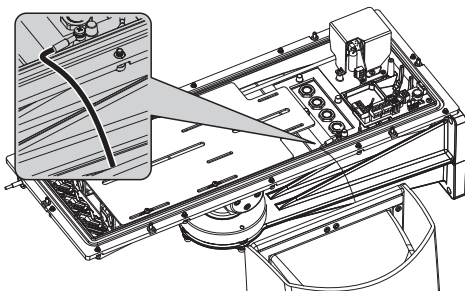


Fig. 04

6.2.1.1 Fixation de l'optique et de la caméra à la glissière interne

Fixer la caméra (02) à l'optique (01).

Fixer l'étrier en aluminium en L de la longueur sélectionnée (03) à la caméra au moyen de la rondelle en nylon (04) et de la vis de 1/4" (05).

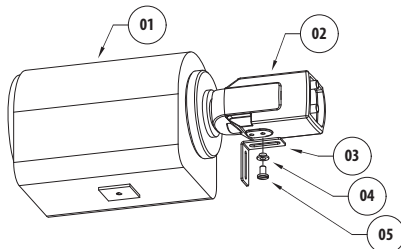


Fig. 05

Positionner l'optique sur la glissière (02) en intercalant l'entretoise en plastique (01) et fixer le tout avec la rondelle en nylon (03) et la vis de 1/4" (04).

Si nécessaire, utiliser les entretoises supplémentaires pour positionner correctement la caméra et l'optique

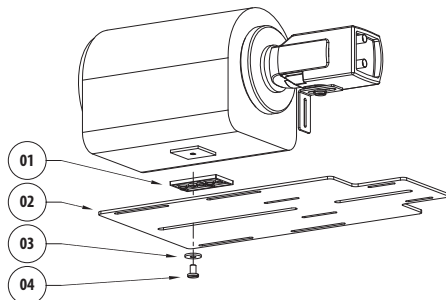


Fig. 06

Fixer la plaque en aluminium (01) sur la glissière au moyen des 2 vis M4 et de leurs rondelles (02).

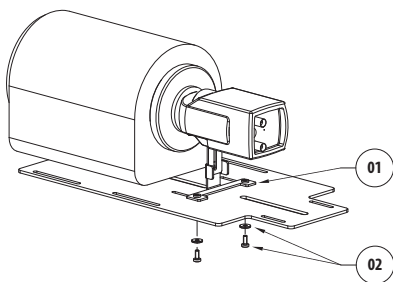


Fig. 07

Fixer ensuite les deux platines avec la vis M4 (01).

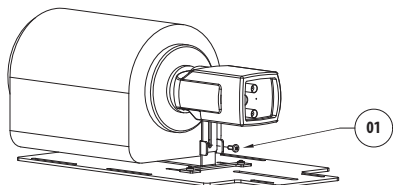


Fig. 08

6.2.1.2 Positionnement de l'entretoise H20 dans la glissière interne

Effectuer les mêmes opérations indiquées dans Fig. 05, page 5.

Il est possible de fixer une entretoise H20 (02) au système optique en intercalant une entretoise en plastique (01) de l'épaisseur requise avec rondelle et vis (03).

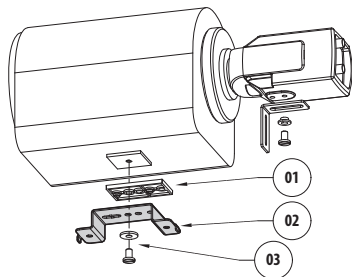


Fig. 09

Positionner l'optique avec l'entretoise (01) dans la glissière interne (02) et fixer l'entretoise avec les rondelles (03) et les vis fournies.

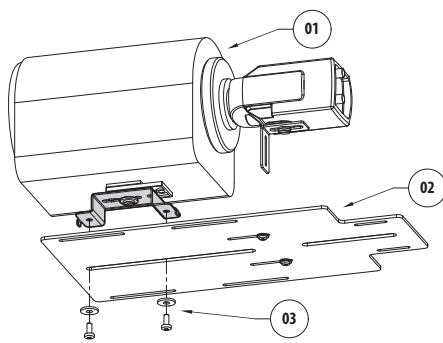


Fig. 10

Procéder avec les opérations comme dans Fig. 07, page 6 et Fig. 08, page 6.

6.2.2 Positionnement de la glissière interne

Faire glisser la glissière interne avec l'optique et la caméra déjà fixées en position et la fixer avec les quatre rondelles et les vis fournies.

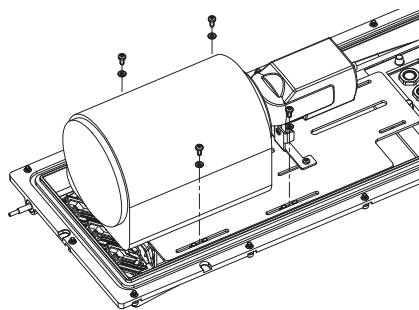


Fig. 11

6.2.3 Remplacement de la plaque presse-câbles avec la plaque inox fournie



Pour maintenir le degré de protection IP66 du caisson, le connecteur ou le presse-câble introduits dans la plaque doivent présenter le même degré de protection

Percer la plaque fournie selon les nécessités.

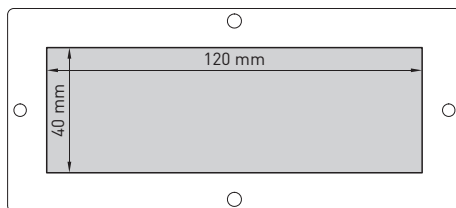


Fig. 12 Surface utile de perçage.

Remplacer la plaque standard en desserrant les 4 vis de fixation.

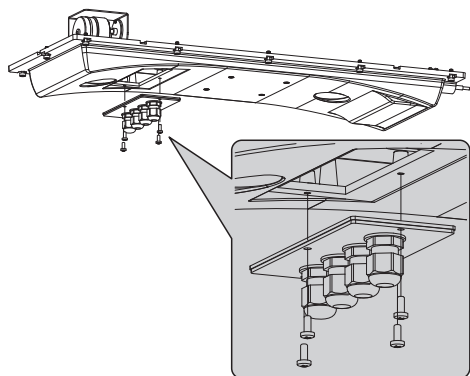


Fig. 13

Positionner la garniture en EPDM entre la nouvelle plaque et le caisson avant de la fixer au caisson.

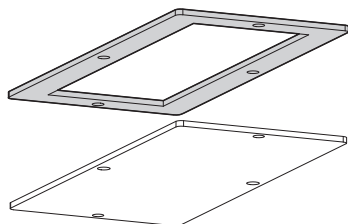


Fig. 14

6.2.4 Fixation du balai essuie-glace

Insérer le balai dans l'arbre de l'essuie-glace.

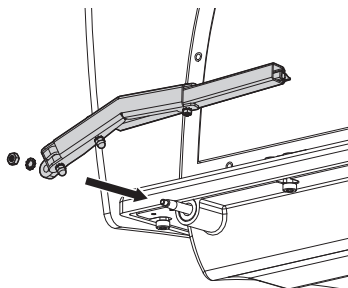


Fig. 15

Placer le balai en position de repos.

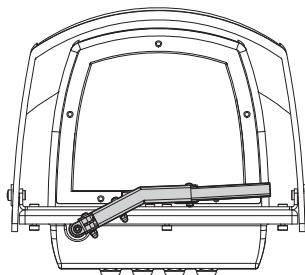


Fig. 16

! Un réglage correct doit permettre au balai de revenir en position de repos en entrant en contact avec la plaque de la structure.

Fixer l'ensemble avec rondelle et écrou.

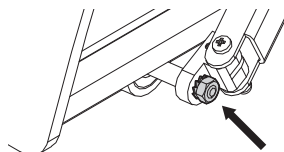


Fig. 17

6.2.5 Fixation de la platine avec buse

Fixer la plaque avec la buse déjà assemblée à la structure inférieure au moyen des deux vis fournies.

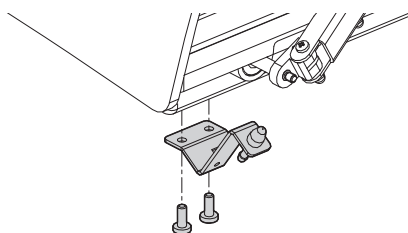


Fig. 18

i Pour calibrer le jet orienter la buse vers la vitre du caisson.

Fixer l'écrou pour fermer la buse dans sa position.

6.2.6 Fermeture du caisson

Fermer le caisson en repétant au contraire les opérations ("6.2.1 Ouverture du caisson", page 5). Utiliser un couple de serrage de 1,6Nm.

6.3 Câblages

6.3.1 Système d'essuie-glace

Cette partie décrit le mode de connexion des caissons équipés de système essuie-glace.

Pour ces versions, il n'est pas nécessaire d'installer de composants à l'intérieur, car elles sont fournies équipées de tout le nécessaire en fonction du modèle requis.

- Connecter l'extrémité S de la borne J1 à la phase de la tension de réseau.
- Connecter l'extrémité C de la borne J1 au neutre de la tension de réseau.
- Connecter l'extrémité P de la borne J1 à un bouton, relié à son tour à la phase de la tension de réseau et permettant d'activer le système essuie-glace en le maintenant enfoncé. Le relâchement du bouton entraînera le retour du balai de l'essuie-glace en position de repos.

En cas de récepteur avec fonction de commande wiper, connecter les bornes SW, PER et COM aux extrémités S, P et C de la borne J1.

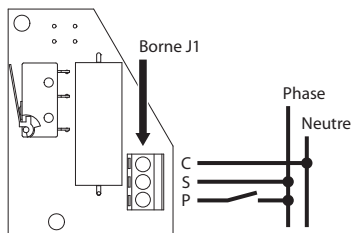


Fig. 19

⚠ Dans la version alimentée à 230Vac, insérer sur la ligne d'alimentation, en amont de l'appareil, un interrupteur général unipolaire 10 (distance ouverture des contacts $d > 3$ mm). Cet interrupteur doit être utilisé comme moyen de séparation de l'alimentation avant d'effectuer toute opération d'entretien ou d'ouverture de l'appareil.



Dans la version alimentée à 230Vac, prévoir un collier entre les 3 conducteurs pour éviter tout contact accidentel entre le fil de phase et la partie conductrice et accessible.

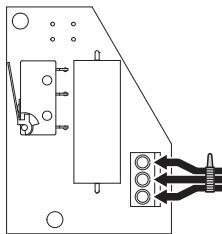


Fig. 20

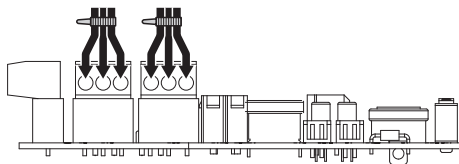


Fig. 21

6.3.2 Connexion des bornes d'alimentation en entrée et en sortie

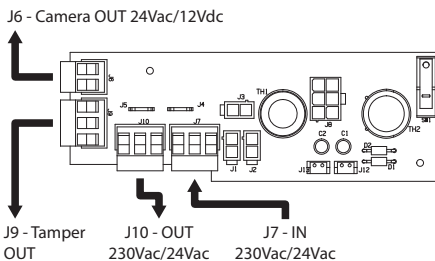


Fig. 22

6.3.3 Dispositif de signalisation anti-ouverture

Pour la connexion de l'interrupteur anti-ouverture, utiliser la borne J9 en Fig. 01, page 5, en tenant compte des indications suivantes:

CONNEXION INTERRUPTEUR ANTI-OUVERTURE	
COM	Interrupteur commun
NC	Borne normalement fermée
NO	Borne normalement ouverte

Tab. 01



Tension de fonctionnement interrupteur inférieure à 30Vac ou 60Vdc.

7 Entretien et nettoyage

7.1 Entretien

7.1.1 Remplacement du verre en cas de rupture

Desserrer les 5 écrous

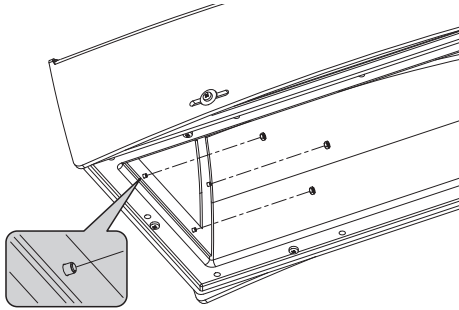


Fig. 23

Retirer la plaque externe du verre de la plaque interne.

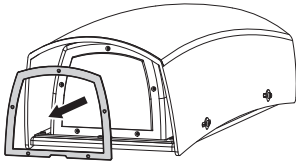


Fig. 24

Remplacer la partie endommagée par la tôle avec le verre collé.

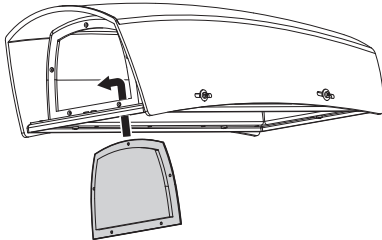


Fig. 25

Remonter le tout en sens contraire et remettre les 5 écrous en place utilisant un couple de serrage de 1,6Nm.

7.2 Nettoyage

7.2.1 Entretien de la vitre et des parties en plastique (PC)

Nous conseillons l'emploi, avec un chiffon souple, de savons neutres dilués avec de l'eau ou bien de produits spécifiques pour le nettoyage des vitres de lunettes.



On doit éviter: alcool éthylique, solvants, hydrocarbures hydro-génés, acides forts et alcali. L'emploi de ce type de produits abîme d'une façon irréparable la surface traitée.

8 Élimination des déchets



Ce symbole et le système de recyclage ne sont appliqués que dans les pays UE et non dans les autres pays du monde.

Votre produit est conçu et fabriqué avec des matériaux et des composants de qualité supérieure qui peuvent être recyclés et réutilisés.

Ce symbole signifie que les équipements électriques et électroniques en fin de vie doivent être éliminés séparément des ordures ménagères.

Nous vous prions donc de confier cet équipement à votre Centre local de collecte ou Recyclage.

Dans l'Union Européenne, il existe des systèmes sélectifs de collecte pour les produits électriques et électroniques usagés.

9 Données techniques

9.1 Généralités

Base en aluminium, vernissage avec poudres époxypolyester, couleur RAL9002

Corps supérieur et double-toit en ABS

Visserie extérieure en acier inox

Livré avec manuel d'instructions, sachet deshydratant, accessoires pour l'installation de la caméra et de l'objectif

9.2 Mécanique

Plaque avec 4 presse-étoupes M16 (plaque en acier inox pour perçage personnalisé en dotation)

Fenêtre en verre: voir dessin

Surface intérieure utile: voir dessin

Poids Net: 9.2kg

9.3 Électrique

Essuie-glace intégré

- IN 230Vac, consommation 7W max
- IN 24Vac, consommation 7W max

Chauffage Ton 15°C+/-3°C Toff 22°C+/-3°C

- IN 115/230Vac, triple chauffage avec ventilateur, consommation 150W
- IN 24Vac, triple chauffage avec ventilateur, consommation 80W

Alimentation pour caméra

- IN 100-240Vac - OUT 12Vdc, 50/60 Hz, 1A

9.4 Environnement

Intérieur / Extérieur

Température d'exercice avec chauffage: -20°C / + 50°C

9.5 En conformité avec

IP66/IP67 selon EN 60529 avec presse-étoupes

10 Dessins techniques

 Les valeurs sont entendues en millimètres.

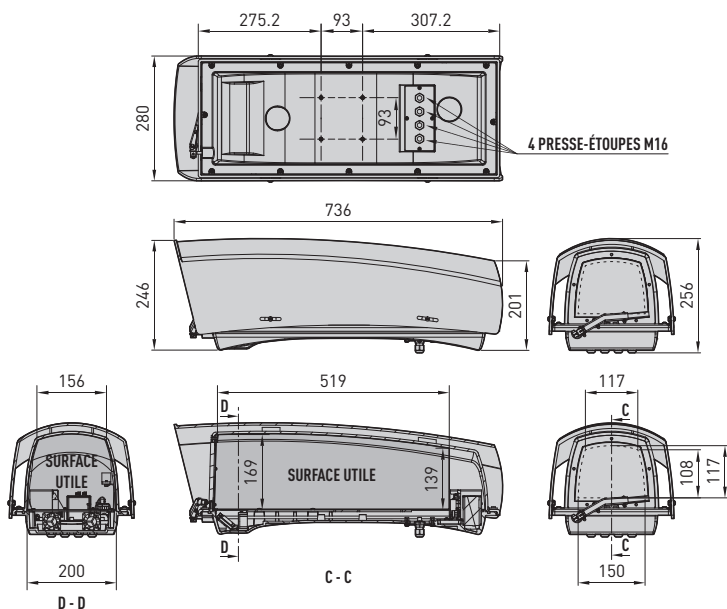


Fig. 26 HGV



VIDEOTECH S.p.A.
www.videotec.com
Printed in Italy
MNVCHGV_0850_FR

HEADQUARTERS ITALY

VIDEOTECH S.p.A.
Tel. +39 0445 697411
Fax +39 0445 697414
info@videotec.com

FRANCE

VIDEOTECH FRANCE S.A.R.L.
Tel. +33 2 32094900
Fax +33 2 32094901
info@videotec-france.com

UK / IRELAND

VIDEOTECH UK SALES
Tel. +44 0113 815 0047
Fax +44 0113 815 0047
uksales@videotec.com

U.S.A. / CANADA

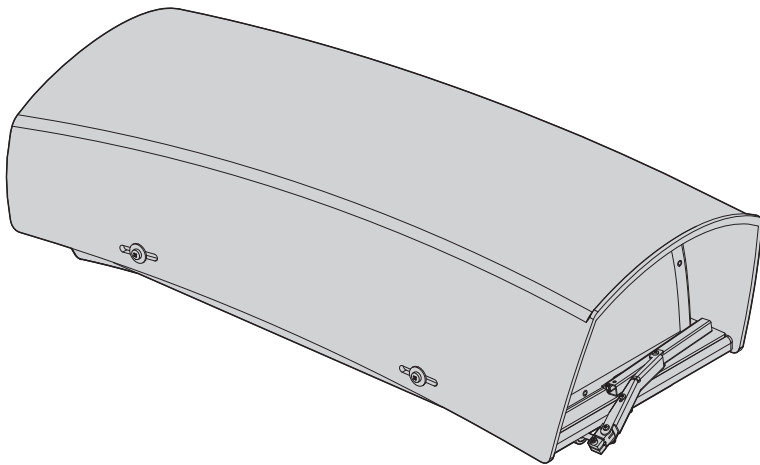
VIDEOTECH SECURITY, Inc.
Tel. +1 973 5950788
Fax +1 425 6484289
usasales@videotec.com

ASIA PACIFIC

VIDEOTECH (HK) Ltd
Tel. +852 2333 0601
Fax +852 2311 0026
info@videotec.com.hk

HGV

Das grösste Gehäuse des Lieferprogramms



Inhaltsverzeichnis

1 Allgemeines	3
1.1 Schreibweisen	3
2 Anmerkungen zum Copyright und Informationen zu den Handelsmarken	3
3 Sichereitsnormen	3
4 Identifizierung	4
4.1 Beschreibung und Bezeichnung des Produktes	4
4.2 Kennzeichnung des Produkts	4
5 Vorbereitung des Produktes auf den Gebrauch	4
5.1 Inhalt und Entfernen der Verpackung	4
5.2 Sichere Entsorgung der Verpackungsmaterialien	4
6 Zusammenbau Und Installation	5
6.1 Zusammenbau	5
6.2 Installation	5
6.2.1 Öffnung des Gehäuses.....	5
6.2.1.1 Befestigung der Optik und der Kamera am Innenschlitten	5
6.2.1.2 Positionierung des Abstandhalters H20 im Innenschlitten	6
6.2.2 Positionierung des Innenschlittens	6
6.2.3 Ersetzung der Kabelhalterplatte durch die gelieferte Edelstahlplatte	6
6.2.4 Befestigung des Wischerblattes.....	7
6.2.5 Befestigung des Plättchens mit Düse	7
6.2.6 Schliessung des Gehäuses.....	7
6.3 Verkabelungen	8
6.3.1 Scheibenwischanlage	8
6.3.2 Anschluss der Speiseklemmen am Ein- und Ausgang	8
6.3.3 Signalvorrichtung zum Schutz vor Öffnung	8
7 Wartung und Reinigung	9
7.1 Wartung	9
7.1.1 Ersetzung der Scheibe bei Glasbruch	9
7.2 Reinigung.....	9
7.2.1 Reinigung des Glases und der Kunststoffteile (PC).....	9
8 Müllentsorgungsstellen	9
9 Technische Daten	9
9.1 Allgemeines.....	9
9.2 Mechanik	9
9.3 Elektrik.....	10
9.4 Umgebung.....	10
9.5 Zertifizierungen	10
10 Technische Zeichnungen	10

1 Allgemeines

Lesen Sie bitte vor dem Installieren und dem Verwenden dieses Gerätes die Bedienungsanleitung sorgfältig durch. Bewahren Sie sie zum späteren Nachschlagen auf.

1.1 Schreibweisen



GEFAHR!

Erhöhte Gefährdung. Stromschlaggefahr; falls nichts anderes angegeben, unterbrechen Sie die Stromversorgung, bevor die beschriebenen Arbeiten durchgeführt werden.



ACHTUNG!

Mittlere Gefährdung. Der genannte Vorgang hat große Bedeutung für den einwandfreien Betrieb des Systems: es wird gebeten, sich die Verfahrensweise anzulesen und zu befolgen.



ANMERKUNG

Beschreibung der Systemmerkmale. Eine sorgfältige Lektüre wird empfohlen, um das Verständnis der folgenden Phasen zu gewährleisten.

2 Anmerkungen zum Copyright und Informationen zu den Handelsmarken

Die angeführten Produkt- oder Firmennamen sind Handelsmarken oder eingetragene Handelsmarken.

3 Sicherheitsnormen



Der Hersteller lehnt jede Haftung für eventuelle Schäden ab, die aufgrund unsachgemäßer Anwendung der in diesem Handbuch erwähnten Geräte entstanden ist. Ferner behält er sich das Recht vor, den Inhalt ohne Vorkündigung abzuändern. Die Dokumentation in diesem Handbuch wurde sorgfältig ausgeführt und überprüft, dennoch kann der Hersteller keine Haftung für die Verwendung übernehmen. Dasselbe gilt für jede Person oder Gesellschaft, die bei der Schaffung oder Produktion von diesem Handbuch miteinbezogen ist.

- Die Installation und Wartung der Vorrichtung ist technischen Fachleuten vorbehalten.
- Vor technischen Eingriffen am Gerät muss die Stromversorgung unterbrochen werden.
- Es dürfen keine Versorgungskabel mit Verschleiß- oder Alterungsspuren verwendet werden.
- Unter keinen Umständen dürfen Veränderungen oder Anschlüsse vorgenommen werden, die in diesem Handbuch nicht genannt sind: Der Gebrauch ungeeigneten Geräts kann die Sicherheit des Personals und der Anlage schwer gefährden.
- Es dürfen nur Original-Ersatzteile verwendet werden. Nicht originale Ersatzteile können zu Bränden, elektrischen Entladungen oder anderen Gefahren führen.
- Vor der Installation ist anhand des Kennzeichnungsschildes nachzuprüfen, ob das gelieferte Material die gewünschten Eigenschaften aufweist ("4.2 Kennzeichnung des Produkts", page 4).

4 Identifizierung

4.1 Beschreibung und Bezeichnung des Produktes

Überdimensioniertes Gehäuse für die Aufnahme der größten im Handel erhältlichen "Zoom cctv lenses"; etwa PENTAX 55x, FUJINON 60x, PENTAX 18x, COMPUTAR 30x, COMPUTAR 50x ... und viele andere.

Dichtungen aus Neoprengummi, 4 Kabelhalter M16 samt Dichtungen und Schrauben aus rostfreiem Stahl schließen das Gehäuse hermetisch ab.

Es besteht aus einer im Kokillengussverfahren hergestellten und mit Epoxydpolyester pulverbeschichteten Aluminiumbasis sowie aus dem oberen Korpus mit integrierter Haube aus dem Kunststoff ABS PMMA mit der Farbe RAL9002.

In das Gehäuse ist ein Scheibenwischer integriert, der das Sichtfeld der installierten Optik / Kamera nicht beeinträchtigt.

Die ideale Innentemperatur wird von einer besonders leistungsstarken Heizung und Hilfsventilatoren sichergestellt, welche die Luft laufend umwälzen.

Die Montage und Einstellung der Optiken / Kameras werden durch die Möglichkeit erleichtert, den oberen Korpus mit der integrierten Haube zu entnehmen und an dem robusten Verankerungskabel wegzuhängen.

Das Gehäuse HGV ist ideal für Anwendungen im Außenbereich, beispielsweise die Brandüberwachung, Überwachungsaufgaben zur Sicherstellung der öffentlichen Sicherheit, zur Überwachung von Häfen, Küsten, Flughäfen, der Umwelt und von Grenzlinien.

4.2 Kennzeichnung des Produkts

Siehe das Schild außen auf der Verpackung.

5 Vorbereitung des Produktes auf den Gebrauch



Jede vom Hersteller nicht ausdrücklich genehmigte Veränderung führt zum Verfall der Gewährleistungsrechte.

5.1 Inhalt und Entfernen der Verpackung

Bei der Lieferung des Produktes ist zu prüfen, ob die Verpackung intakt ist oder offensichtliche Anzeichen von Stürzen oder Abrieb aufweist.

Bei offensichtlichen Schadensspuren an der Verpackung muss umgehend der Lieferant verständigt werden.

Bewahren Sie die Verpackung auf für den Fall, dass das Produkt zur Reparatur eingeschendet werden muss.

Prüfen Sie, ob der Inhalt mit der nachstehenden Materialliste übereinstimmt:

- Gehäuse
- Grundzubehör des Gehäuses:
 - Wischerblatt
 - Platte mit Scheibenwischerdüse
 - Ungelochte Edelstahlplatte für Kabelhalter / Steckverbinder
 - Befestigungsbügel für Optiken und Kameras
 - Unterlegscheiben und Schrauben aus Edelstahl
 - Abstandhalter aus Nylon für Kamera und Optik
 - Abstandhalter aus verzinktem Blech, Höhe 20mm
 - Unterlegscheiben aus Nylon
 - Schrauben 1/4" für Optik und Kamera
 - Inbusschlüssel
 - Beutelchen mit Entfeuchtungssalz
- Bedienungsanleitungen

5.2 Sichere Entsorgung der Verpackungsmaterialien

Die Verpackungsmaterialien sind vollständig wiederverwertbar. Es ist Sache des Installationstechnikers, sie getrennt, auf jeden Fall aber nach den geltenden Vorschriften des Anwendungslandes zu entsorgen.

Es wird nochmals empfohlen, mit Fehlfunktionen behaftetes Material in der Originalverpackung zurückzusenden.

6 Zusammenbau Und Installation



Zusammenbau und Installation sind Fachleuten vorbehalten.

6.1 Zusammenbau

Das Sonnenschutzdach mit den 4 Schrauben und 4 Unterlegscheiben am Gehäuse befestigen.

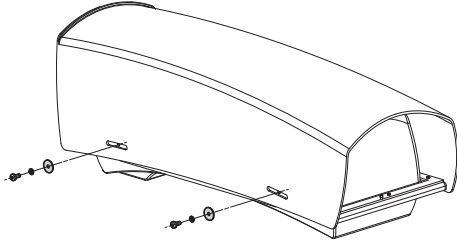


Fig. 01

6.2 Installation

Das Gehäuse mit den 4 Schrauben aus dem Lieferumfang am Bügel fixieren.

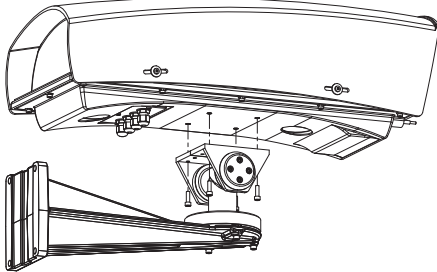


Fig. 02

6.2.1 Öffnung des Gehäuses

Die 12 unverlierbaren Schrauben ausdrehen.

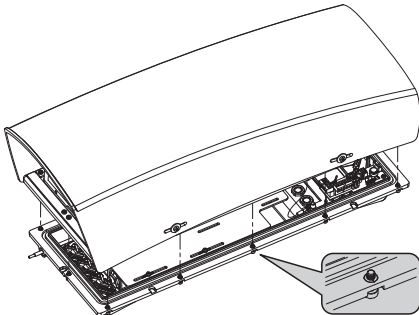


Fig. 03

Den oberen Korpus mit der integrierten Haube anheben und an das robuste Verankerungskabel hängen.

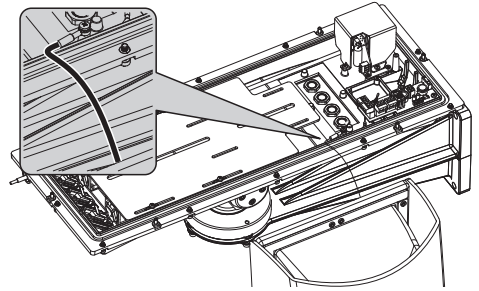


Fig. 04

6.2.1.1 Befestigung der Optik und der Kamera am Innenschlitten

Die Kamera (02) mit der Optik (01) zusammenstecken.

Den kleinen L-Bügel aus Aluminium (03) (in der vorgewählten Länge) mit der Unterlegscheibe aus Nylon (04) und der Schraube 1/4" (05) an der Kamera befestigen.

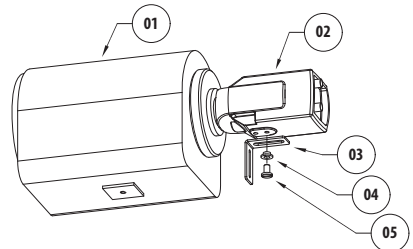


Fig. 05

Die Optik auf dem Schlitten (02) positionieren. Dabei den Abstandhalter aus Plastik zwischenlegen (01). Das Ganze mit der Unterlegscheibe aus Nylon (03) und der Schraube 1/4" (04) fixieren.

Falls erforderlich, zur korrekten Positionierung von Kamera und Optik die zusätzlich vorhandenen Abstandhalter benutzen.

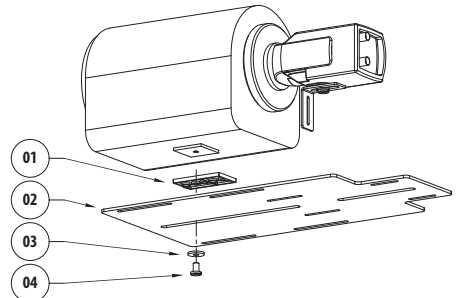


Fig. 06

Die Aluminiumplatte (01) mit den 2 Schrauben M4 und den zugehörigen Unterlegscheiben (02) auf dem Schlitten befestigen.

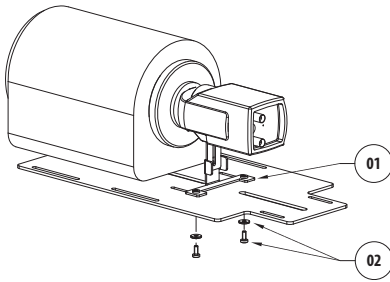


Fig. 07

Anschließend die beiden Plättchen mit der Schraube M4 fixieren, wie in der Abbildung gezeigt (01).

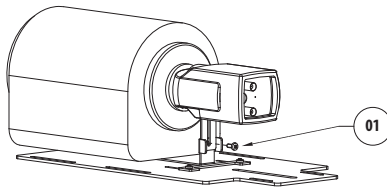


Fig. 08

6.2.1.2 Positionierung des Abstandhalters H20 im Innenschlitten

Führen Sie die in Fig. 05, Seite 5 angezeigten Bedingungen aus.

Es ist möglich einen H20 Abstandhalter (02) an der Optik zu befestigen. Legen Sie einen Abstandhalter aus Plastik (01) in der gewünschten Dicke mit Unterlegscheibe und Schraube (03) dazwischen.

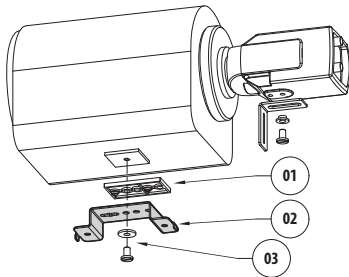


Fig. 09

Die Optik mit dem Abstandhalter (01) im Innenschlitten (02) positionieren und den Abstandhalter mit den Unterlegscheiben und Schrauben aus dem Lieferumfang (03) fixieren.

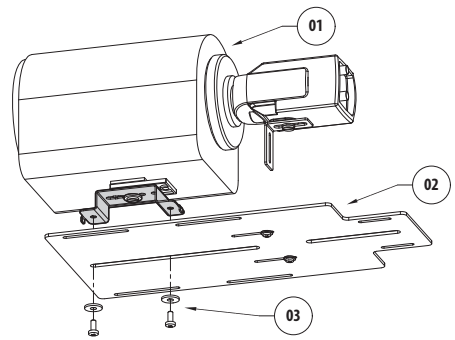


Fig. 10

Führen Sie die Bedingungen wie in Fig. 07, Seite 6 und Fig. 08, Seite 6 weiter aus.

6.2.2 Positionierung des Innenschlittens

Den Innenschlitten mit der Optik und der Kamera, beides bereits befestigt, in die gewünschte Position gleiten lassen und dort mit den vier Unterlegscheiben und Schrauben aus dem Lieferumfang fixieren.

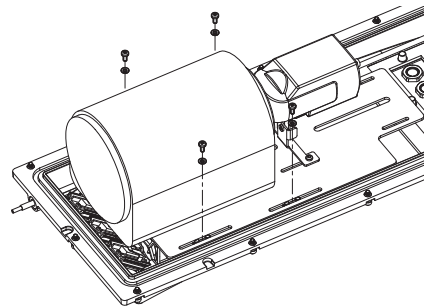


Fig. 11

6.2.3 Ersetzung der Kabelhalterplatte durch die gelieferte Edelstahlplatte



Damit die Schutzart IP66 des Gehäuses erhalten bleibt, muss auch der Steckverbinder oder Kabelhalter in der Platte diese Schutzart aufweisen.

Die mitgelieferte Platte nach Bedarf bohren.

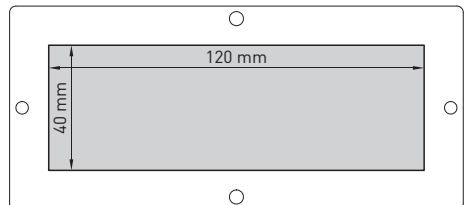


Fig. 12 Bohrungs- Nutzfläche.

Die Standardplatte ersetzen, indem man die 4 Befestigungsschrauben ausdreht.

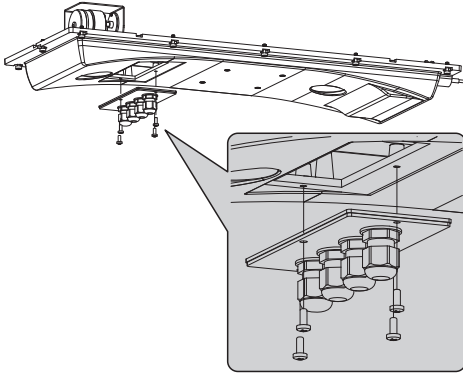


Fig. 13

Die Dichtung aus EPDM zwischen der neuen Platte und dem Gehäuse positionieren, bevor Ersterer endgültig am Gehäuse fixiert wird.

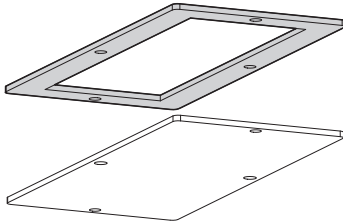


Fig. 14

6.2.4 Befestigung des Wischerblattes

Das Wischerblatt auf die Welle des Scheibenwischers setzen.

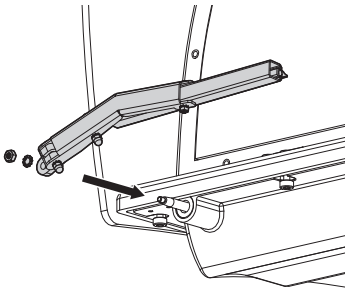


Fig. 15

Das Wischerblatt in Ruhestellung bringen.

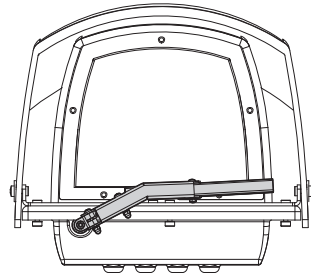


Fig. 16



Das Wischerblatt ist dann richtig eingestellt, wenn das Blatt in die Ruhestellung zurückkehren kann und dabei an der Korpusplatte anschlägt.

Alles zusammen mit der Unterlegscheibe und der Mutter befestigen.

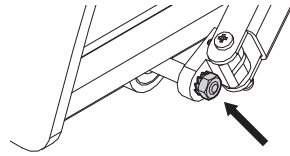


Fig. 17

6.2.5 Befestigung des Plättchens mit Düse

Die Düsenplatte im zusammengesetzten Zustand mit den beiden beigegefügt Schrauben am unteren Korpus befestigen.

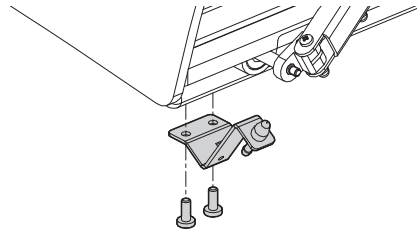


Fig. 18



Zur Kalibrierung des Strahls die Düse auf die Gehäusescheibe richten.

Schrauben die Mutter ein, um die Düse in die Stellung zu befestigen.

6.2.6 Schliessung des Gehäuses

Machen Sie das Gehäuse mit dem entgegengesetzten Bedienungsverfahren zu ("6.2.1 Öffnung des Gehäuses", Seite 5). Zur Fixierung ein Anzugsdrehmoment von 1,6Nm verwenden.

6.3 Verkabelungen

6.3.1 Scheibenwischanlage

Dieser Abschnitt beschreibt, wie Gehäuse mit Scheibenwischer angeschlossen werden.

Bei diesen Ausführungen braucht innen keine Komponente angeschlossen werden, weil sie im Lieferzustand je nach Modell bereits mit dem Nötigen ausgestattet sind.

Das Anschlussstück S von Klemme J1 an die Netzspannungsphase anschließen.

Das Anschlussstück C von Klemme J1 an den Nullleiter der Netzspannungsversorgung anschließen.

Das Anschlussstück P von Klemme J1 an einen Taster anschließen, der seinerseits mit der Netzspannungsphase verbunden ist und bei fortgesetztem Drücken die Betätigung des Scheibenwischers ermöglicht. Lässt man den Taster los, bewegt sich das Wischerblatt wieder in die Ruhestellung.

Falls ein Empfänger mit Wischerbefehlsfunktion eingesetzt wird, müssen die Klemmen SW, PER und COM an die Anschlüsse S, P und C von Klemme J1 gelegt werden.

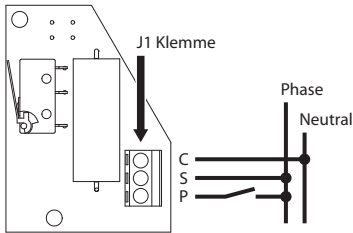


Fig. 19

In der Ausführung mit 230Vac Versorgungsspannung muss dem Gerät auf der Speiseleitung ein allpoliger Hauptschalter 1 0 (Kontaktabstand $d > 3 \text{ mm}$) vorgeschaltet werden. Mit diesem Schalter ist das Gerät vor Wartungen oder dem Öffnen von der Stromversorgung zu trennen.



In der Ausführung mit 230Vac Versorgungsspannung muss zwischen den 3 Leitern eine Schelle angebracht werden. So wird das Risiko versehentlichen Kontaktes zwischen dem Phasendraht und dem zugänglichen Teil des Leiters ausgeschaltet.

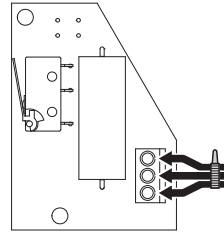


Fig. 20

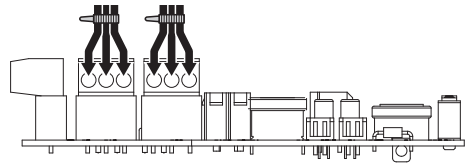


Fig. 21

6.3.2 Anschluss der Speiseklemmen am Ein- und Ausgang

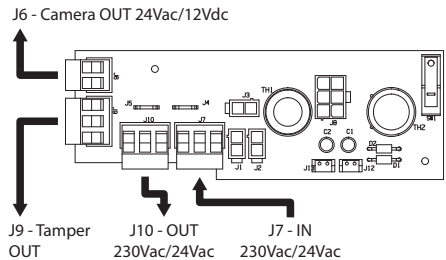


Fig. 22

6.3.3 Signalvorrichtung zum Schutz vor Öffnung

Zum Anschluss des Öffnungsschutzschalters dient die Klemme J9 aus Fig. 25, Seite 9. Dabei sind die folgenden Kennzeichnungen zu beachten:

ANSCHLUSS DES ÖFFNUNGSSCHUTZSCHALTERS	
COM	Gemeinsamer Schalterdraht
NC	Klemme mit Öffnerkontakt
NO	Klemme mit Schließerkontakt

Tab. 01



Die Schalterbetriebsspannung muss kleiner als 30Vac oder 60Vdc sein.

7 Wartung und Reinigung

7.1 Wartung

7.1.1 Ersetzung der Scheibe bei Glasbruch

Die 5 Muttern lockern.

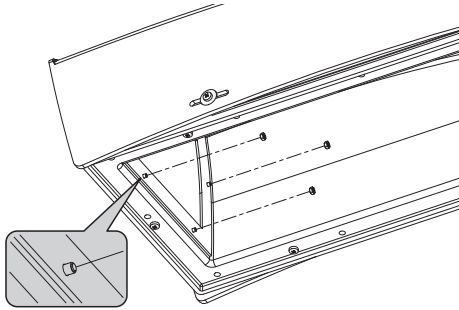


Fig. 23

Die Außenplatte der Scheibe aus der Innenplatte nehmen.

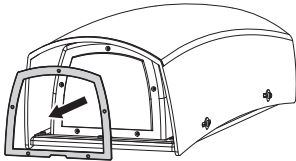


Fig. 24

Das beschädigte Blech mit Scheibe durch ein neues Blech ersetzen.

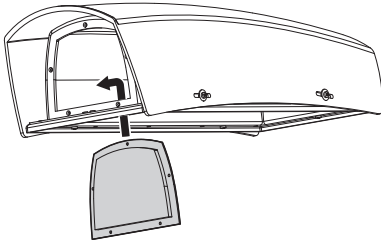


Fig. 25

Das Ganze in umgekehrter Reihenfolge wie oben wieder zusammenbauen, dann die 5 Muttern mit einem Anzugsdrehmoment von 1,6Nm erneut anziehen.

7.2 Reinigung

7.2.1 Reinigung des Glases und der Kunststoffteile (PC)

Es werden empfohlen verwässerte neutrale Seifen oder spezifische Produkte zur Reinigung der Brillenlinsen zusammen mit einem weichen Tuch.



Zu vermeiden sind Äthylalkohol, Lösungsmittel, hydrierte Kohlenwasserstoffe, starke Säuren und Alkali. Diese Produkte können die behandelte Oberfläche beschädigen.

8 Müllentsorgungsstellen



Dieses Symbol und das entsprechende Recycling-System gelten nur für EULänder und finden in den anderen Ländern der Welt keine Anwendung.

Ihr Produkt wurde entworfen und hergestellt mit qualitativ hochwertigen Materialien und Komponenten, die recycelt und wiederverwendet werden können.

Dieses Symbol bedeutet, daß elektrische und elektronische Geräte am Ende ihrer Nutzungsdauer von Hausmüll getrennt entsorgt werden sollen.

Bitte entsorgen Sie dieses Gerät bei Ihrer örtlichen Sammelstelle oder im Recycling Centre.

In der Europäischen Union gibt es unterschiedliche Sammelsysteme für Elektrik- und Elektronikgeräte.

9 Technische Daten

9.1 Allgemeines

Unterteil aus Aluminium, Pulverlackierung mit Epoxydpolyester, Farbe RAL9002

Oberteil und Sonnenschutzdach aus ABS

Externe Schrauben aus rostfreiem Stahl

Im Lieferumfang enthalten Betriebsanleitung, Beutelchen mit Salz, Montagezubehör für Telekamera und Objektiv

9.2 Mechanik

Platte mit 4xM16-Kabelschellen (auch eine mitgelieferte rostfreie Platte für kundenspezifische Bohrungen

Glasfenster: (beziehen Sie sich auf der Zeichnung)

Innere Nutzabmessungen: (beziehen Sie sich auf der Zeichnung)

Einheitsgewicht: 9.2kg

9.3 Elektrik

Vorinstallierter Wischer

- IN 230Vac, Verbrauch 7W max
- IN 24Vac, Verbrauch 7W max

Heizung Ton 15°C+/-3°C Toff 22°C+/-3°C

- IN 115/230Vac, dreifache Lüftergestützte Heizung, Verbrauch 150W
- IN 24Vac, dreifache Lüftergestützte Heizung, Verbrauch 80W

Kameranetzteil

- IN 100-240Vac - OUT 12Vdc, 50/60 Hz, 1A

9.4 Umgebung

Für innere / äußere Installationen

Betriebstemperatur mit Heizung: -20°C / +50°C

9.5 Zertifizierungen

IP66/IP67 gemäß EN 60529 mit Kabelschellen

10 Technische Zeichnungen

i MaßAngabe in Millimeter.

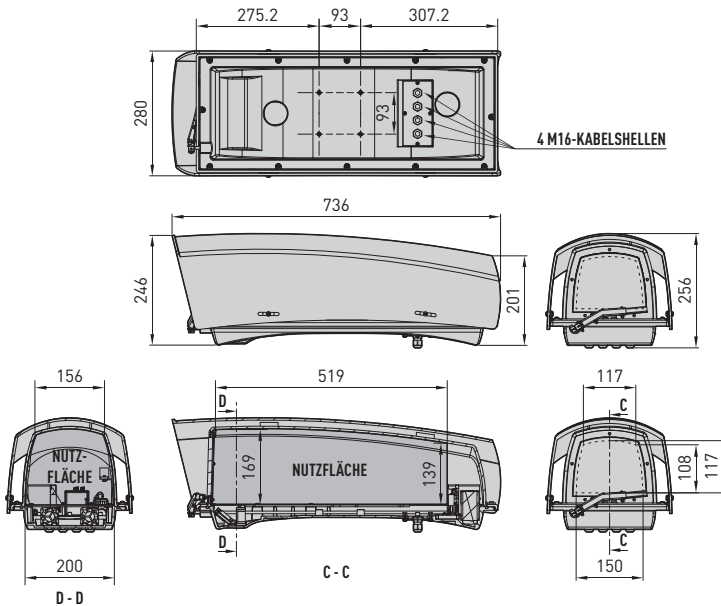


Fig. 26 HGV



VIDEOTEC S.p.A.
www.videotec.com
Printed in Italy
MNVCHGV_0850_DE

HEADQUARTERS ITALY

VIDEOTEC S.p.A.
Tel. +39 0445 697411
Fax +39 0445 697414
info@videotec.com

FRANCE

VIDEOTEC FRANCE S.A.R.L.
Tel. +33 2 32094900
Fax +33 2 32094901
info@videotec-france.com

UK / IRELAND

VIDEOTEC UK SALES
Tel. +44 0113 815 0047
Fax +44 0113 815 0047
uksales@videotec.com

U.S.A. / CANADA

VIDEOTEC SECURITY, Inc.
Tel. +1 973 5950788
Fax +1 425 6484289
usasales@videotec.com

ASIA PACIFIC

VIDEOTEC (HK) Ltd
Tel. +852 2333 0601
Fax +852 2311 0026
info@videotec.com.hk



VIDEOTEC S.p.A.
www.videotec.com
Printed in Italy
MNVCHGV_0850

HEADQUARTERS ITALY

VIDEOTEC S.p.A.
Tel. +39 0445 697411
Fax +39 0445 697414
info@videotec.com

FRANCE

VIDEOTEC FRANCE S.A.R.L.
Tel. +33 2 32094900
Fax +33 2 32094901
info@videotec-france.com

UK / IRELAND

VIDEOTEC UK SALES
Tel. +44 0113 815 0047
Fax +44 0113 815 0047
uksales@videotec.com

U.S.A. / CANADA

VIDEOTEC SECURITY, Inc.
Tel. +1 973 5950788
Fax +1 425 6484289
usasales@videotec.com

ASIA PACIFIC

VIDEOTEC (HK) Ltd
Tel. +852 2333 0601
Fax +852 2311 0026
info@videotec.com.hk