

## Small PoE IR LED Illuminator

The Clarius<sup>®</sup> Plus range of high performance Infra-Red LED illuminators are designed to provide class leading performance, long life and ultra low maintenance.

Incorporating the latest surface mount Dual Core<sup>®</sup> LED's with enhanced optical output and outstanding reliability, they deliver excellent night-time images.

Each unit is fitted with integrated control circuitry to carefully control LED output, delivering consistent illumination and projected working life in excess of 10 years.

The Clarius<sup>®</sup> Plus range of illuminators includes a new interchangeable lens diffuser system; which allows the user to quickly and easily alter the angle of illumination. Elliptical beam profiles allow more light to be delivered where it is needed, allowing both longer distances and minimising light wastage. The system also helps to prevent overexposure of foreground objects.

As standard the illuminator includes interchangeable lensing to deliver 10° circular, 30°, 60° and 95° elliptical beam profiles.

### PRODUCT CODES

#### SECL-IR850-POE-S

Small Clarius PLUS PoE Infra-Red Illuminator 850nm

#### SECL-IR940-POE-S

Small Clarius PLUS PoE Infra-Red Illuminator 940nm

### Interchangeable Diffuser Lens



### FEATURES

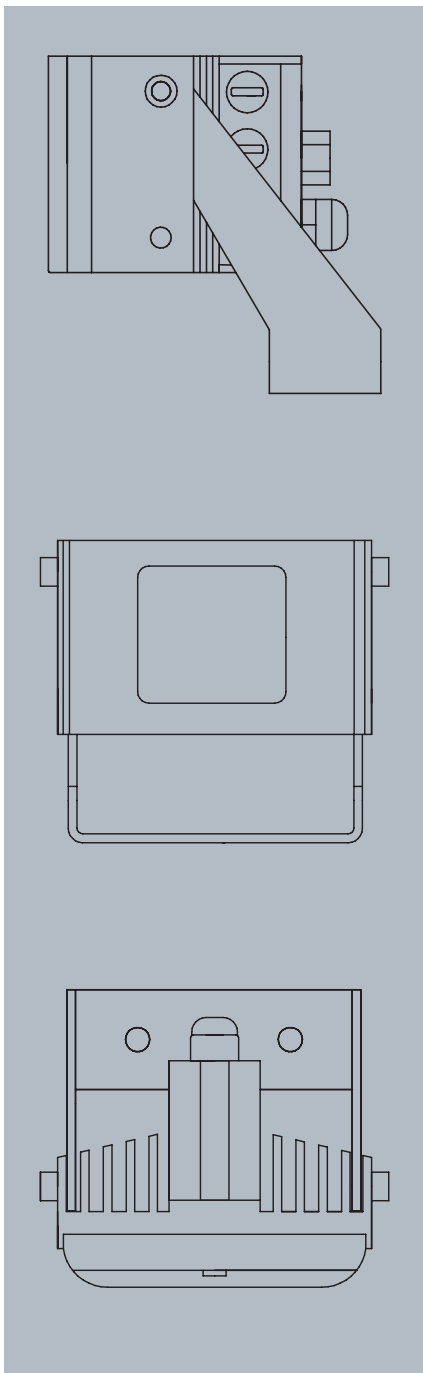
IR illuminator designed to provide dedicated lighting for IP cameras via PoE (Power Over Ethernet)
IEEE802af Compliant
Latest Dual Core <sup>®</sup> SMT LED technology
Elliptical beam profiles
Distances up to 101m (332')
Angle 10°, 30°, 60° & 95°
850nm or 940nm wavelengths
5 year warranty
IP66 weather proof rating
Built-in photocell IR on/off
Photocell following contact
Telemetry & camera day/night remote switching
CleanLITE <sup>®</sup> self cleaning lens coating technology
Advanced LED optics
High quality anodised aluminium heatsink
Pressure equalisation vent

# SPECIFICATIONS



Product Code	Wavelength	Angle	Distance		FOV	
SECL-IR850 -POE-S	850nm	10° - Circular	101m	332'	18m	58'
		30° - Elliptical	51m	166'	27m	89'
		60° - Elliptical	32m	106'	37m	122'
		95° - Elliptical	16m	53'	35m	115'
SECL-IR850 -POE-S	940nm	10° - Circular	62m	204'	11m	36'
		30° - Elliptical	30m	98'	16m	53'
		60° - Elliptical	18m	60'	21m	70'
		95° - Elliptical	9m	30'	20m	66'

Other angles available on request.



GENERAL	
<b>ELECTRONICS</b>	High efficiency surface mount high power dual core® with advanced current limited integral control circuitry
<b>CONSTRUCTION</b>	Robust high quality aluminium extrusion
<b>FRONT WINDOW</b>	Polycarbonate high transmission protective (vandal proof) IR filter with CleanLITE® technology
<b>FINISH</b>	Black anodised
<b>POWER CABLE</b>	3m (9ft) with waterproof RJ45 connector
<b>INTERFACE CONNECTOR</b>	Photocell following contact & remote telemetry input
<b>PRESSURE EQUALISATION VENT</b>	Prevents thermal expansion & pressure cycling
<b>PHOTOCELL</b>	Adjustable 20 -70 Lux
<b>ILLUMINATION</b>	Adjustable 10% - 100%
<b>OPERATING TEMPERATURE</b>	-50° to 50°C (-58° to 122°F)
<b>WEIGHT</b>	750g (1.6lbs)
<b>MOUNT</b>	Powder coated stainless steel wall mount
<b>DIMENSIONS</b>	68 x 110 x 78mm (2.68" x 4.33" x 3.07")
ELECTRICAL	
<b>POWER OVER ETHERNET (POE)</b>	IEEE802af Compliant interface, Power classification (Class 0)
<b>CONSUMPTION</b>	12W
WAVELENGTH	
<b>STANDARD</b>	850nm (Semi Covert). Faint red glow only

CERTIFICATIONS		
<b>SAFETY</b>	EN60598:2004 EN60825-1	Electrical safety Laser eye safety
<b>IP</b>	IP66 in accordance with EN60529:1992	
<b>EMC</b>	EN61000, FCC Part 15. 107 15. 108 Class B	
<b>WEEE</b>	Waste electrical & electronic equipment european directive 202/96/EC	
<b>RoHS</b>	Restriction of hazardous substance european directive 202/95/EC	