



QNB-6002

2MP Network Box Camera

Benefits

- Affordable Network Box Camera
- Clear and vivid images with 120dB WDR
- Intelligent Video Analytics including Defocus detection, Directional detection, Motion detection, Enter/Exit, Tampering, Virtual line
- Advanced Video Compression with WiseStream II

Key Features

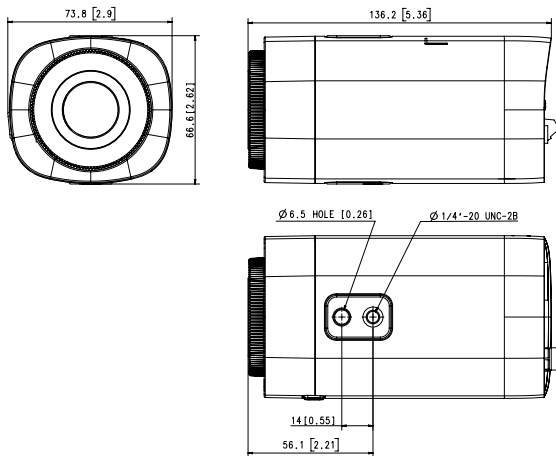
- 0.01Lux@F1.2 (Colour)
- Max. 30fps@2MP (H.265/H.264)
- Day & Night (ICR), WDR (120dB)
- Defocus detection, Directional detection, Motion detection, Enter/Exit, Tampering, Virtual line, Tampering
- SD 1slot (128GB)
- H.265, H.264, MJPEG codec, WiseStream II

QNB-6002

QNB-6002	
VIDEO	
Imaging Device	1/2.8" 2MP CMOS
Effective Pixels	1920(H)x1080(V)
Min. Illumination	Colour: 0.01Lux (F1.2, 1/30sec)
Video Out	CVBS: 1.0 Vp-p / 75Ω composite, 720x480(N), 720x576(P) for installation
LENS	
Focus Control	Manual
Lens Type	Manual/ DC-IRIS
Mount Type	C mount, CS mount
Optional Lens	SLA-M2890DN
OPERATIONAL	
Camera Title	Displayed up to 85 characters
Day & Night	Auto (ICR)
Backlight Compensation	BLC, WDR, SSSDR
Wide Dynamic Range	120dB
Digital Noise Reduction	SSNR
Motion Detection	4ea, polygonal zones
Privacy Masking	6ea, rectangular zones
Gain Control	Low/ Middle/ High
White Balance	ATW/ AWC/ Manual/ Indoor/ Outdoor
LDC	Support
Electronic Shutter Speed	Minimum/ Maximum/ Anti flicker (1/5~1/12,000sec)
Video Rotation	Flip, Mirror, Hallway view (90°/270°)
Analytics	Defocus detection, Directional detection, Motion detection, Enter/Exit, Tampering, Virtual line
Serial Interface	RS-485(Samsung-T, Pelco-D/P, Panasonic, Bosch, AD, GE, Vicon, Honeywell)
Alarm I/O	Input 1ea / Output 1ea
Alarm Triggers	Analytics, Network disconnect, Alarm input
Alarm Events	File upload via FTP and e-mail Notification via e-mail SD/SDHC/SDXC or NAS recording at event triggers Alarm output
Audio In	Line-in Supply voltage: 2.5VDC(4mA), Input impedance: 2K Ohm
Audio Out	Line-out 1Vrms
NETWORK	
Ethernet	RJ-45(10/100BASE-T)
Video Compression	H.265/H.264: Main/Baseline/High, MJPEG
Resolution	1920x1080, 1280x1024, 1280x960, 1280x720, 1024x768, 800x600, 800x448, 720x576, 720x480, 640x480, 640x360, 320x240
Max. Framerate	H.265/H.264: Max. 30fps/25fps(60Hz/50Hz) MJPEG: Max. 15fps/12fps(60Hz/50Hz)
Smart Codec	WiseStreamII
Bitrate Control	H.264/H.265: CBR or VBR MJPEG: VBR
Streaming	Unicast(6 users) / Multicast Multiple streaming (Up to 3 profiles)
Audio Compression	G.711 u-law /G.726 Selectable G.726(ADPCM) 8KHz, G.711 8KHz G.726: 16Kbps, 24Kbps, 32Kbps, 40Kbps
Protocol	IPv4, IPv6, TCP/IP, UDP/IP, RTP(UDP), RTP(TCP), RTCP, RTSP, NTP, HTTP, HTTPS, SSL/TLS, DHCP, FTP, SMTP, ICMP, IGMP, SNMPv1/v2c/v3(MIB-2), ARP, DNS, DDNS, QoS, UPnP, Bonjour, LLDP

Dimensions

Unit:mm(inch)



QNB-6002

NETWORK

Security	HTTPS(SSL) Login Authentication Digest Login Authentication IP Address Filtering User access log 802.1X Authentication(EAP-TLS, EAP-LEAP) Device Certificate(Hanwha Techwin Root CA)
Edge Storage	Micro SD/SDHC/SDXC 1slot 128GB
Application Programming Interface	ONVIF Profile S/G/T SUNAPI(HTTP API) Wisenet open platform
Web Viewer	Supported OS: Windows 7, 8.1, 10, Mac OS X 10.12, 10.13, 10.14 Recommended Browser: Google Chrome Supported Browser: MS Explore11, MS Edge, Mozilla Firefox(Window 64bit only), Apple Safari(Mac OS X only)
Memory	1024MB RAM, 256MB Flash

ENVIRONMENTAL

Operating Temperature / Humidity	-10°C ~ +55°C (-14°F ~ +131°F) / Less than 90% RH
Storage Temperature / Humidity	-30°C ~ +60°C (-22°F ~ +140°F) / Less than 90% RH

ELECTRICAL

Input Voltage	PoE(IEEE802.3af, Class3), 12VDC
Power Consumption	PoE: Max 6.4W, Typical 4.6W 12VDC: Max 5.8W, Typical 4.1W

MECHANICAL

Colour / Material	Black, Ivory / Plastic
Product dimensions / weight	73.8(W)x66.6(H)X136.2(D)mm(2.9x2.6x5.4"), 320g(0.71 lb)

- * The latest product information / specification can be found at hanwha-security.com
- * Design and specifications are subject to change without notice.
- * Wisenet is the proprietary brand of Hanwha Techwin.