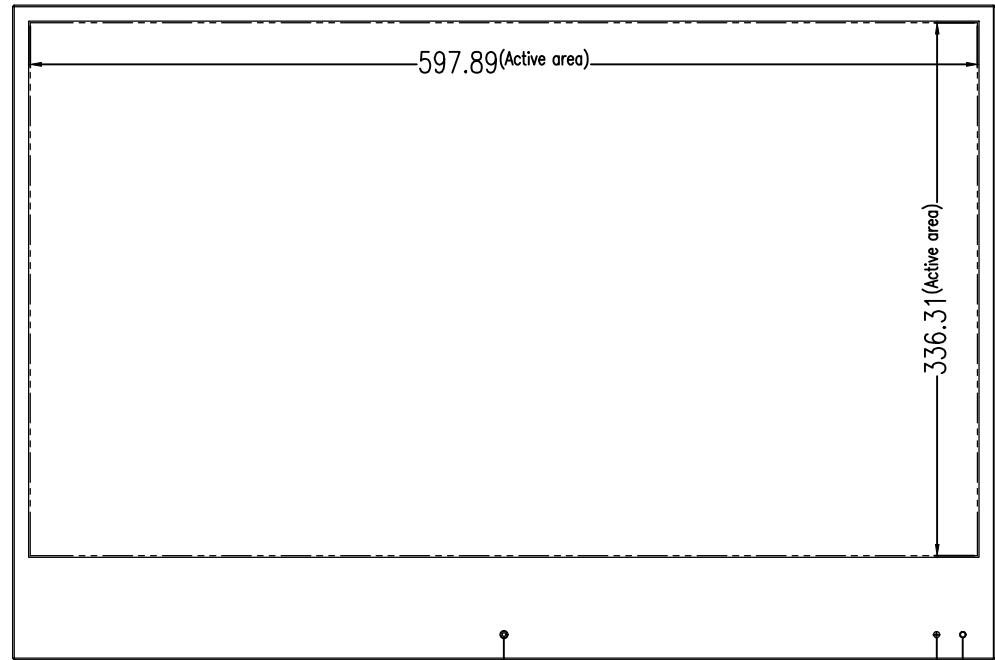
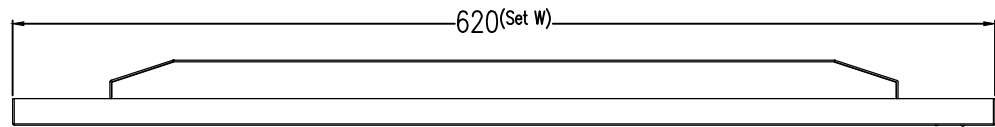
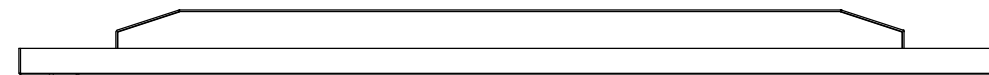
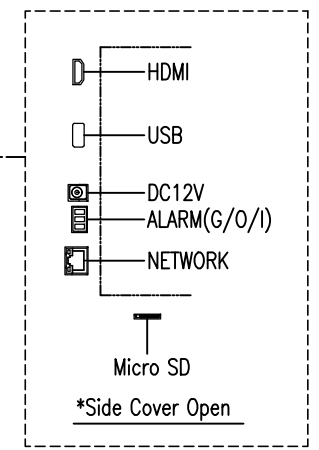
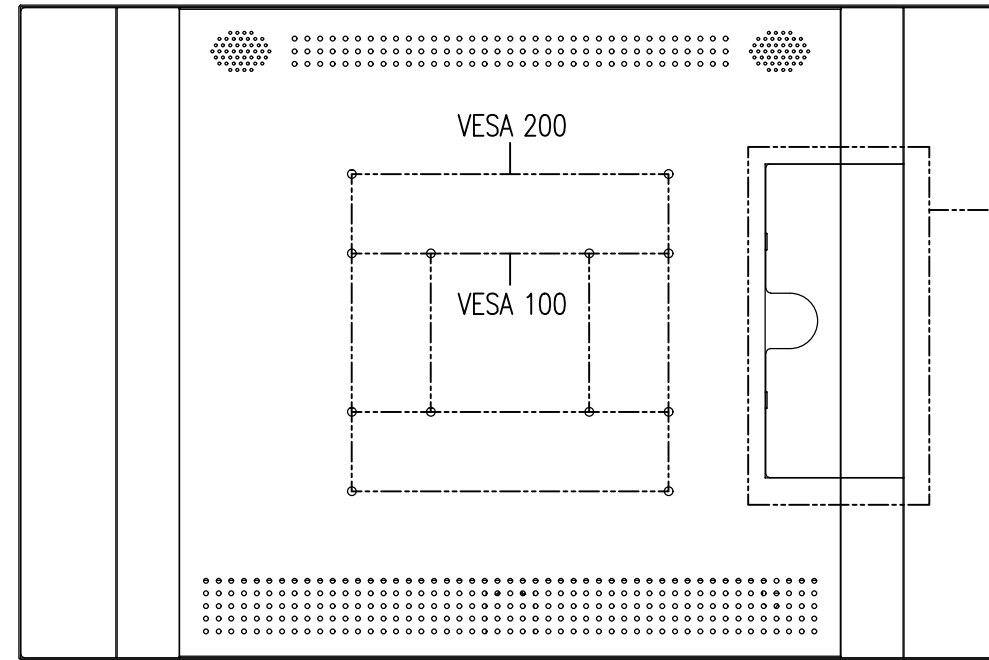
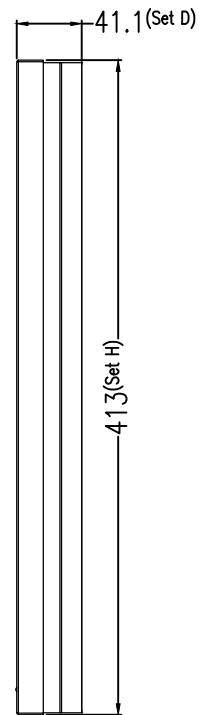


	REASON OF MODIFY	DATE	NAME	APPROVE
▲	도면 수정(IO 변경 및 USB 추가)	20.09.09	NJY	
▲				
▲				



Camera

IR LED



UNITS	mm	MATERIAL		MODEL	SMT-2730PV	Q'TY	
SCALE	1/1	DATE	20.05.20	PART NAME	OUTLINE DRW		
<b>OJC KOREA</b>		DESIGN	KJH	DWG No.			
		APPROVE		REV No.	0	PAGE	1/1