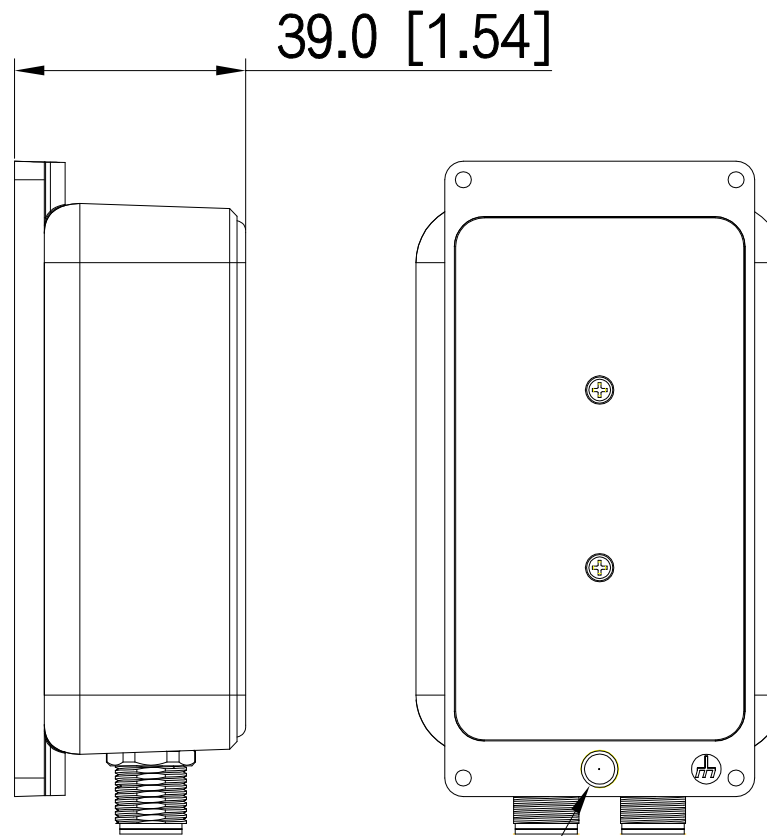
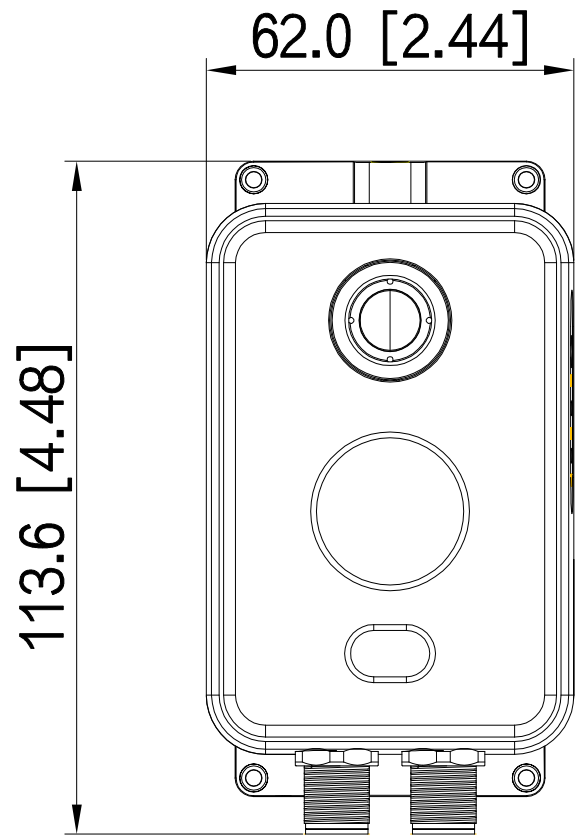


mm [inch]



1/4-20 (UNC)

