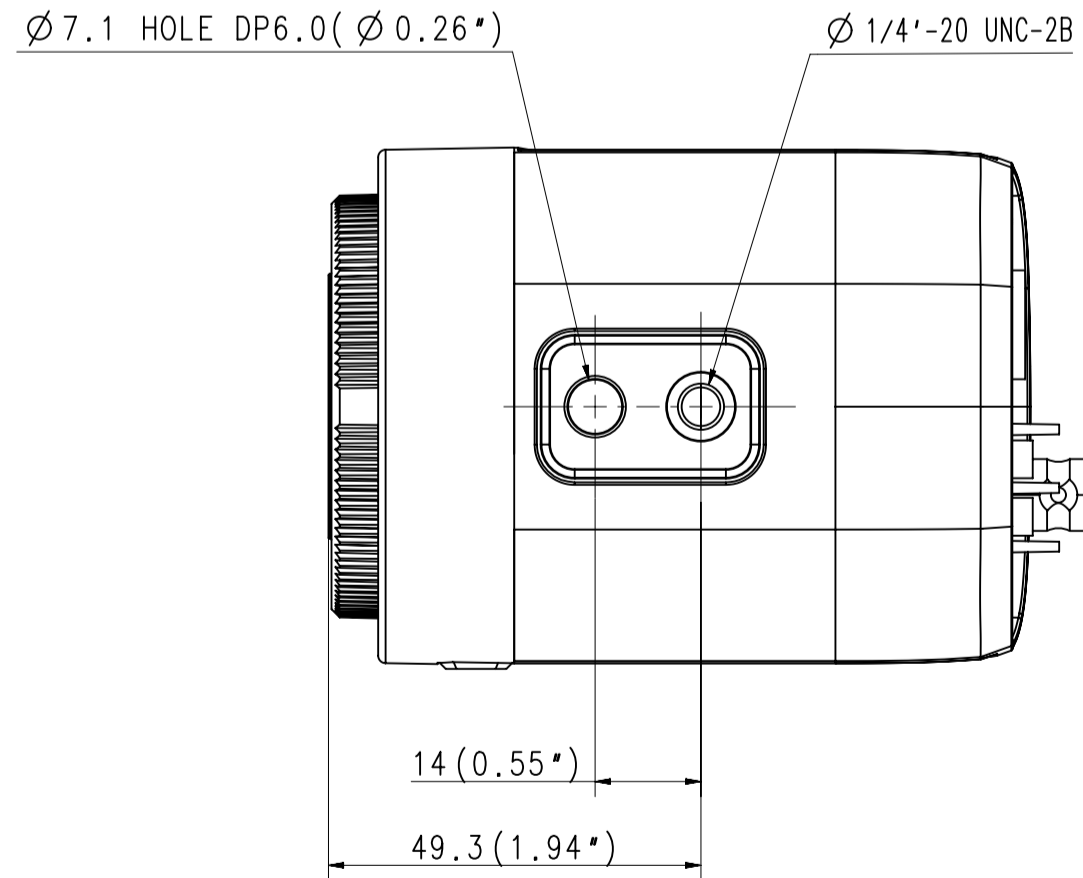
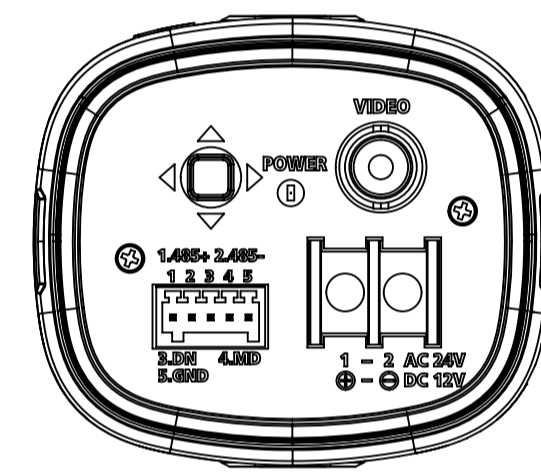
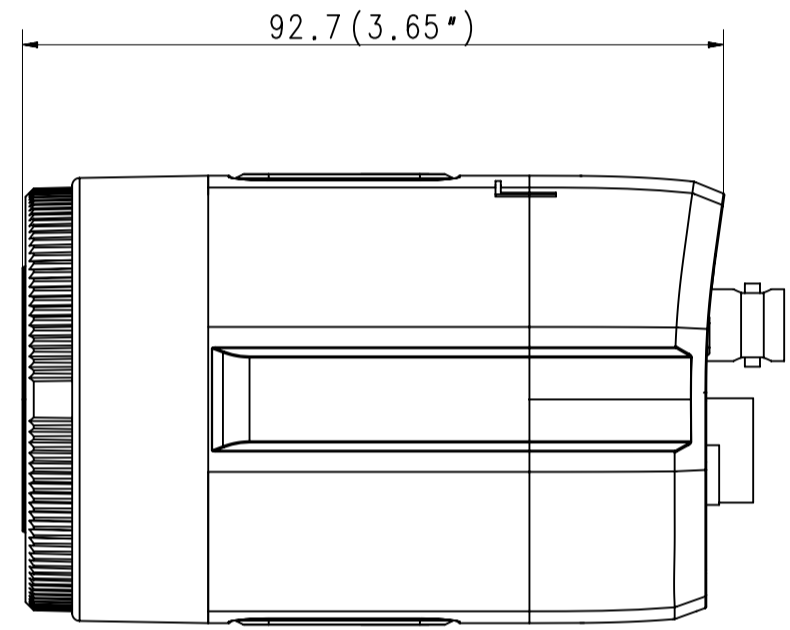
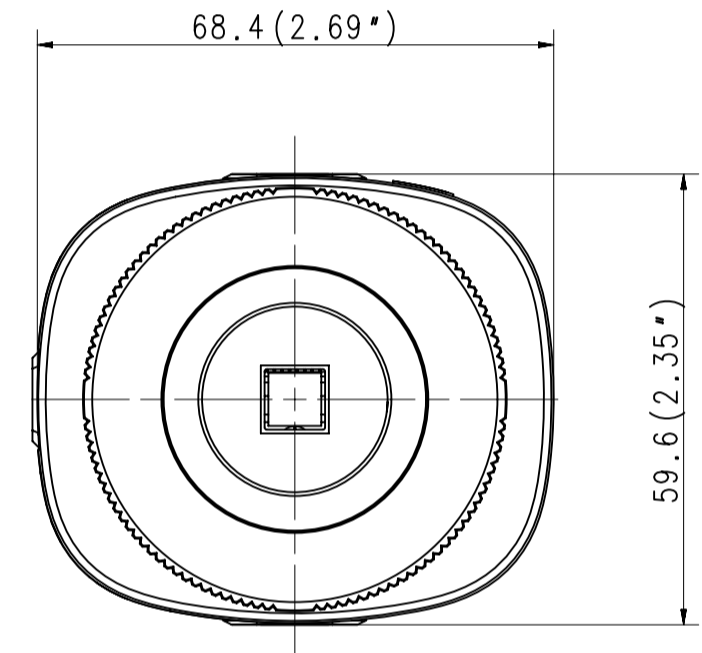
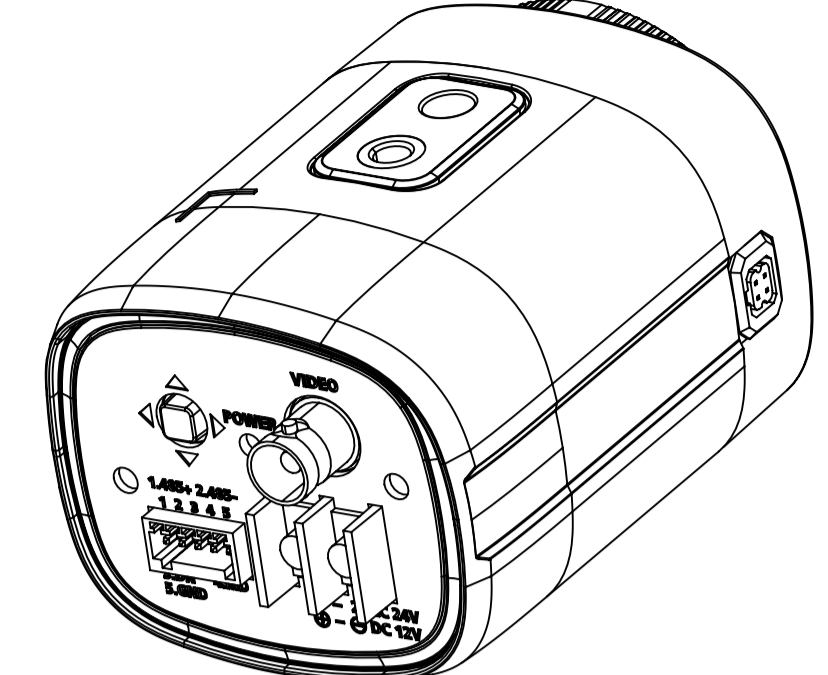
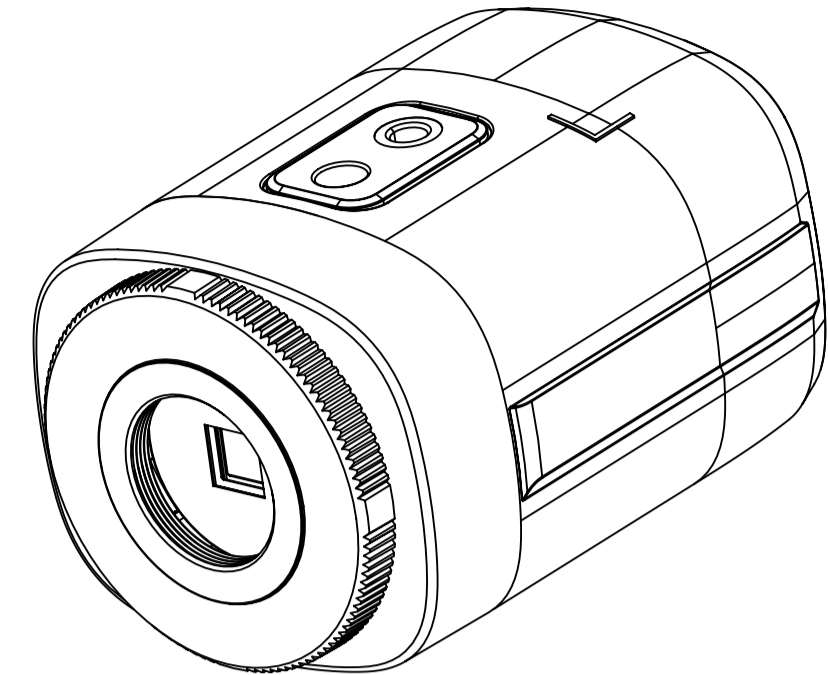
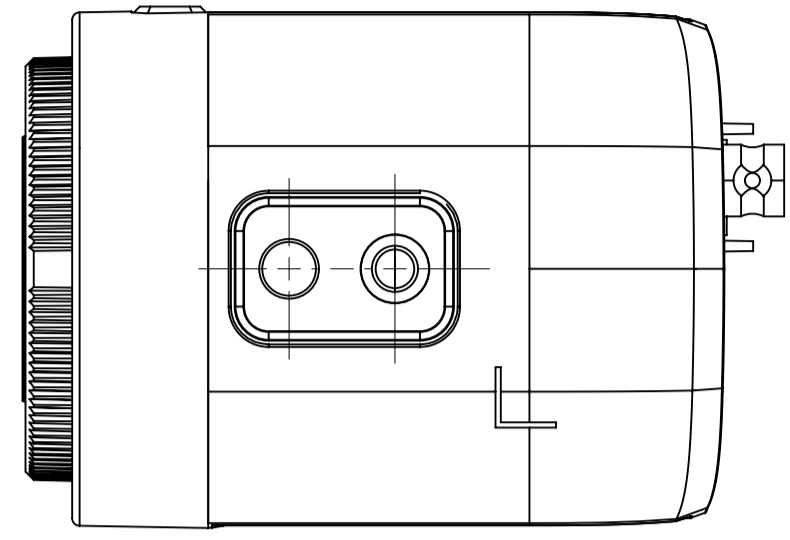


NO	PART NAME	CODE NO.	MATERIAL	Q'TY	REMARK
1	-	-	-	-	-



UNIT	mm	DESIGN	CHECK	APPROVAL	PART NAME	
SCALE	1/1	HTW	-	-	MODEL NAME	HCB-6000/7000
		17.07.26	17.07.26	17.07.26	CODE NO.	057837
HANWHA TECHWIN						

CHANGE
1