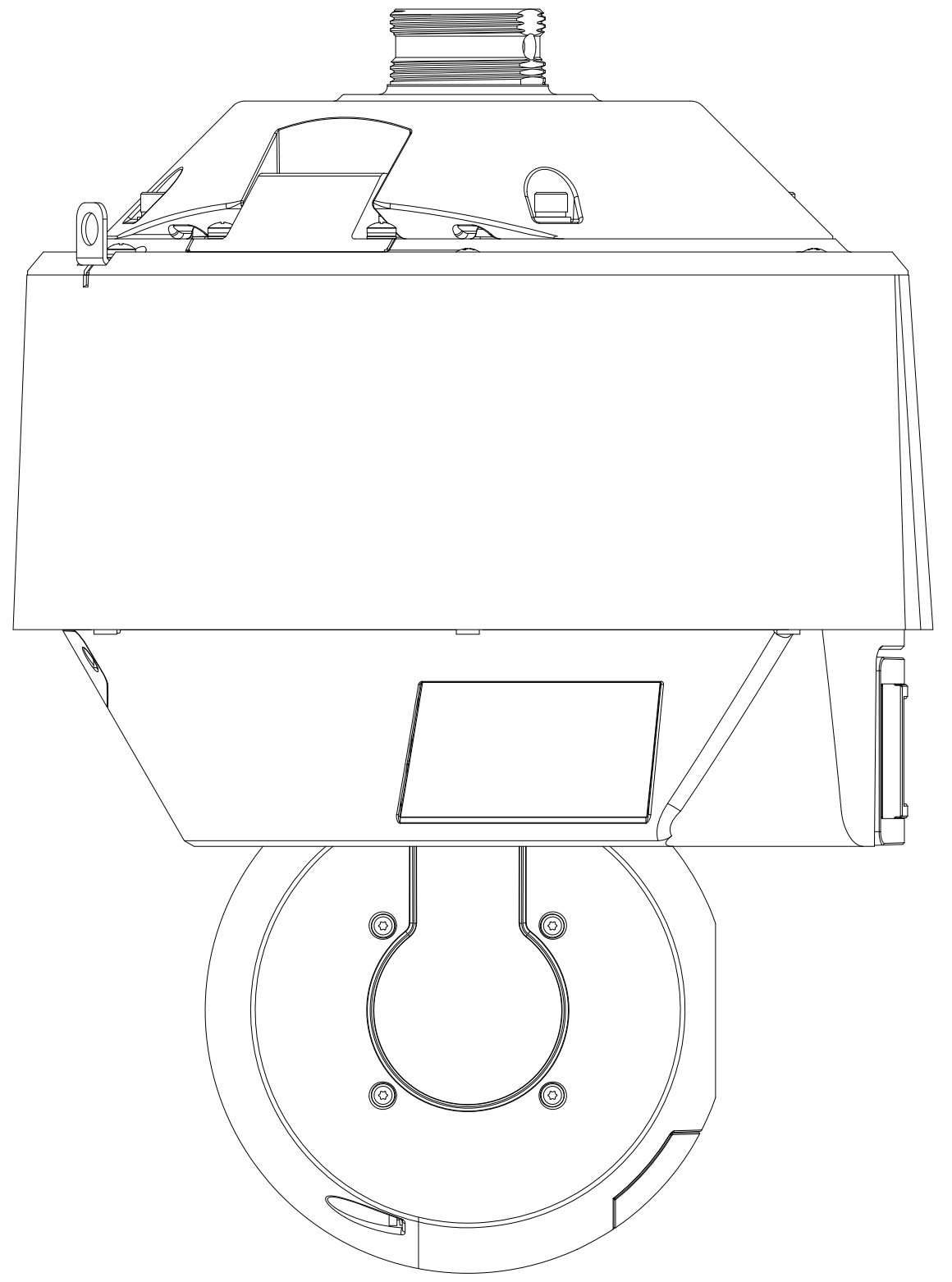
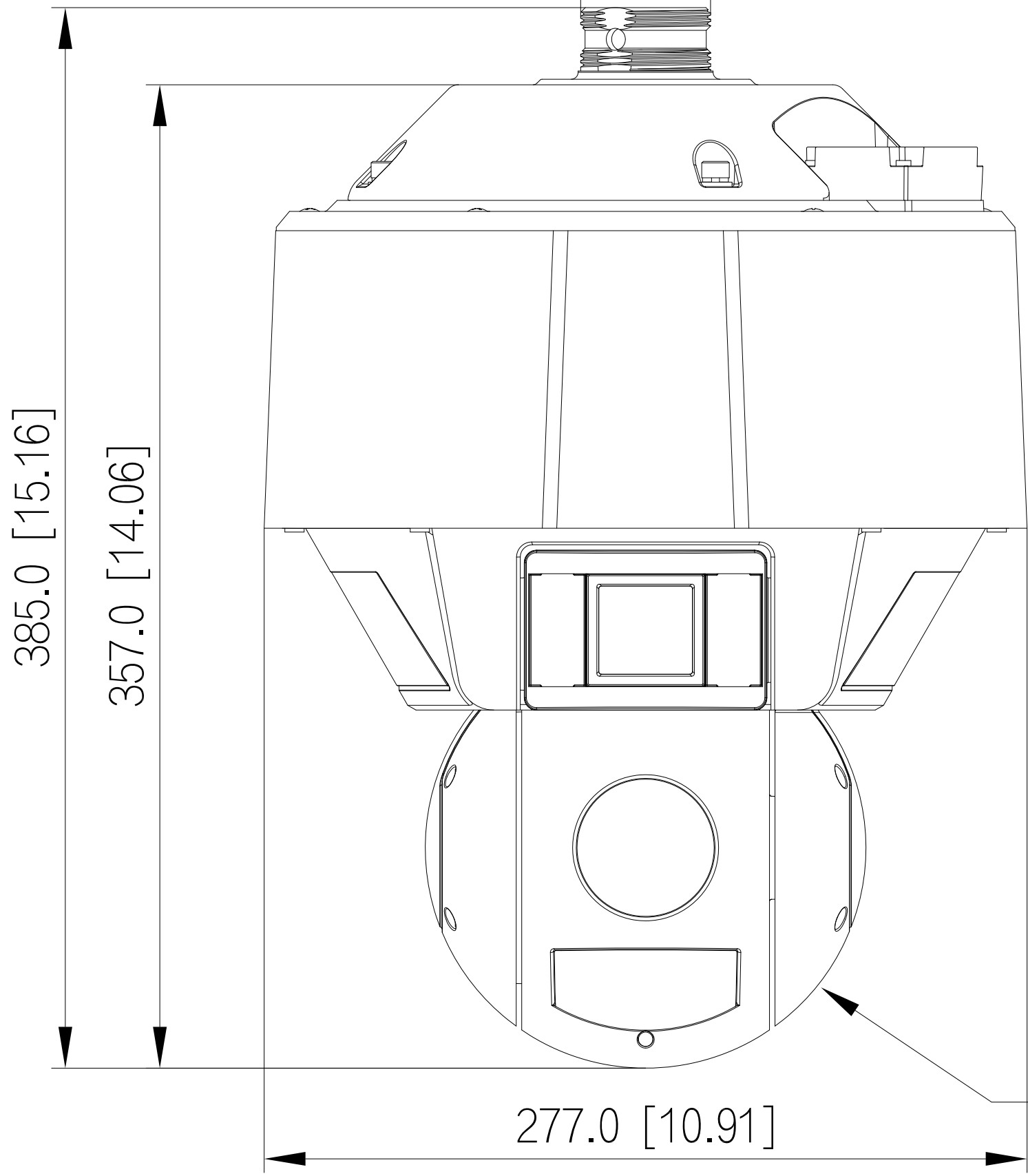


mm [inch]

G1 1/2 B



Ø160.0 [Ø6.30]