

---

**SAMSUNG TECHWIN**

# **Outdoor Housing**

Installation Manual

SHP-3701H

---



## OVERVIEW

---

The outdoor-type housing (SHP-3701H) is the housing used to install the smart dome camera or network camera on a wall or ceiling outdoors.

## CAUTIONS ON INSTALLATION

---

1. For the power supply of the housing, please use the AC24V (3A) adaptor.
2. Please select an installation site that can withstand quadruple the weight of the product.
3. When installing the unit in a place where the temperature is very low, such as a cold storage unit, the cable piping connected to the housing needs to be sealed by silicone so that no external air gets into the inner part of the housing.  
If high-temperature and high-humidity air from the outside enters the inside of the housing through the piping, moisture or water may be generated within the unit due to the difference in temperature between the outer part and inner part of the product.
4. Please keep people away from the installation site during product installation, as there may be a risk of falling. Please proceed with the installation after moving valuables to a safe place.
5. If the product is installed in a place with high humidity, moisture may occur on the dome cover of the housing.  
Please open the dome cover prior to installation and remove moisture from the unit with a soft and dry cloth.

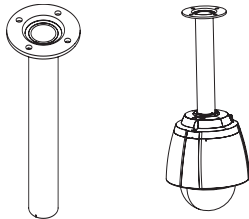
## OPTIONAL PRODUCTS FOR INSTALLATION

---

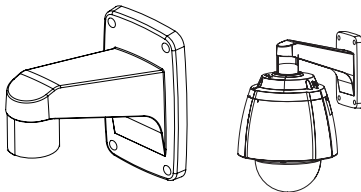
Please install the outdoor housing by using the appropriate one of the following adaptors according to the installation site.

- When installing one of the adaptors listed below, please try to install the unit according to the installation manual.

① CEILING MOUNT ADAPTOR (SBP-300CM): Please use this unit for installation on a ceiling.

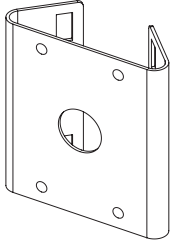


② WALL MOUNT ADAPTOR (SBP-300WM1): Please use this unit for installation on a wall.



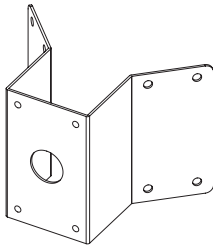
③ POLE MOUNT ADAPTOR (SBP-300PM): Please use this unit for installation on a pole.

- At this time, please use the unit in combination with the wall mount adaptor (SBP-300WM, SBP-300WM1).



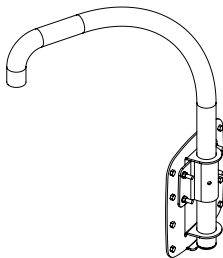
④ CORNER MOUNT ADAPTOR (SBP-300KM): Please use this unit for installation on the corner of a wall.

- Please use in combination with the wall mount adaptor (SBP-300WM, SBP-300WM1).



⑤ PARAPET MOUNT ADAPTOR (SBP-300LM):

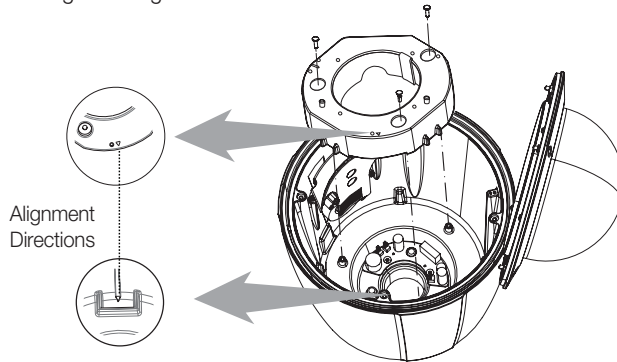
Please use this unit when facing the camera outside by installing it onto the inner wall of the building rooftop.



## INSTALLATION (SCP-3430 SERIES)

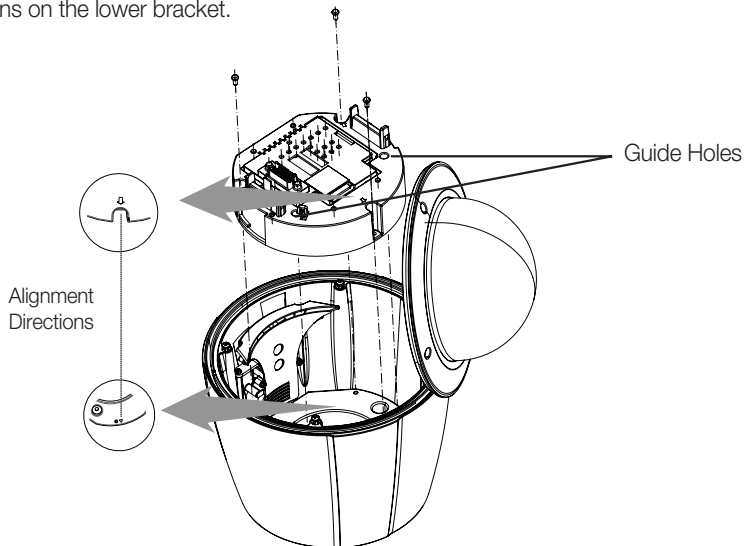
Applicable model : SCP-3430/2430/3250/2250/2251

1. Please fasten the lower bracket by using the machine screw provided as an accessory while referring to the figure below.

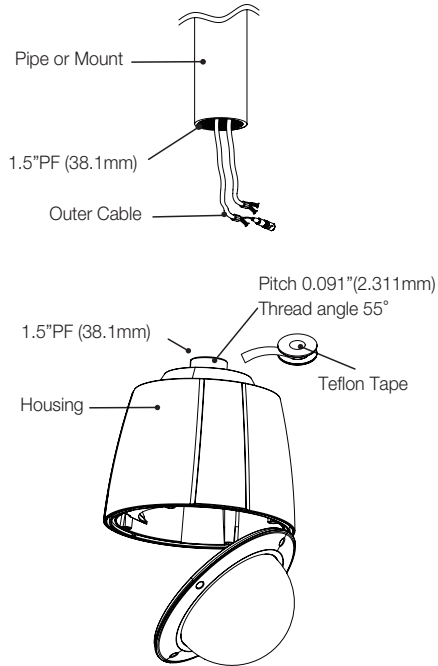


※ The lower bracket is exclusively for use with the SCP-3430 Series/SNP-5300 Series.

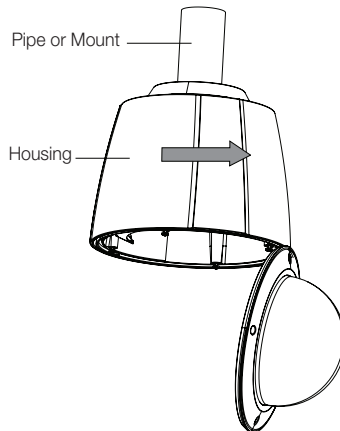
2. Please install the camera adaptor onto the housing by using the tapping screw provided as an accessory.  
Please make sure that the guide holes of the camera adaptor are fit by using two guide pins on the lower bracket.



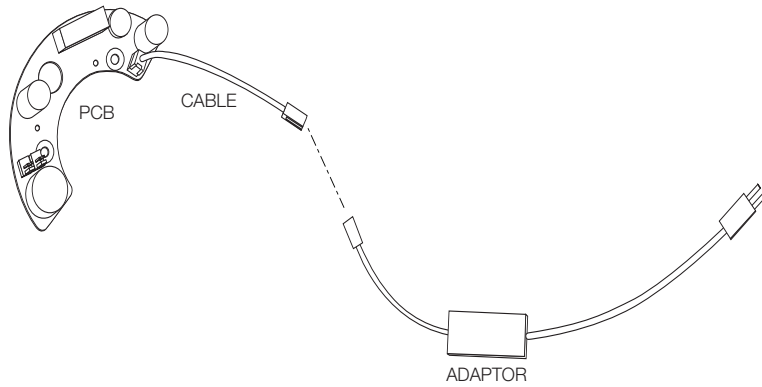
3. Please pull out the external cables to the outside through the inner part of “pipe or mount.”  
Please apply the Teflon taping around the screw part of the “housing.”



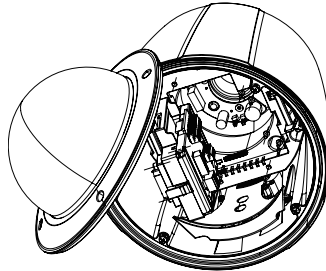
4. Install onto the pipe by turning the housing in a clockwise direction while referring to the figure below.



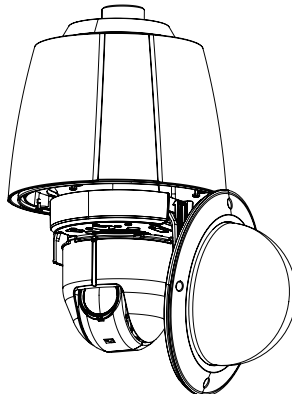
5. As shown in the figure below, separate the Fan & Heater PCB power from the camera set power, and then connect it to a separate power adaptor. (FAN: AC24V, 5W, HEATER: AV24V, 45W)



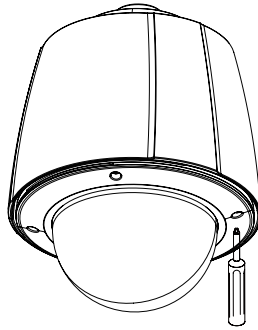
6. After inserting the external camera cable to the housing, connect to the corresponding jack on the adaptor.  
(For the details on the cable connection, please refer to the camera installation manual.)



7. Please install the camera onto the housing. Please confirm that the adaptor hook is properly fixed on the camera.



8. After confirming that the unit has been installed properly, attach the housing cover and tighten it firmly using 4 screws.

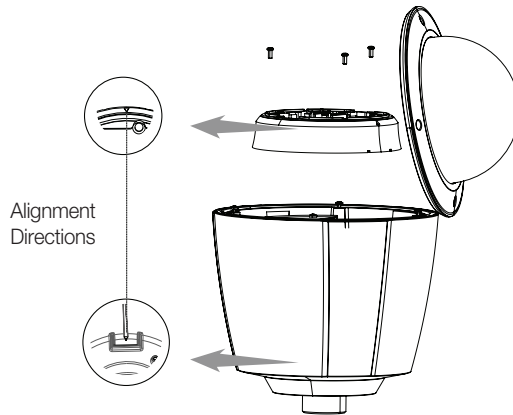


● KOR

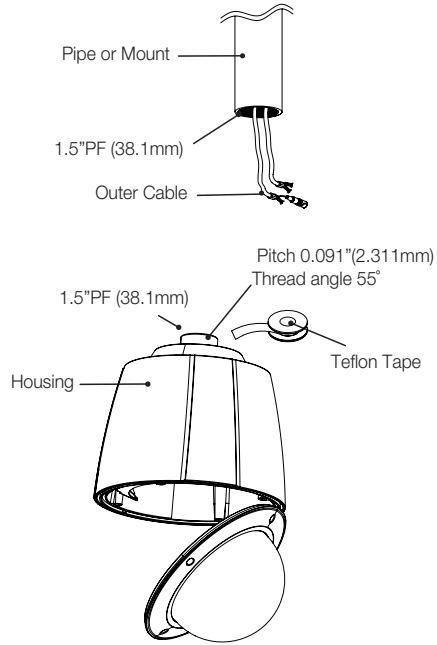
## INSTALLATION (SCP-3370/SNP-5200 SERIES)

Applicable model : SCP-3370/2370/2330/2270  
SNP-3371/3302/5200/6200

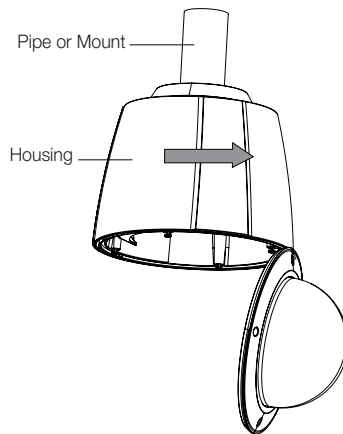
1. Using the machine screws provided, fasten 3 screw holes in the inside of the housing and 3 holes on the camera adaptor, referring to the figure below.



2. Please pull out the external cables to the outside through the inner part of “**pipe or mount**”. Please apply the Teflon taping around the screw part of the “**housing**.”

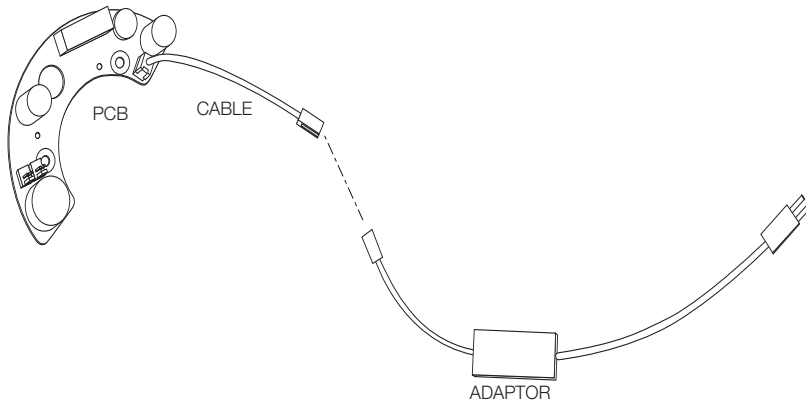


3. Install onto the pipe by turning the housing in a clockwise direction while referring to the figure below.

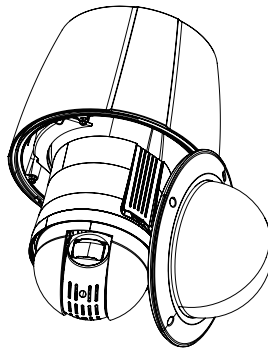




4. As shown in the figure below, separate the Fan & Heater PCB power from the camera set power, and then connect to a separate power adaptor. (FAN: AC24V, 5W, HEATER: AV24V, 45W)

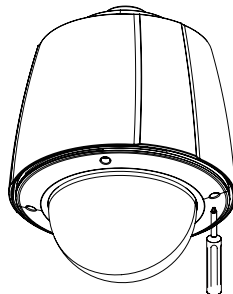


5. After connecting the camera adaptor and inner cable while referring to the installation manual, install the camera onto the housing and check if the adaptor hook is fastened properly onto the camera.



※ Remove the dome cover of the camera and install it onto the housing.

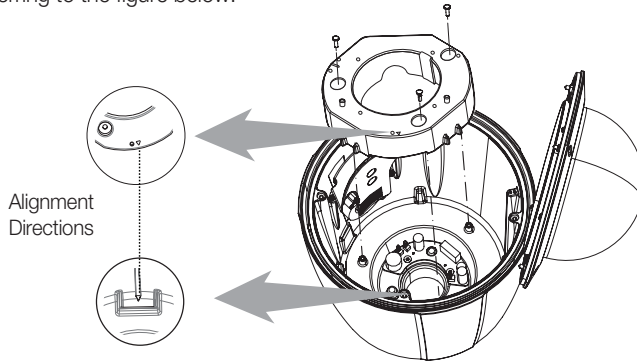
6. After confirming that the unit is installed properly, attach the housing cover and fasten it firmly using 4 screws.



## INSTALLATION (SCP-3371/SNP-5300 SERIES)

Applicable model : SCP-3371/2371/2271/2373/2273/6322  
SNP-5300/6201/6320/5430

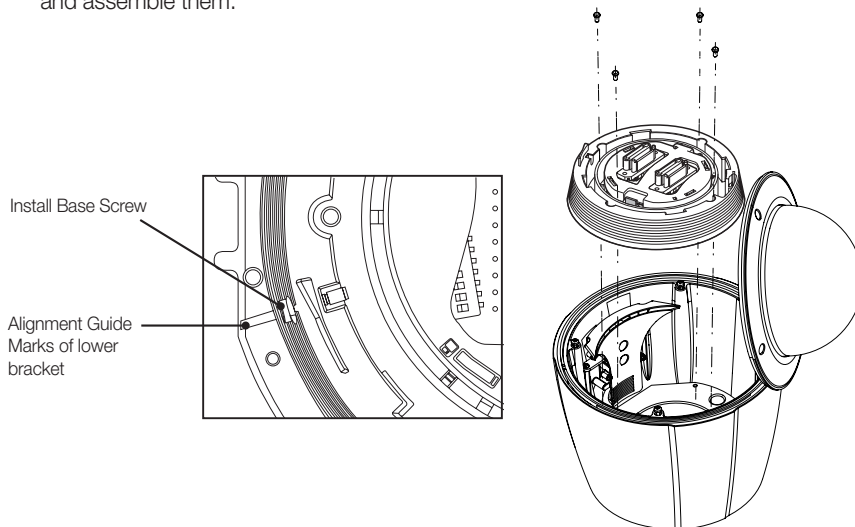
1. Please fasten the lower bracket by using the machine screw provided as a part while referring to the figure below.



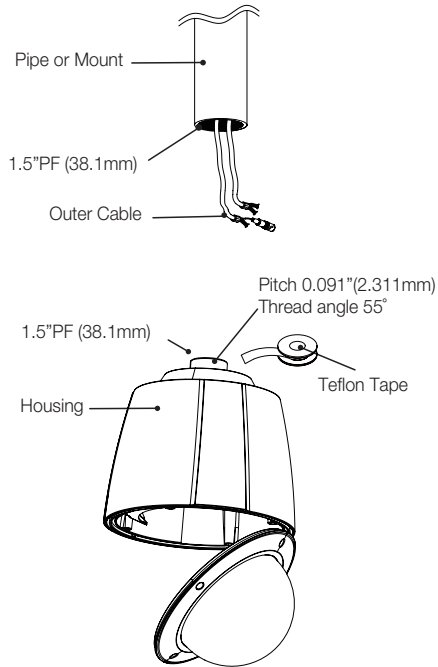
※ The lower bracket is exclusively for use with the SCP-3430 Series/SNP-5300 Series.

2. Please install the install base onto the housing by using the tapping screws provided as an accessory.

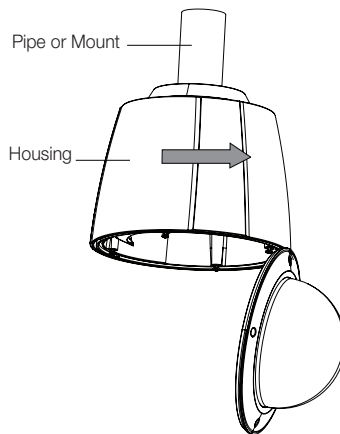
Align the position mark on the lower bracket with the screw direction on the install base, and assemble them.



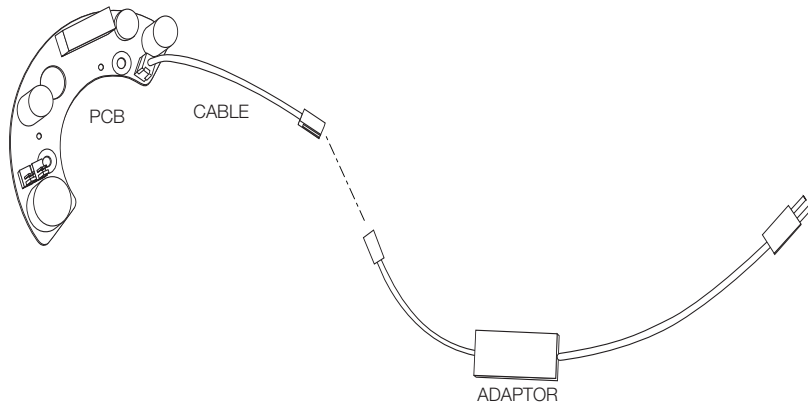
3. Please pull out the external cables to the outside through the inner part of “**pipe or mount.**” Please apply the Teflon taping around the screw part of the “**housing.**”



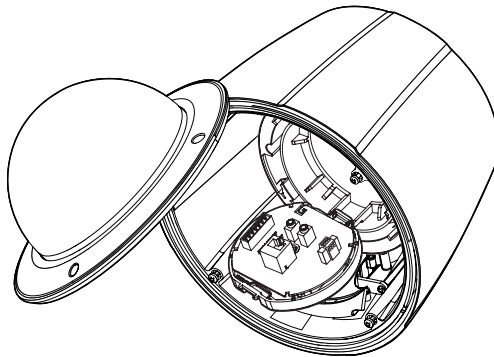
4. Install on the pipe by turning the housing in a clockwise direction, referring to the figure below.



5. As shown in the figure below, separate the Fan & Heater PCB power from the camera set power, and then connect it to a separate power adaptor. (FAN: AC24V, 5W, HEATER: AV24V, 45W)



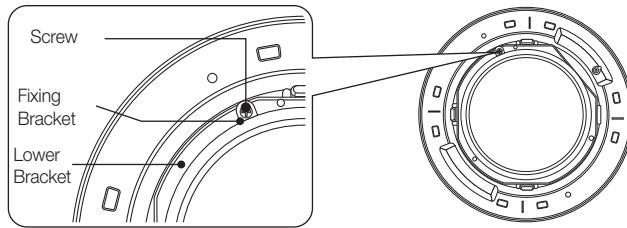
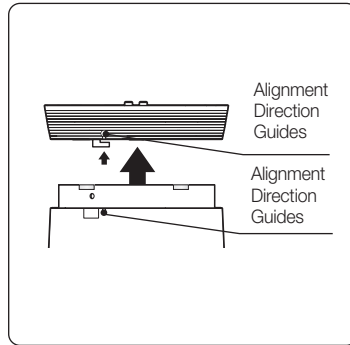
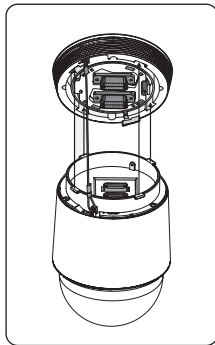
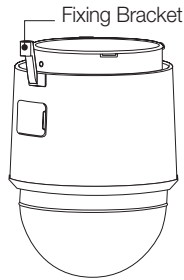
6. After inserting the external camera cable into the housing, connect it to the corresponding jack on the adaptor.  
(For details on cable connection, please refer to the installation manual of the camera.)



## 7. Camera Installation

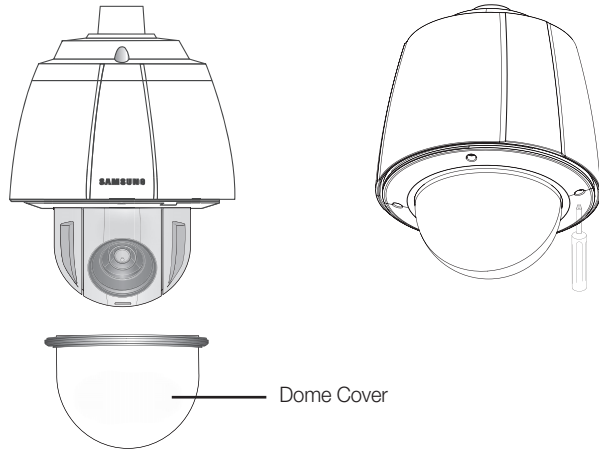
Insert the fixing bracket into the camera bezel. Connect the safety cable first and then assemble the camera. The safety cable is wound around the install base like a spring. Pull from the install base as shown in the figure below to mount onto the hook of the safety cable. After mounting the install base as shown in the figure, turn the unit in a clockwise direction. After turning the unit, connect the screw on the fixing bracket to the lower bracket.

※ When assembling the install base and the camera, please proceed with the installation by referring to the directions shown in the figure.



8. After confirming that the installation has been performed properly, remove the dome cover of the camera.

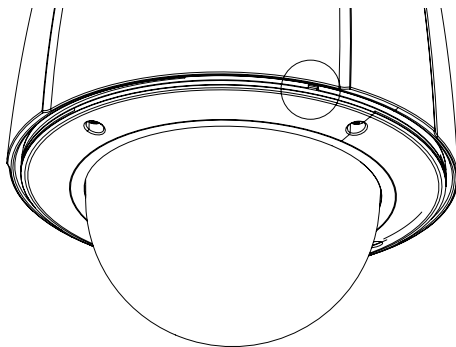
Attach the housing cover and tighten the unit firmly using 4 screws.



## CAMERA REMOVAL

---

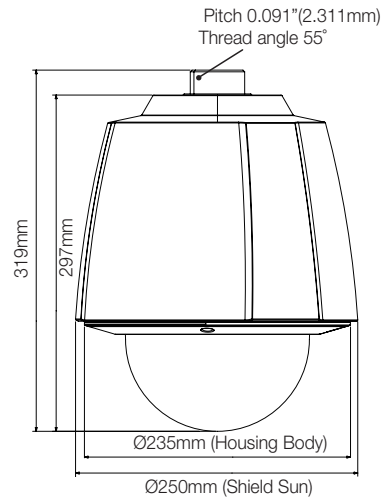
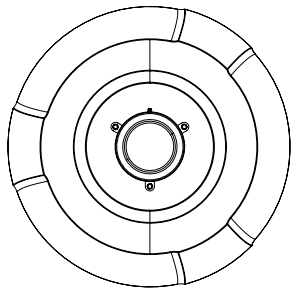
Loosen 4 screws fastening the housing cover, open the housing cover using a screw driver and remove the camera. (Refer to the figure below.)



## PRODUCT SPECIFICATIONS

Item	Dimensions
External Size (mm)	Ø250 X H319
Weight (kg)	2.9
Power	AC24V(50Hz) (use an adaptor of 3A or above for heater operation)
Power Consumption	5W (fan) / 50W (heater on)
Use Temperature	-50°C ~ 50°C
Use Humidity	0~90%
Fan Operating Temperature	Operating always
Heater Operating Temperature	4°C or below
IP Code	IP66

● KOR



## ACCESSORIES

- Lower Bracket..... 1unit  
Applicable model : SCP-3430/2430/3250/2250/2251  
SCP-3371/2371/2271/2373/2273/6322  
SNP-5300/6201/6320/5430
- Installation Manual..... Book 1
- Waterproofing Guide..... Book 1
- Machine Screw (M4XL10)(White).... 3 units
- Tapping Screw (M4XL10)(Black) .... 4 units

MEMO



MEMO



## SALES NETWORK

---

· **SAMSUNG TECHWIN CO., LTD.**

Samsung Techwin R&D Center, 6, Pangyo-ro 319beon-gil, Bundang-gu, Songnam-si, Gyeonggi-do 463-400, Korea  
TEL : +82-70-7147-8740~60 FAX : +82-31-8018-3745

· **SAMSUNG TECHWIN AMERICA Inc.**

100 Challenger Rd. Suite 700 Ridgefield Park, NJ 07660  
Toll Free : +1-877-213-1222 Direct : +1-201-325-6920  
Fax : +1-201-373-0124  
[www.samsungcctvusa.com](http://www.samsungcctvusa.com)

· **SAMSUNG TECHWIN EUROPE LTD.**

Samsung House, 1000 Hillswood Drive, Hillswood Business  
Park Chertsey, Surrey, UNITED KINGDOM KT16 OPS  
TEL : +44-1932-45-5300 FAX : +44-1932-45-5325

---

[www.samsungtechwin.com](http://www.samsungtechwin.com)  
[www.samsungsecurity.com](http://www.samsungsecurity.com)

PT01-001586A

