

Megapixel Camera Lens

User Manual

SLA-M2890PN



PT01-002620A

SAMSUNG AUTO IRIS LENS FOR Megapixel CAMERA OPERATING INSTRUCTIONS

The auto-iris lens for the megapixel cameras is equipped with an automatic iris controlled by a built-in stepping motor. It provides a uniform depth of field, enabling an optimum image even in circumstances where the light levels of a subject vary considerably.

To receive the best possible results, read the instruction manual carefully before using the lens.



Samsung cares for the environment at all product manufacturing stages, and is taking measures to provide customers with more environmentally friendly products. The Eco mark represents Samsung's devotion to creating environmentally friendly products, and indicates that the product satisfies the EU RoHS Directive.

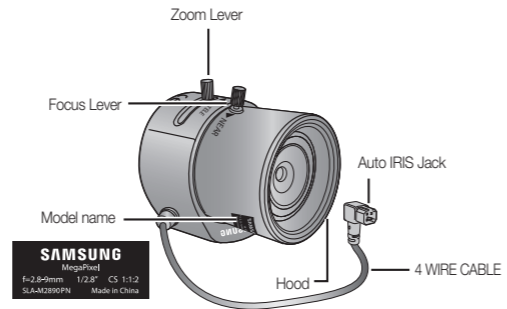
CONTENTS

LENS	3
PART NAMES AND FUNCTION	3
IRIS	3
HOW TO ASSEMBLE LENS AND CS MOUNT CAMERA	4
WIRING	4
DIMENSION	5
SPECIFICATION	6

LENS

This lens has an auto iris function driven by a stepping motor. It has an auto focus adjustment and an auto zoom adjustment function. P-IRIS function is implemented by the cable attached to the lens.

PART NAMES AND FUNCTION



IRIS

The iris of this device is driven by a stepping motor. The operation of the iris is controlled by an internal circuit in the camera.

- This lens cannot be used with a camera designed for DC Iris.

HOW TO ASSEMBLE LENS AND CS MOUNT CAMERA

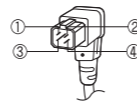
- Turn the lens clockwise to lock onto camera part mount screw. (When the lens locks successfully, it can turn around SLIP state)
- Turn clockwise until stop by stopper even if it almost SLIP state.
- From that point, turn the lens counter clockwise to rotate it in the SLIP state by up to. In such a way, you can adjust the lens to a desired position.
- Connect the lens cable to the appropriate camera connector.
- Finally, use the focus lever and zoom lever to fit the zoom factor and focus. Then, fix the lens with the camera.



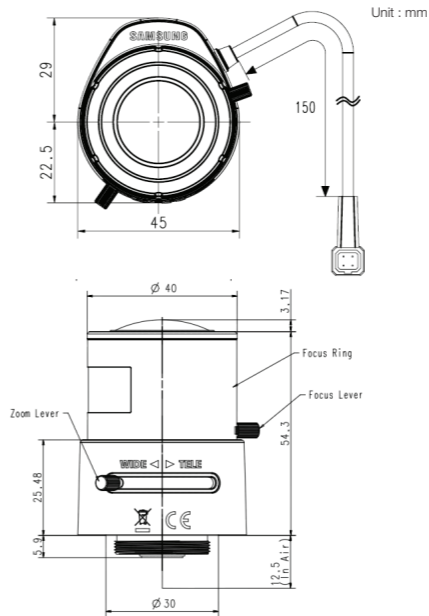
- This lens takes CS mount type so should be used 12.5mm FLANGE-BACK setting camera.

WIRING

1	Orange	B
2	Yellow	A
3	Red	A-
4	Black	B-



DIMENSION



SPECIFICATION

Model	SLA-M2890PN	
Imager Size	1/2.8"	
Focal Length	2.8-9.0mm	
Max. Resolution	3 Mega-Pixel	
Max. Aperture Ratio	1:1.2	
Max. Image Format	5.12mm x 3.84mm (Max ø6.7)	
Operation	Iris	P-Iris (F1.2 - F360C)
	Focus	Manual (0.3m - Inf.)
	Zoom	Manual (2.8-9.0mm)
Angle of View	Diagonal	134.2° - 42.7°
	Horizontal	104.2° - 33.7°
	Vertical	77.2° - 25.3°
Back Focal Length	7.52mm(0.30") (In Air)	
Flange Back Length	12.5mm (0.49")	
Mount	CS-mount	
Dimension (W x H x D)	40 x 51.5 x 63mm(1.57" x 2.03" x 2.48")	
Operating Temperature	-10°C - +50°C (+14°F - +122°F)	
Weight	82.1g(0.18lb)	

※ Refer to our website for the camera models compatible with this product.

SALES NETWORK

• HEAD OFFICE
6, Pangyo-ro 319beon-gil, Bundang-gu, Seongnam-si, Gyeonggi-do, SEOUL 463-400 Rep. of KOREA
Tel : +82-70-7147-8753, 8764 Fax : +82-31-8018-3740
www.samsungsecurity.com

• SAMSUNG TECHWIN AMERICA Inc.
100 Challenger Rd, Suite 700 Ridgely Park, NJ 07660
Toll Free : +1-877-213-1222 Direct : +1-201-325-6920
Fax : +1-201-373-0124
www.samsung-security.com

• SAMSUNG TECHWIN EUROPE LTD.
2nd Floor, No. 5 The Heights, Brooklands, Weybridge, Surrey, KT13 0NY, UK
Tel : +44-1932-82-6700 Fax : +44-1932-82-6701
www.samsungsecurity.co.uk

www.samsungsecurity.com

MEMO