



SBV-253WCW

Back Box

FC |  | CE | ENEC

Key Features

- Material: Polycarbonate(PC)
- Dimensions: 248(W) x 107.8(H) x 175.2(D)mm(9.76"x4.24"x6.9")
- Weight: 200g (0.44lb)
- Color: White

SBV-253WCW

Back Box



Specifications

Mechanical

Color	White
Material	Polycarbonate(PC)
RAL code	RAL9003
Product dimensions / weight	248(W) x 107.8(H) x 175.2(D)mm(9.76"x4.24"x6.9") / 200g (0.44lb)
Supported products	PNM-9031RV/PNM-9022V ※ For further compatible models, please visit our website or use Toolbox

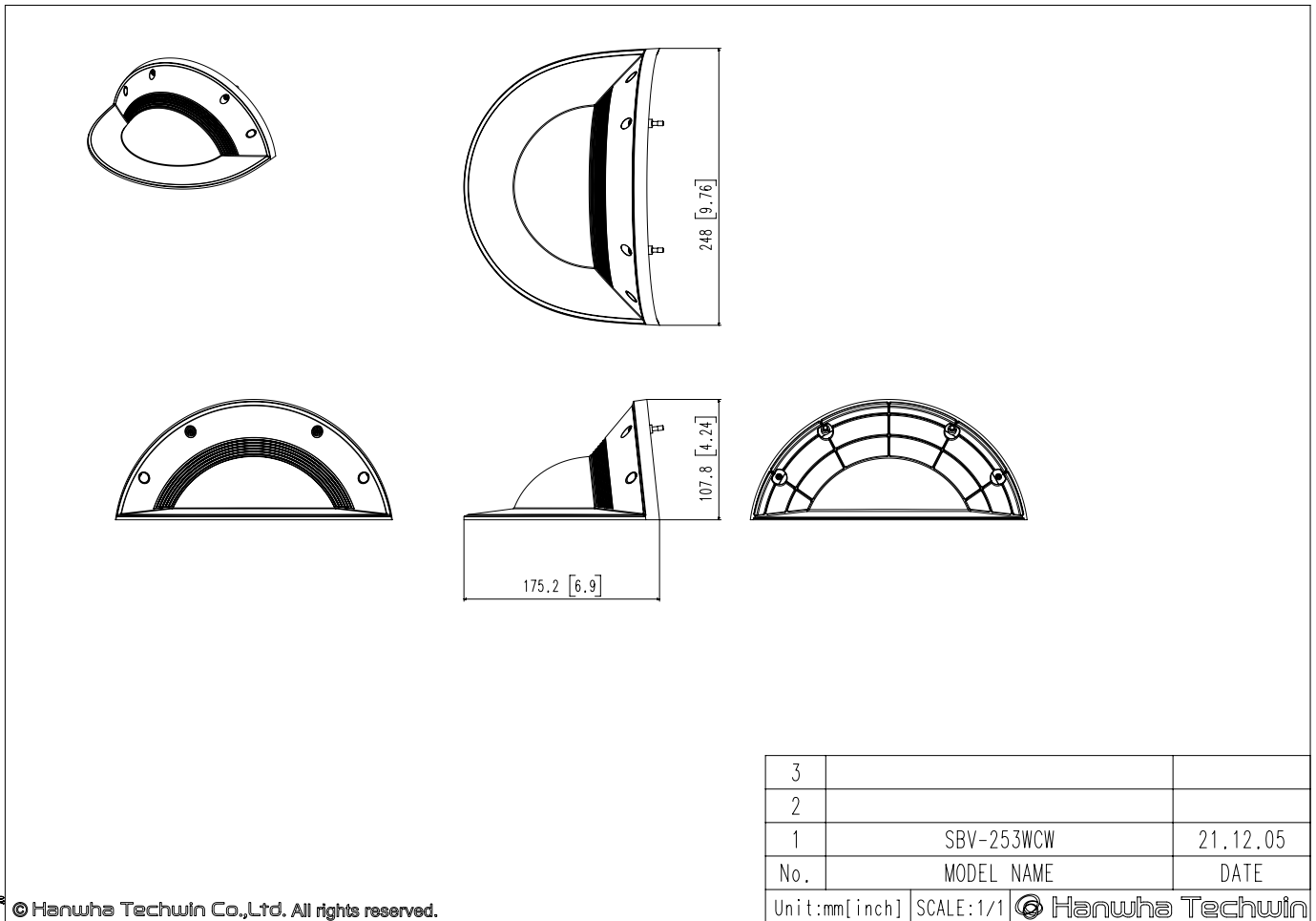
SBV-253WCW

Back Box



CAD

Unit: mm [inch]



© Hanwha Techwin Co., Ltd. All rights reserved.

Unit:mm[inch] SCALE:1/1 © Hanwha Techwin