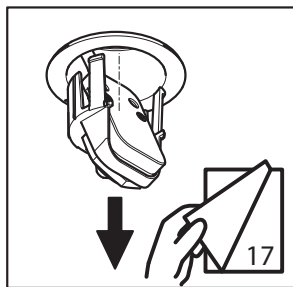
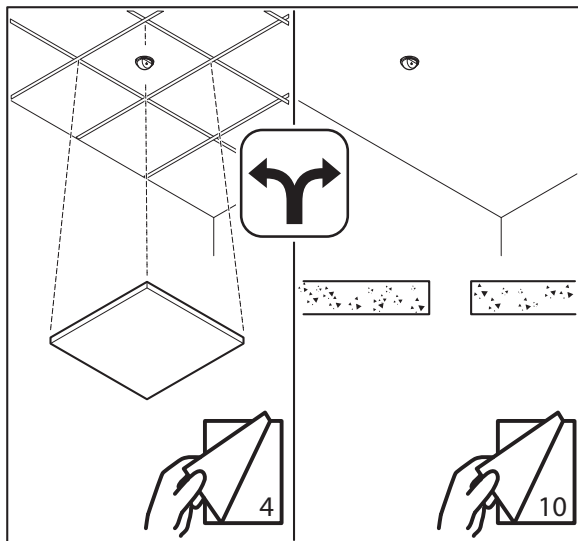
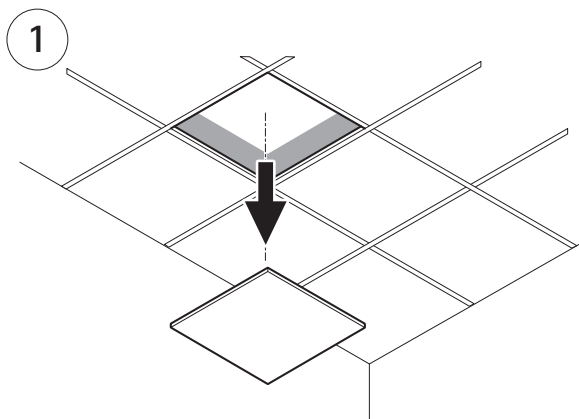
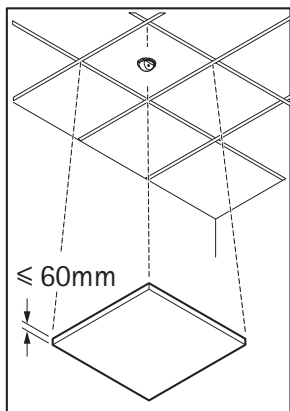
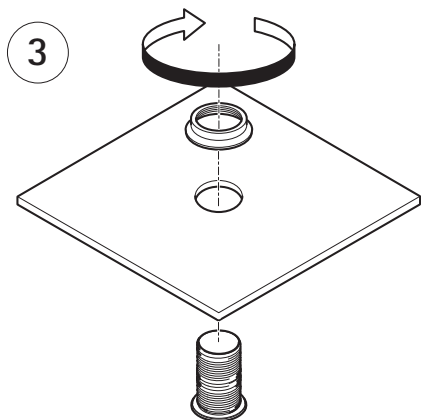
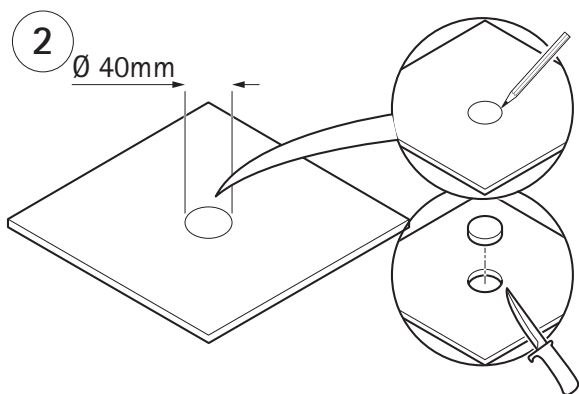


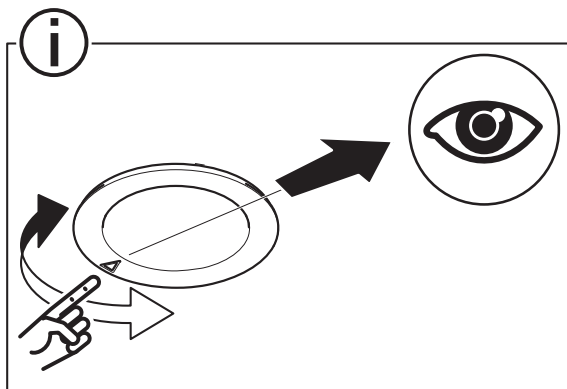
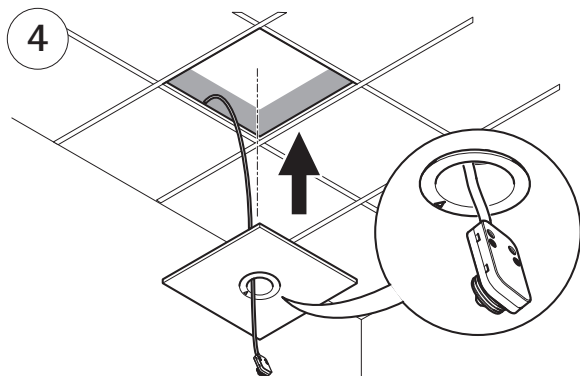
INSTALLATION GUIDE

AXIS F8225 Pinhole Accessory

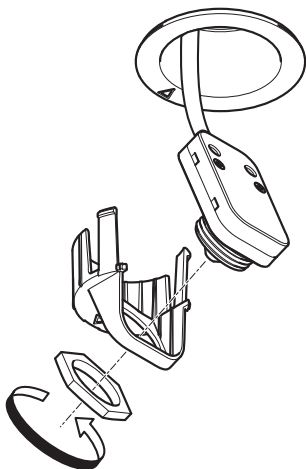




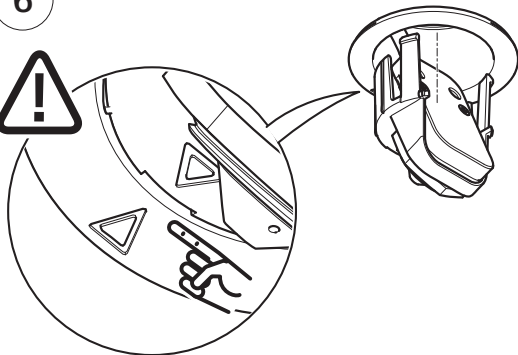




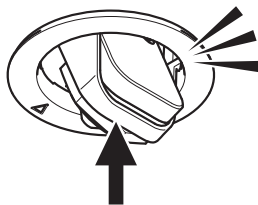
5



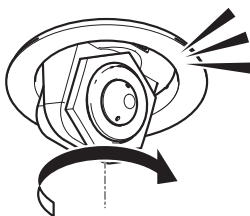
6



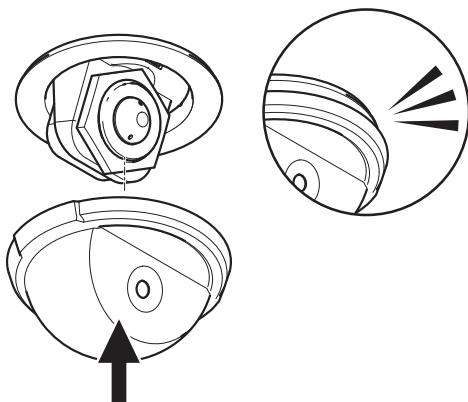
7



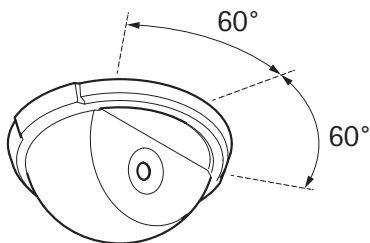
8

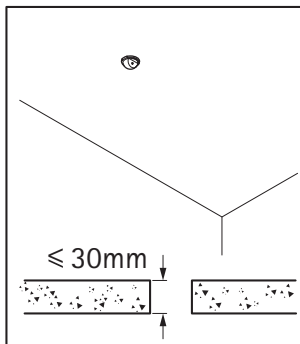


9

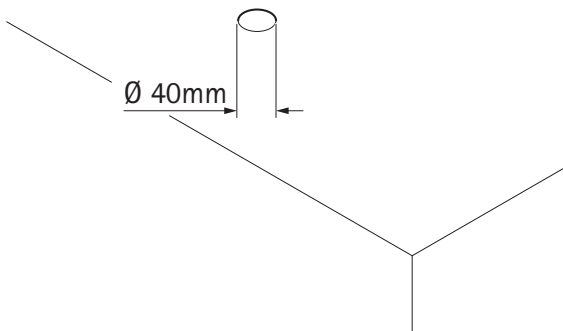


10

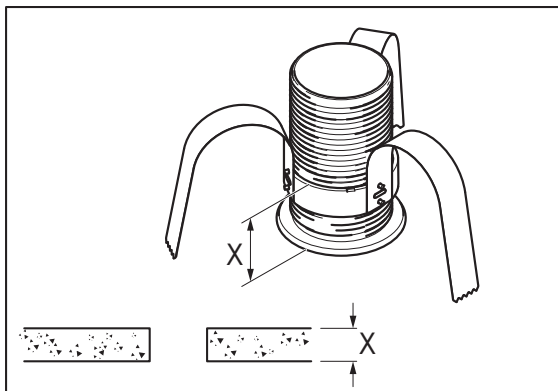
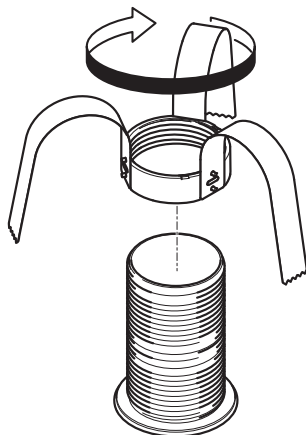




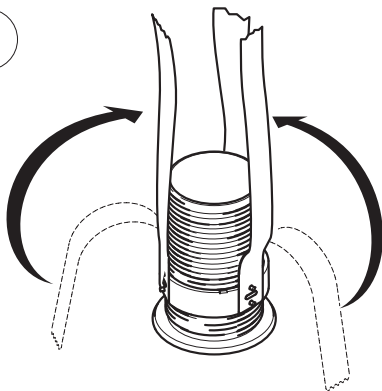
1



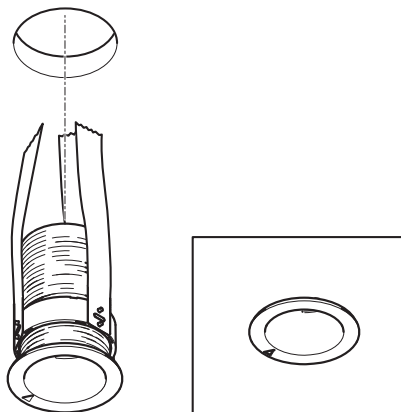
2

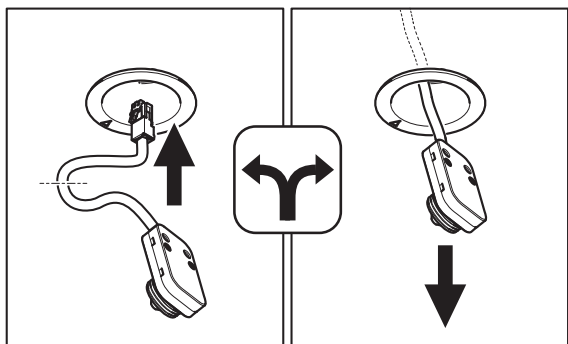
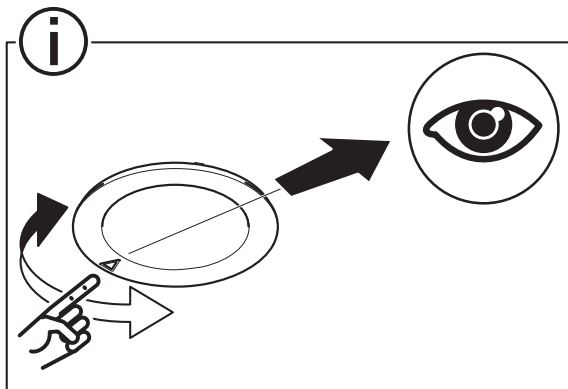


3

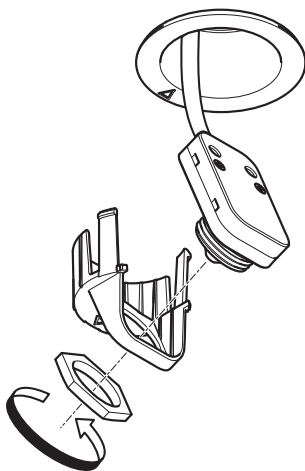


4

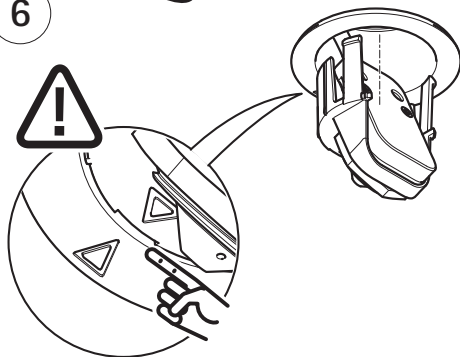


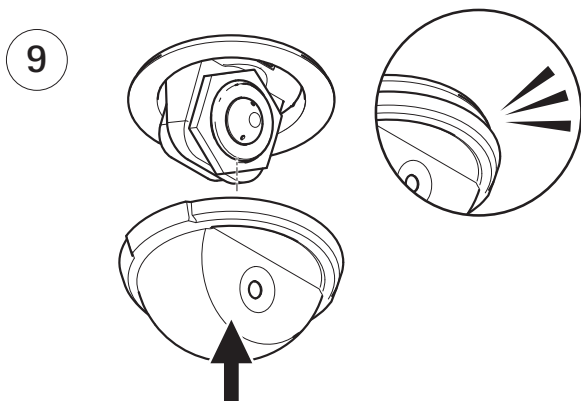
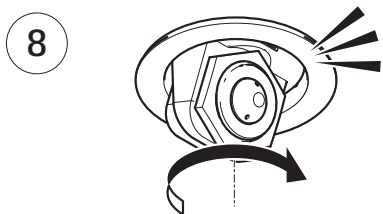
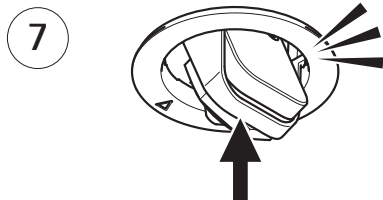


5

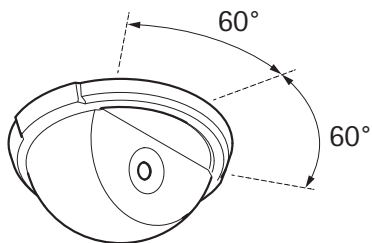


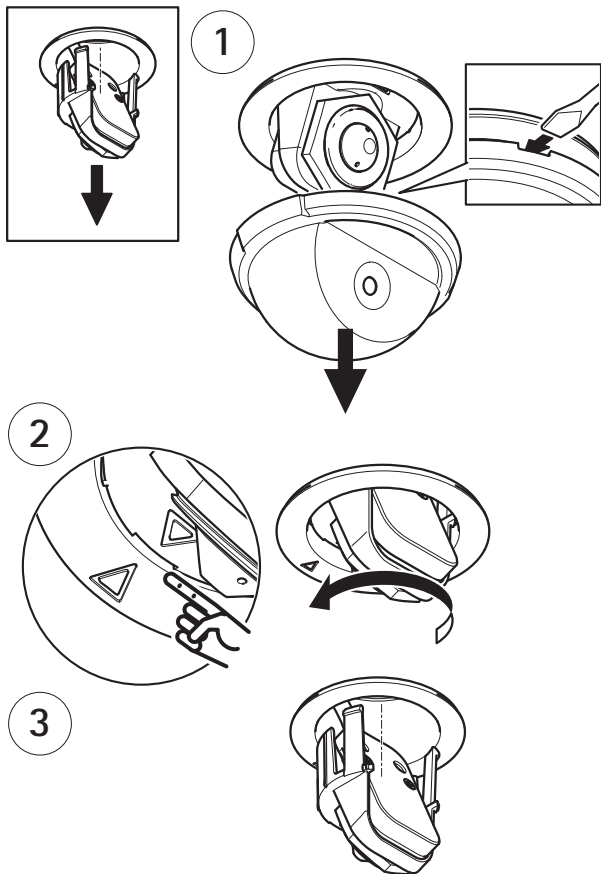
6





10





Installation Guide

AXIS F8225 Pinhole Accessory

© Axis Communications AB, 2015

Ver.1.0

Printed: February 2015

Part No. 61707